

EQCD-020-06.00-TED-SED-1

EQCD-040-40.00-TTL-STR-2

0,80mm DATA RATE CABLE EQCD SERIES

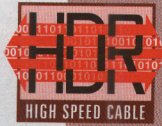
SPECIFICATIONS

For complete specifications see www.samtec.com?EQCD



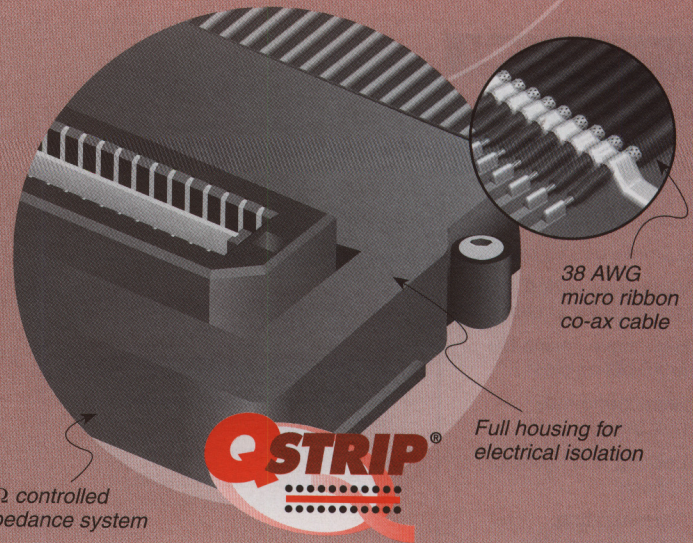
- 38 AWG micro ribbon co-ax cable
- Single-ended routing
- 0,8mm (.0315") pitch
- Vertical and edge mount terminations to cable
- High cable flexing life (> 40,000 cycles)
- Small bend radii (< 2.5mm)
- Locking and latching options
- Current rating: 300 milliamp max
- Temp range: -25°C to +105°C
- Propagation delay: 4.50 nsec/meter
- 50Ω single ended co-ax
- Interactive cable builder: www.samtec.com/cable_builder/pitch.asp

Mates with:
QTE, QSE



APPLICATION SPECIFIC

- Other sizes
- Other wire AWG
- Other terminations
- E-mail: dr@samtec.com



38 AWG micro ribbon co-ax cable

Full housing for electrical isolation

50Ω controlled impedance system



-020, -040, -060, -080
(Call for other sizes)

-"XX.XX"
= Wire Length in Inches
(152mm) 06.00" to (1m) 40.00"

Specify END ASSEMBLIES from chart

- 1** = Pin 1 to Pin 1
- 2** = Pin 1 to Pin 2
- 3** = Pin 1 to Second Last Pin
- 4** = Pin 1 to Last Pin

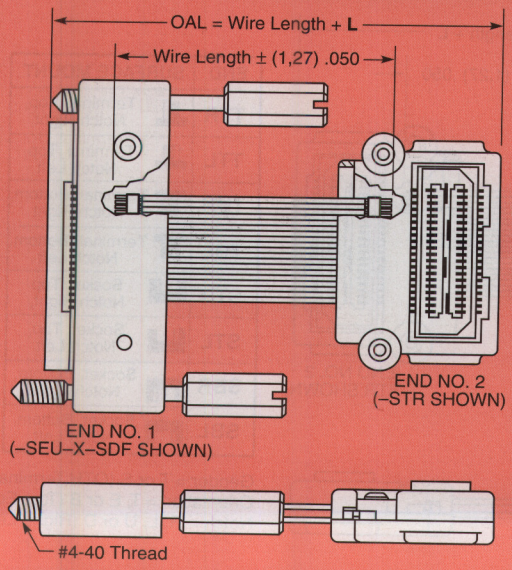
- SDF** = End No. 1
- SDS** = End No. 2
- SDB** = Both Ends

END	SURFACE MOUNT
TTR	Terminal, Top, Notch Top
TTL	Terminal, Top, Notch Left
TBR	Terminal, Bottom, Notch Right
TBL	Terminal, Bottom, Notch Left
STR	Socket, Top Notch Right
STL	Socket, Top, Notch Left
SBR	Socket, Bottom, Notch Right
SBL	Socket, Bottom, Notch Left

END	EDGE MOUNT
TEU	Terminal, Edge, Notch Up
TED	Terminal, Edge, Notch Down
SEU	Socket, Edge, Notch Up
SED	Socket, Edge, Notch Down

Gender = T or S (QTE Terminal or QSE Socket)
Orientation = T, E or B (Top, Edge or Bottom)
Notch = R, L, U or D (Right, Left, Up or Down)

END TO END	L
Surface Mount to Surface Mount	(23,88) .940
Surface Mount to Edge Mount (Terminal)	(21,08) .830
Surface Mount to Edge Mount (Socket)	(20,35) .801
Edge Mount (Terminal) to Edge Mount (Terminal)	(18,29) .720
Edge Mount (Terminal) to Edge Mount (Socket)	(17,55) .691
Edge Mount (Socket) to Edge Mount (Socket)	(16,81) .662



Note: This Series is non-standard, non-returnable.

Due to technical progress, all designs, specifications and components are subject to change without notice.

WWW.SAMTEC.COM