

8

7

6

5

4

3

DRW NO. C966-4NOE-500 SH 1 REV A

ZONE	REV	SCR NUMBER	DESCRIPTION	BY	DATE	APPROVED
ALL	A	AASY-7VHREE.VER01	NEW RELEASE	HCL-RK	09/24/2009	D.SMITH

9 6 6 - 4 X 0 E - X X X

4 PAIR

8-POSITION

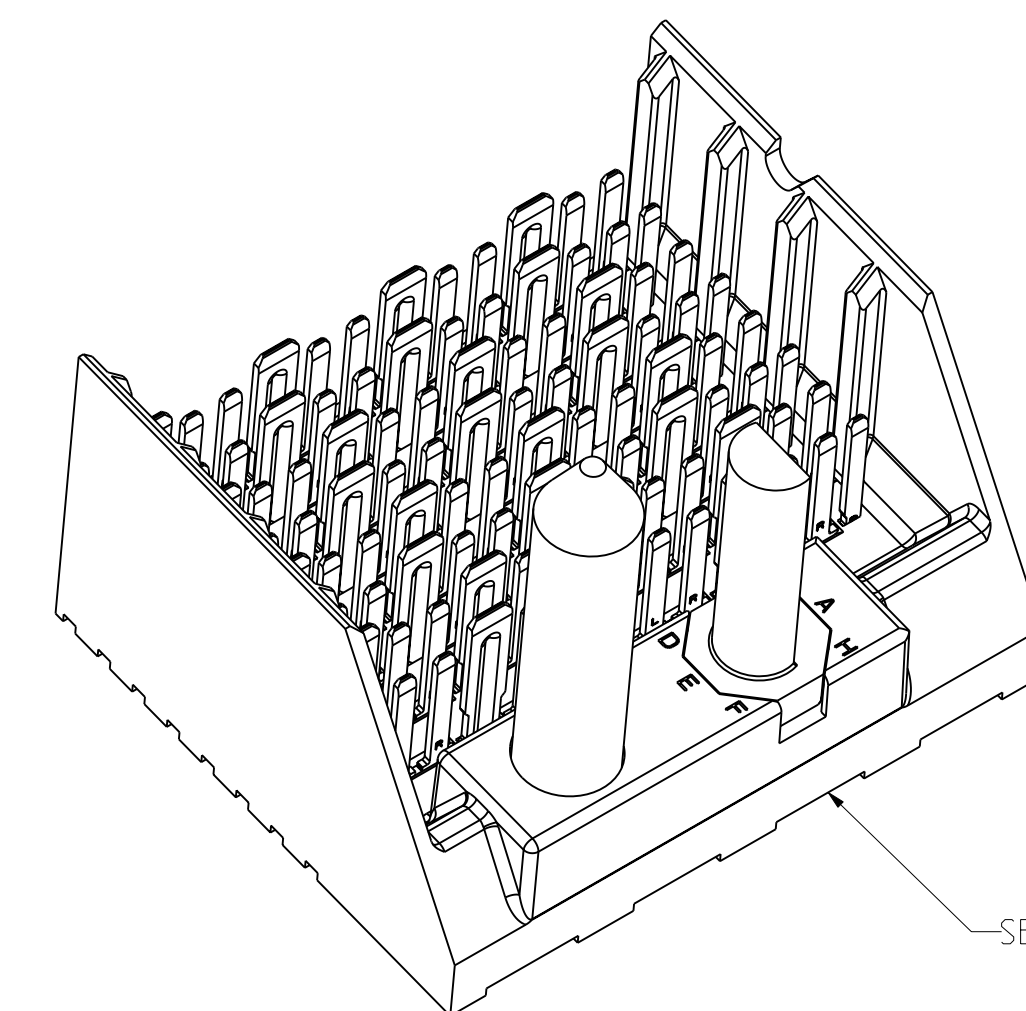
XCede BACKPLANE MODULE MALE STANDARD LOAD, POLARIZING STACKER

LETTER	PLATING
B	30 MICROINCH GOLD
C	50 MICROINCH GOLD
D	30 MICROINCH GOLD, LEADFREE
E	50 MICROINCH GOLD, LEADFREE

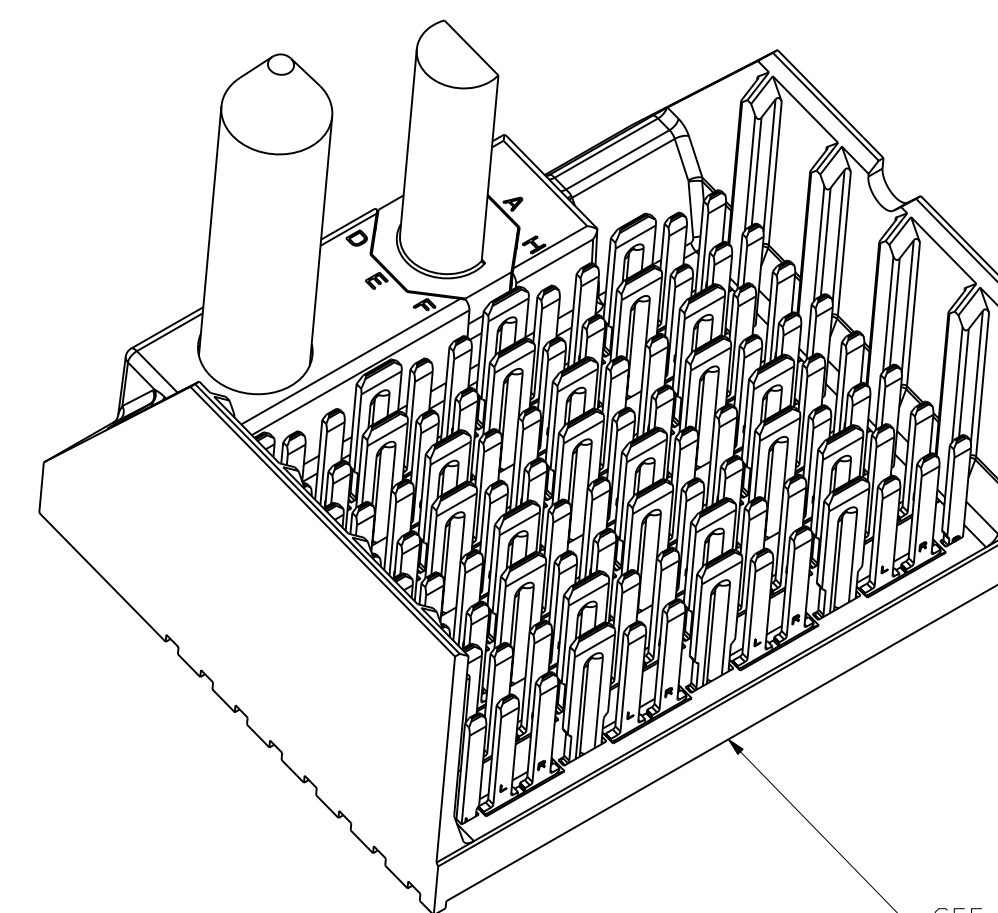
NUMBER	PIN STYLE, HEIGHT
2	STACKER GUIDE PIN MACHINED, 21.6mm
3	STACKER GUIDE PIN ROLLED, 21.6mm

	LETTER									
LEFT POLARIZING GUIDANCE (SEE SHEET 2)	N	J (NO KEY)	A	B	C	D	E	F	G	H
	NO KEY NO GUIDE PIN									
RIGHT POLARIZING GUIDANCE (SEE SHEET 3)	Z	Y (NO KEY)	P	Q	R	S	T	U	V	W
	NO KEY NO GUIDE PIN									

NUMBER	SIGNAL & LG. GROUND WIPE LENGTH, COMPLIANT PIN SIZE
1	2 mm WIPE SIGNAL, 4 mm WIPE LG GND, Ø0.0217" DRILL
2	3 mm WIPE SIGNAL, 4 mm WIPE LG GND, Ø0.0217" DRILL
3	2 mm WIPE SIGNAL, 4 mm WIPE LG GND, Ø0.0177" DRILL
4	3 mm WIPE SIGNAL, 4 mm WIPE LG GND, Ø0.0177" DRILL
5	2 mm WIPE SIGNAL, 3 mm WIPE LG GND, Ø0.0217" DRILL
6	3 mm WIPE SIGNAL, 3 mm WIPE LG GND, Ø0.0217" DRILL
7	2 mm WIPE SIGNAL, 3 mm WIPE LG GND, Ø0.0177" DRILL
8	3 mm WIPE SIGNAL, 3 mm WIPE LG GND, Ø0.0177" DRILL



SEE SHEET 3



SEE SHEET 2

NOTES:

- REFER TO TB-2150 FOR XCede PRODUCT SPECIFICATIONS.
- NOTCH DESIGNATES "ROW A" SIDE OF SHROUD. NOTCH FEATURE ON OPPOSITE SIDE FROM PART MARKING.
- PART MARKING AS FOLLOWS:
 LINE 1: "ATCS" AND DATECODE (ATCS YYWW).
 LINE 2: MODULE PART NUMBER (966-####-###).
 LINE 3: WORK ORDER NUMBER (#####).
 WHERE "*" DENOTES MANUFACTURING LOCATION.
- PLATING THICKNESS OF SIGNAL CONTACT AND GROUND CONTACT IS DETERMINED BY PLATING CODE. SEE PART NUMBER TREE SHEET 1.
- REPAIR PROCEDURE FOR MODULE. SEE TB-2210.
- SEE TB-2149 FOR ROUTING GUIDELINES & PTH REQ'S.
- SEE DOC C190-1001-000 FOR TOOLING KEEPOUT ZONES.
- BACKPLANE DATUM REFERENCE.
- OPTIONAL HOLE/MOUNTING SCREW LOCATION FOR GROUNDED PIN OR ADDITIONAL GUIDE PIN SUPPORT.
 REFER TO TB-2211 FOR PROPER GUIDE PIN SELECTION AND DRAWING C942-4010-000 FOR OPTIONAL HOLE DETAILS.
 ONLY APPLIES FOR MACHINED GUIDE PIN APPLICATIONS.
- DIMENSIONS APPLY FOR BOTH COMPLIANT PIN SIZES.

TOLERANCES	DESIGN 08/18/2009 A.ASTBURY	Amphenol TCS A Division of Amphenol Corporation 200 Innovative Way, Nashua, NH 03062 603.879.3000	TITLE	BACKPLANE MODULES, VERTICAL MALE HEADER XCede, 4 PAIR 8 POSITION POLARIZING STACKER
0.0 ±0.25	DRAWN 08/18/2009 HCL-RB		PART NO.	SEE PN TREE SHEET 1
0.00 ±0.13	CHK 08/18/2009 A.ASTBURY		DRAWING NO.	C966-4NOE-500
0.000 ± -	APVD 08/18/2009 A.ASTBURY		PROJ. TYPE	C966-4--BPA-BWAF
ANGLES ± 3°	UNLESS OTHERWISE SPECIFIED DIMENSIONS ARE IN MM. DECIMAL MARKER IS A PERIOD.		PROJ. DRAWING	C966-4NOE-500-BPA-MODULES-BWAF
 INTERPRET PER ASME Y14.5M CODE IDENT 31413		CUSTOMER USE DRAWING		SCALE 4/1 SHEET 1 OF 4

DRW NO. C966-4NOE-500

SH 1 REV A

8

7

6

5

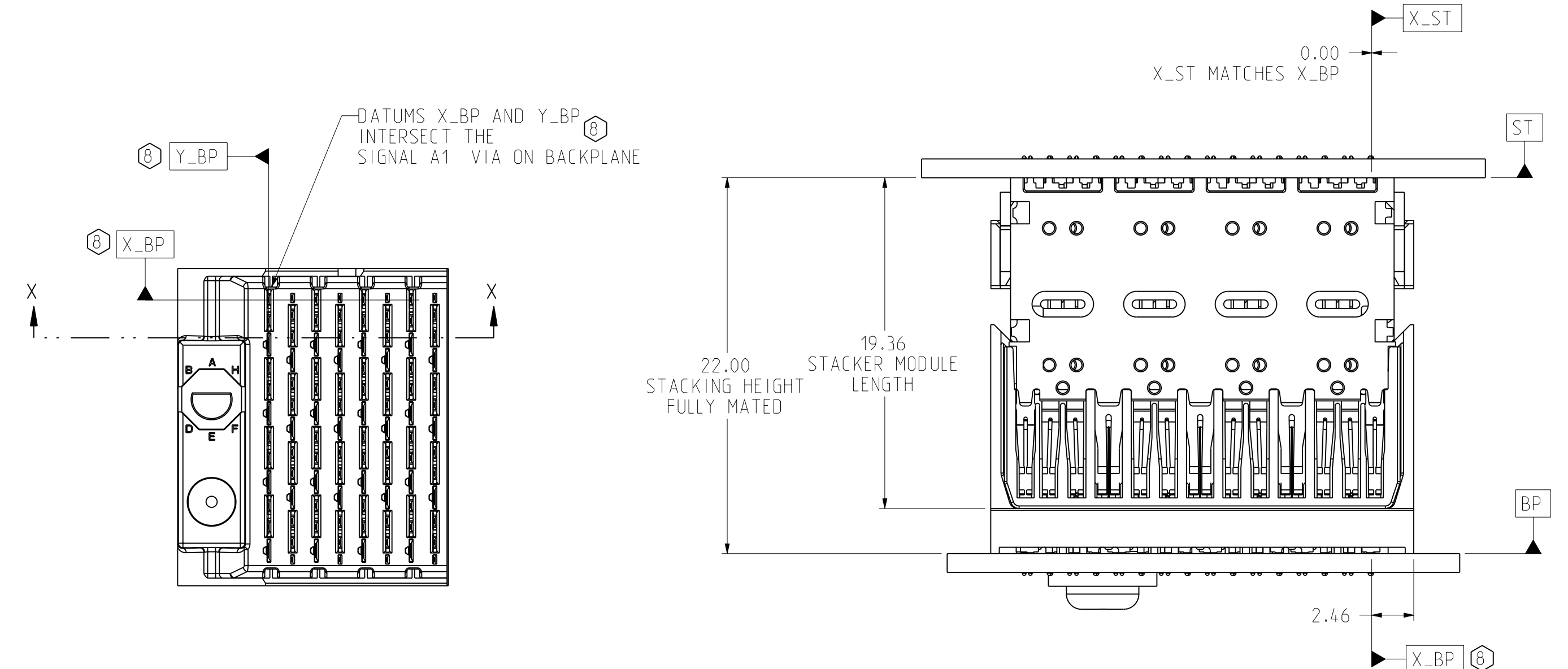
4

3

2

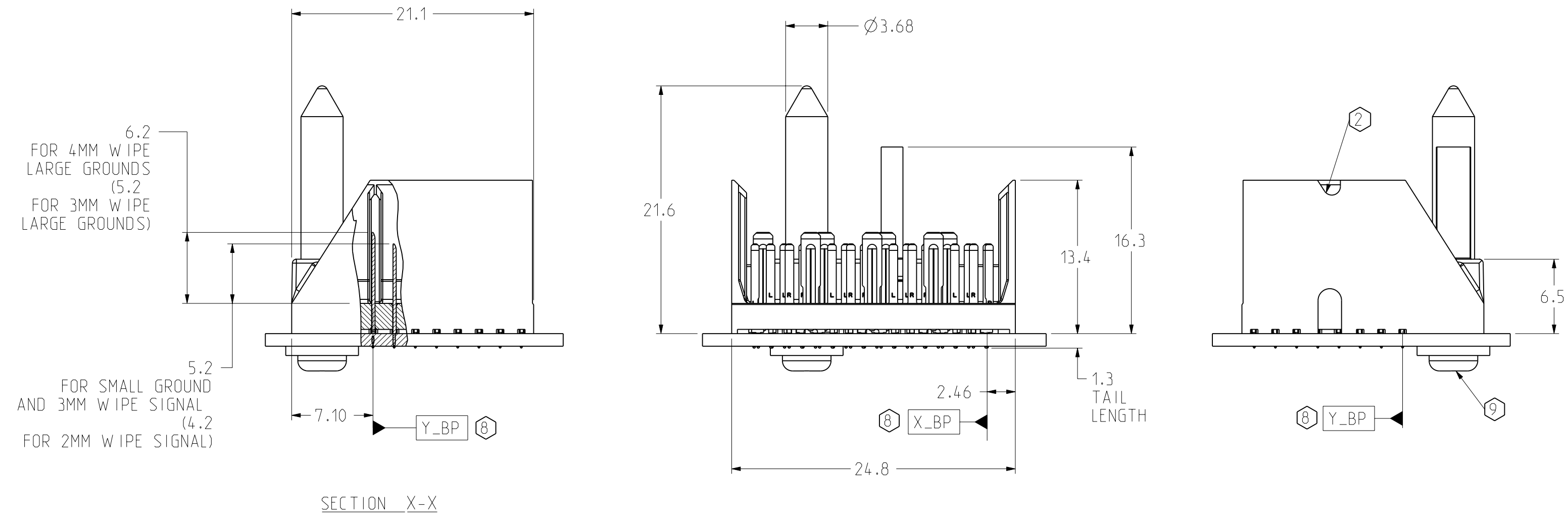
1

DRW NO.	C966-4NOE-500	SH	2	REV	A	
ZONE	REV	SCR NUMBER	DESCRIPTION	BY	DATE	APPROVED
			SEE SHEET 1			

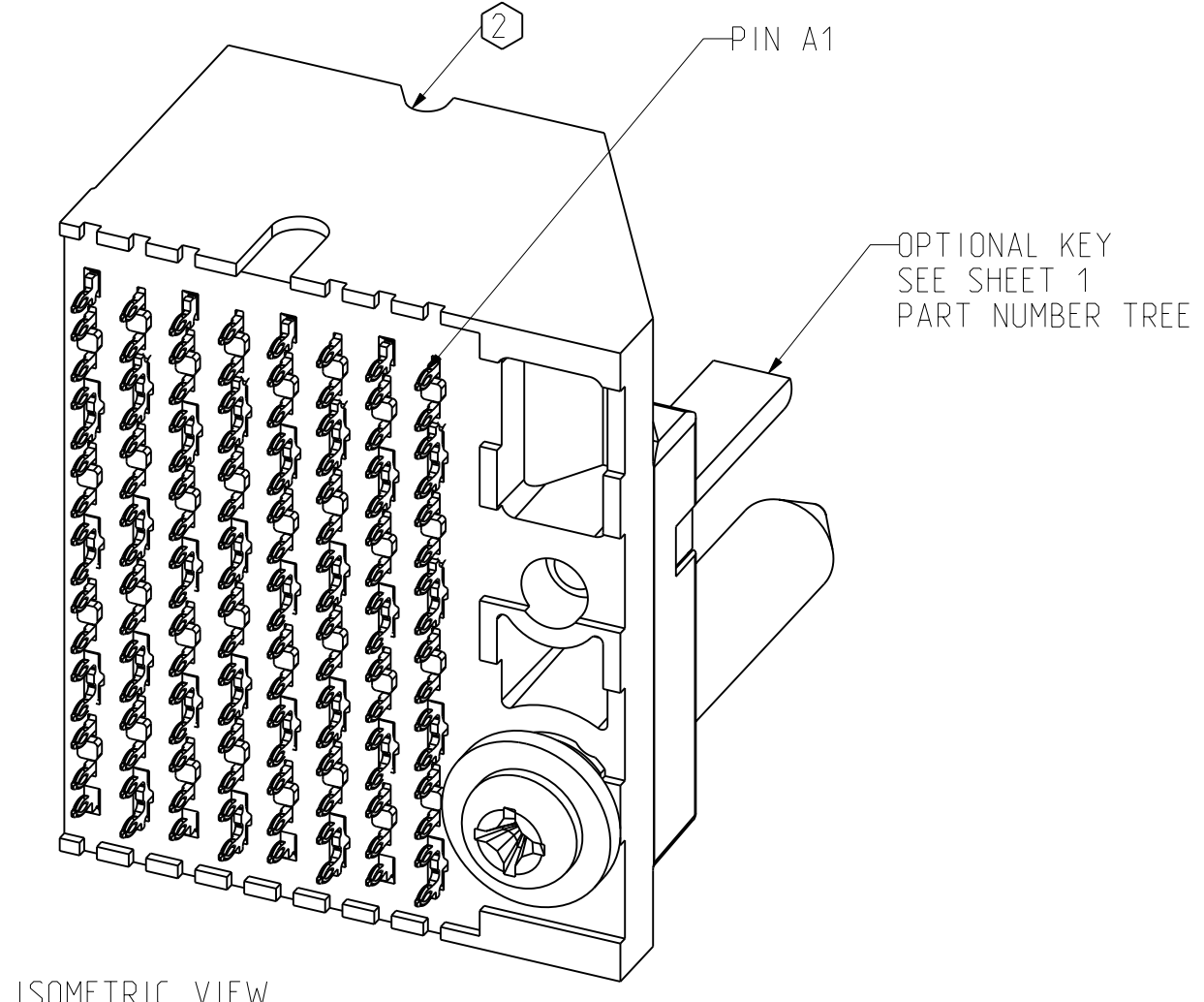


LEFT POLARIZING/GUIDE STACKER
BACKPLANE MODULE DIMENSION

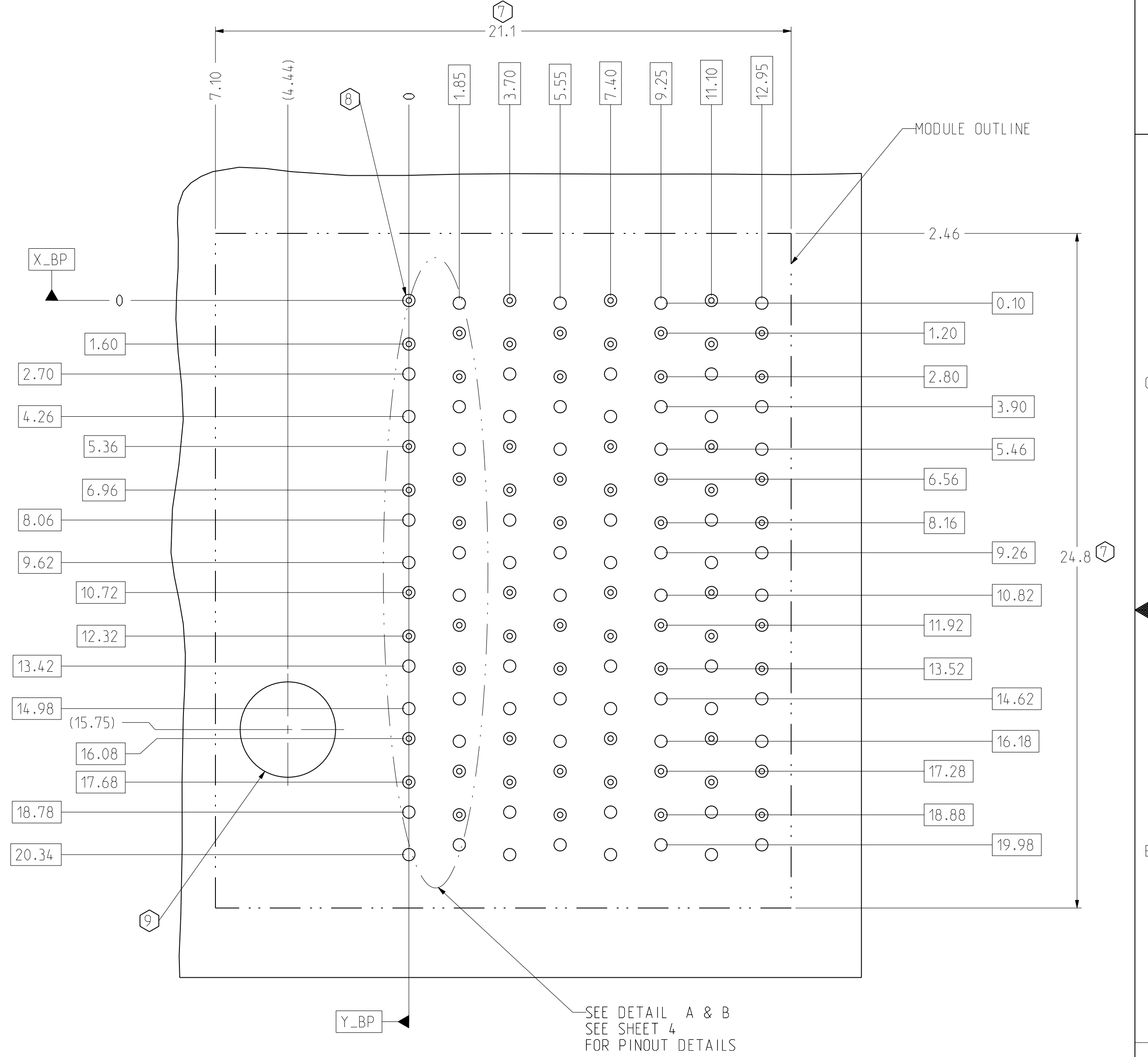
CONNECTOR REFERENCE
SCALE 4/1



SECTION X-X



ISOMETRIC VIEW
SCALE 4/1



BP HOLE PATTERN
COMPONENT SIDE
SCALE 8/1

LEFT POLARIZING/GUIDE STACKER
BACKPLANE FOOTPRINT

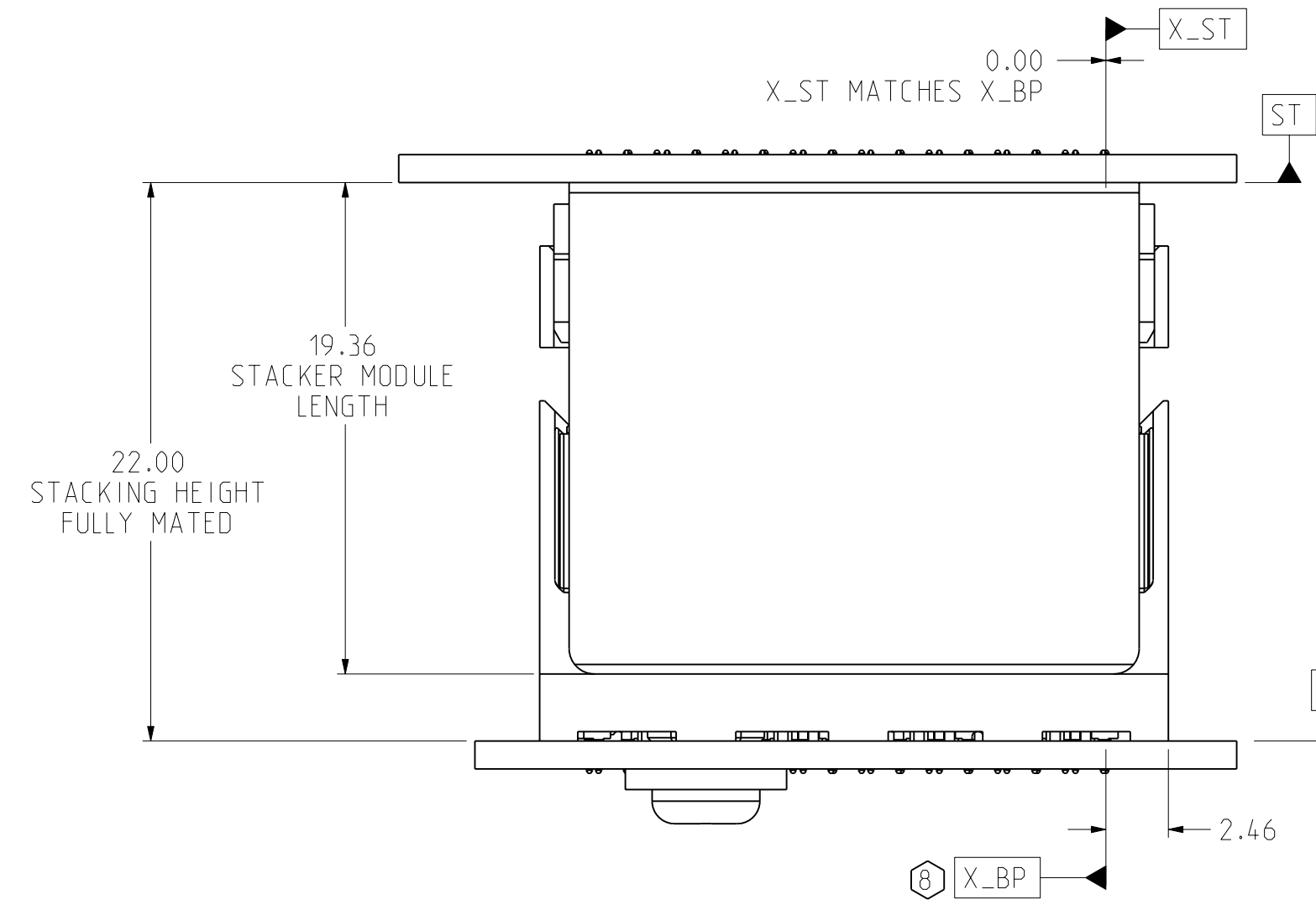
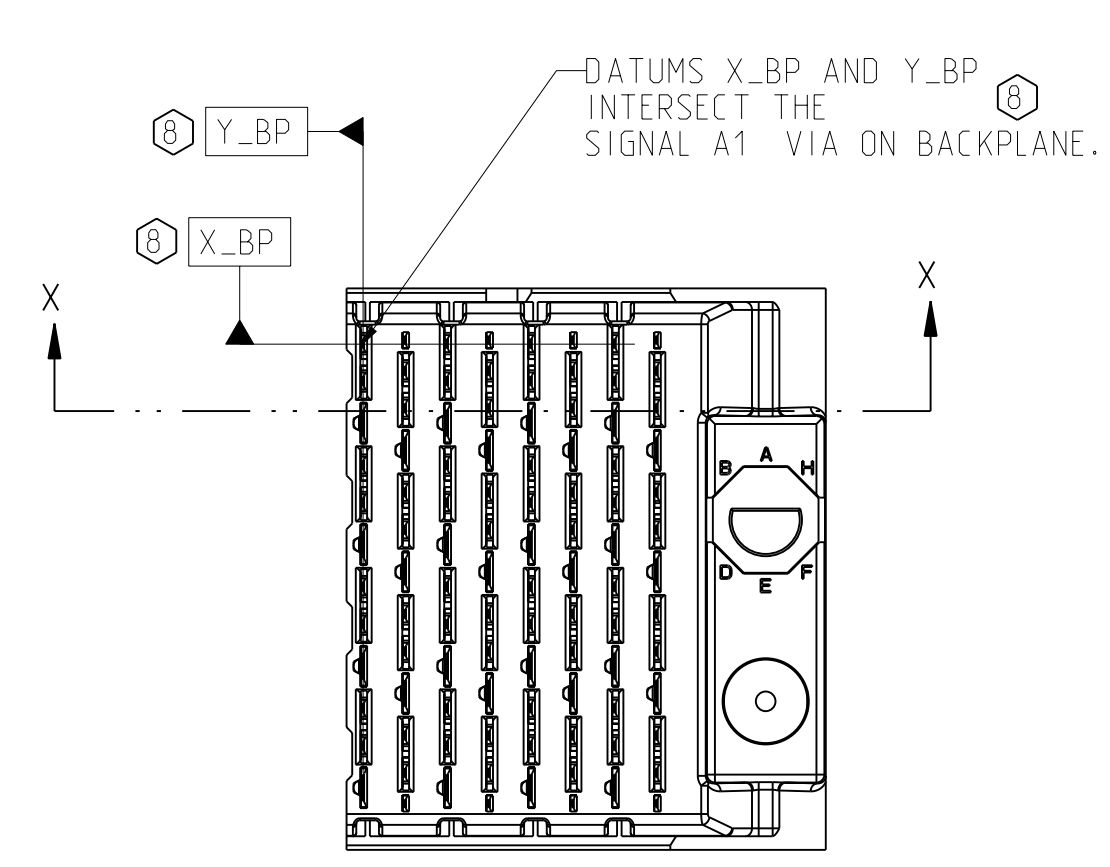
TOLERANCES	DESIGN 08/18/2009 A.ASTBURY	Amphenol TCS A Division of Amphenol Corporation 200 Innovative Way, Nashua, NH 03062 603.879.3000	TITLE	BACKPLANE MODULES, VERTICAL MALE HEADER Xcde. 4 PAIR B POSITION POLARIZING STACKER
0.0 ±0.25	DRAWN 08/18/2009 HCL-RB		PART NO.	SEE PN TREE SHEET 1
0.00 ±0.13	CHK 08/18/2009 A.ASTBURY		REV	A
0.000 ± -	APVD 08/18/2009 A.ASTBURY		DRAWING NO.	C966-4NOE-500
ANGLES ± 3°			PROJ. TYPE	C966-4--BP4-BW AF
UNLESS OTHERWISE SPECIFIED DIMENSIONS ARE IN MM. DECIMAL MARKER IS A PERIOD.			PROJ. DRAWING	C966-4NOE-500-BP4-MODULES-BW AF
INTERPRET PER ASME Y14.5M CODE IDENT 31413		CUSTOMER USE DRAWING		SIZE D SCALE 3/1 SHEET 2 OF 4

DRW NO.
C966-4NOE-500

SH
2

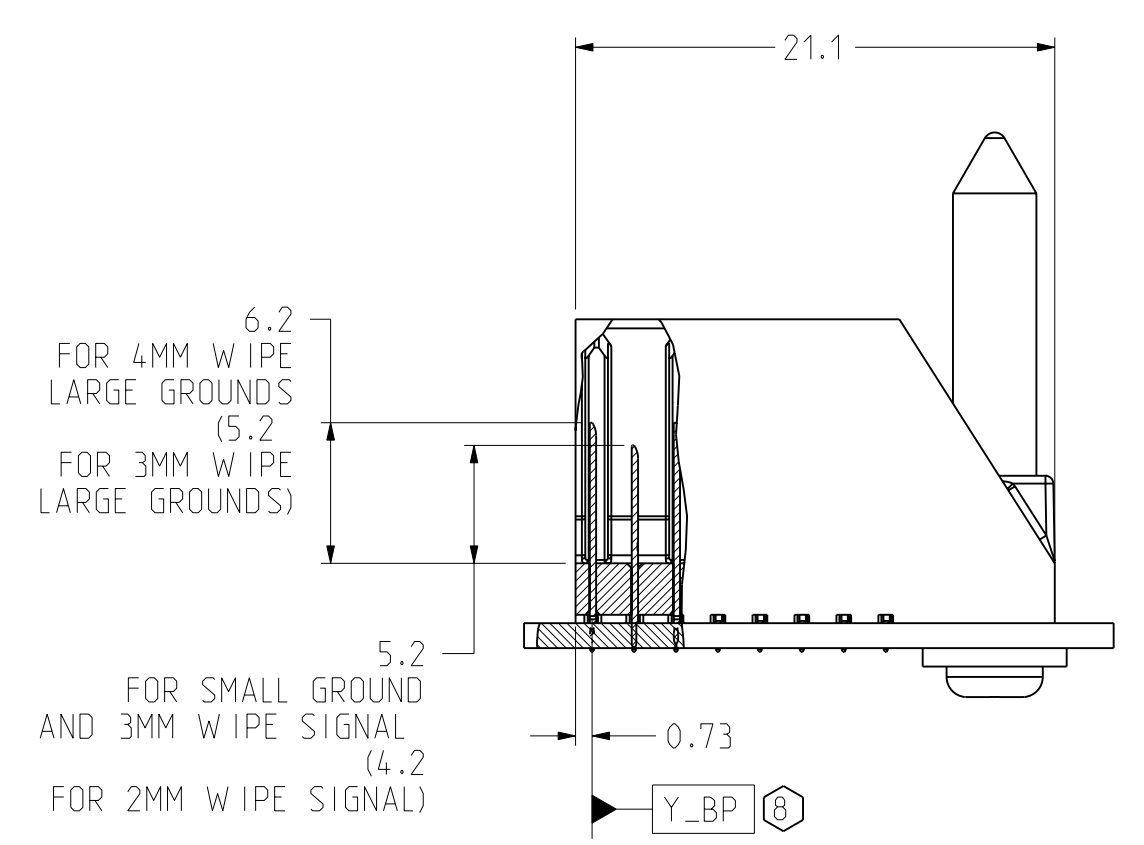
REV
A

ZONE	REV	SCR NUMBER	DESCRIPTION	BY	DATE	APPROVED
			SEE SHEET 1			

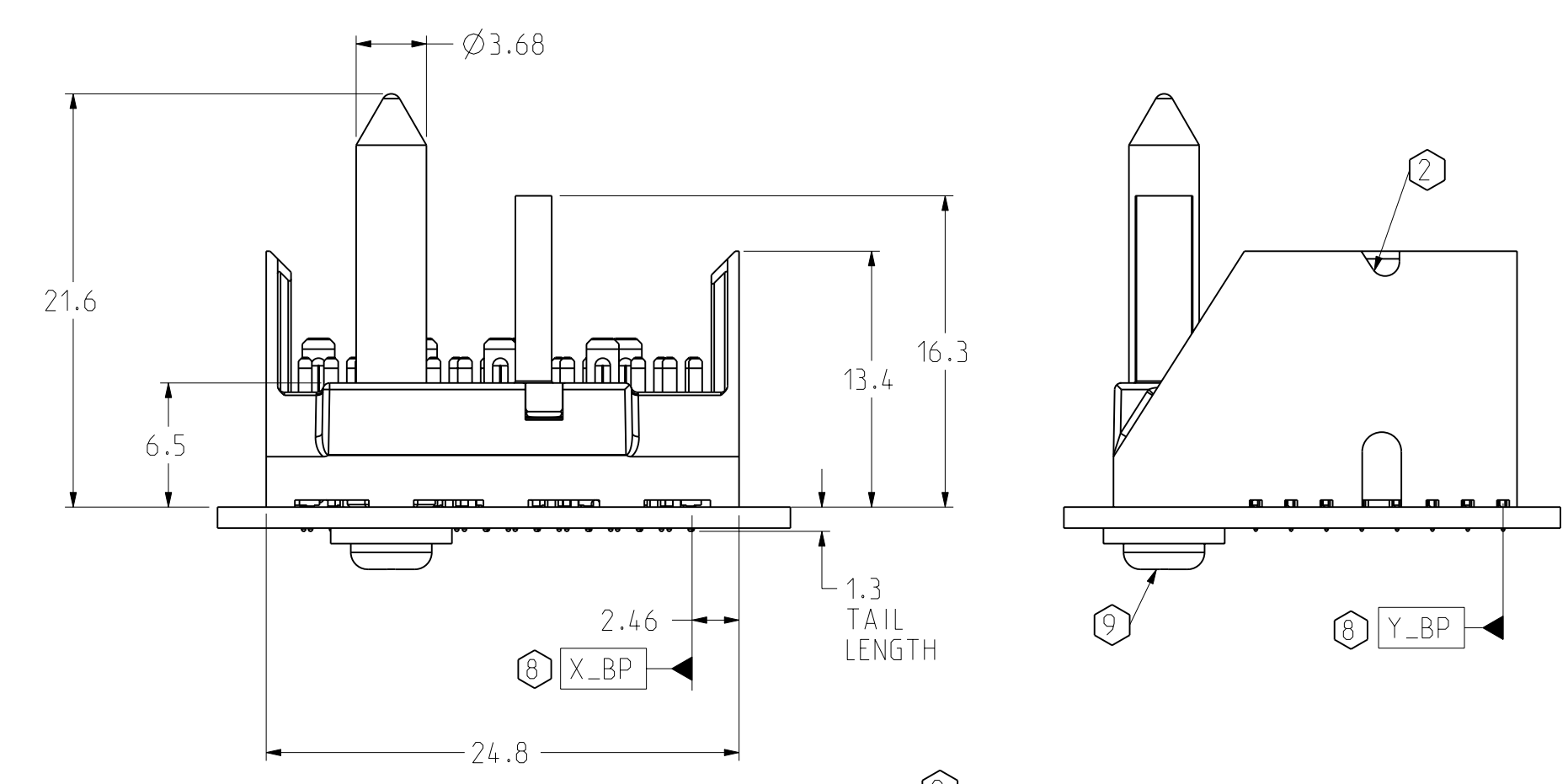


RIGHT POLARIZING/GUIDE STACKER BACKPLANE MODULE DIMENSION

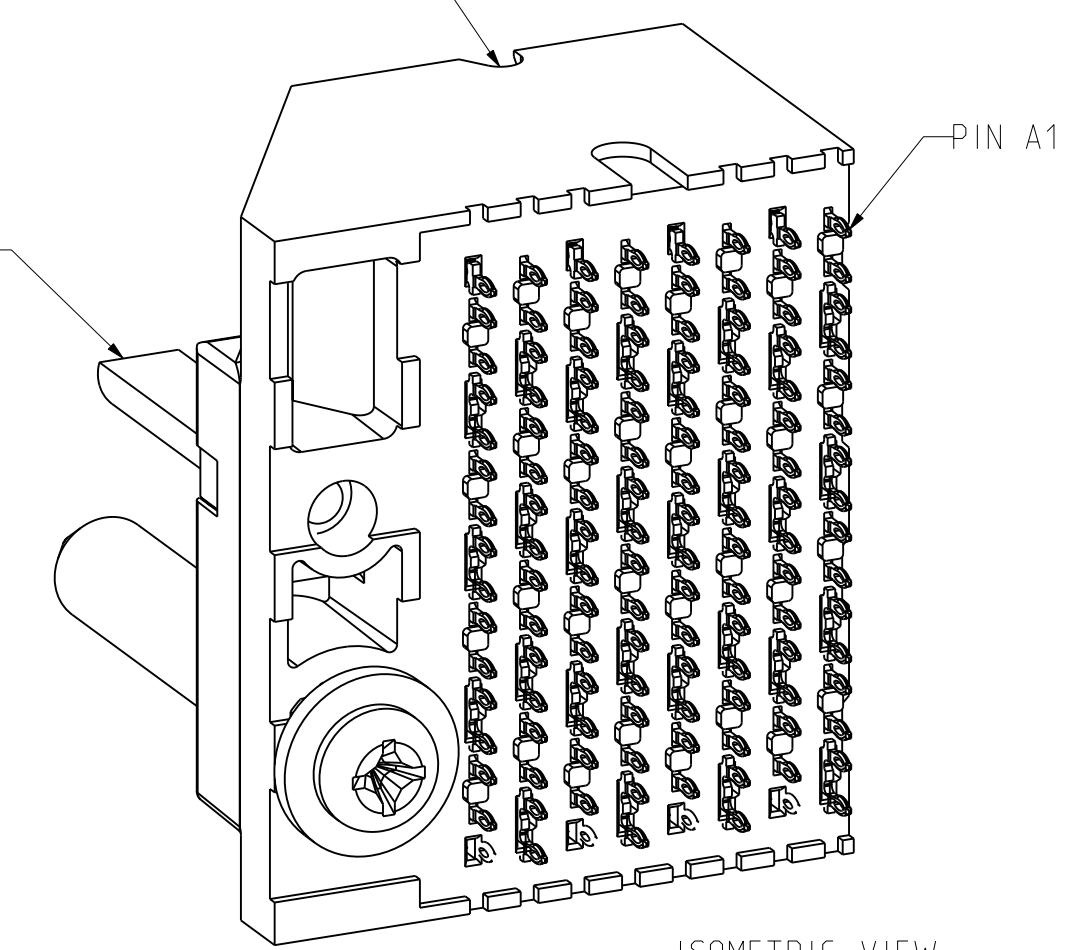
CONNECTOR REFERENCE SCALE 4/1



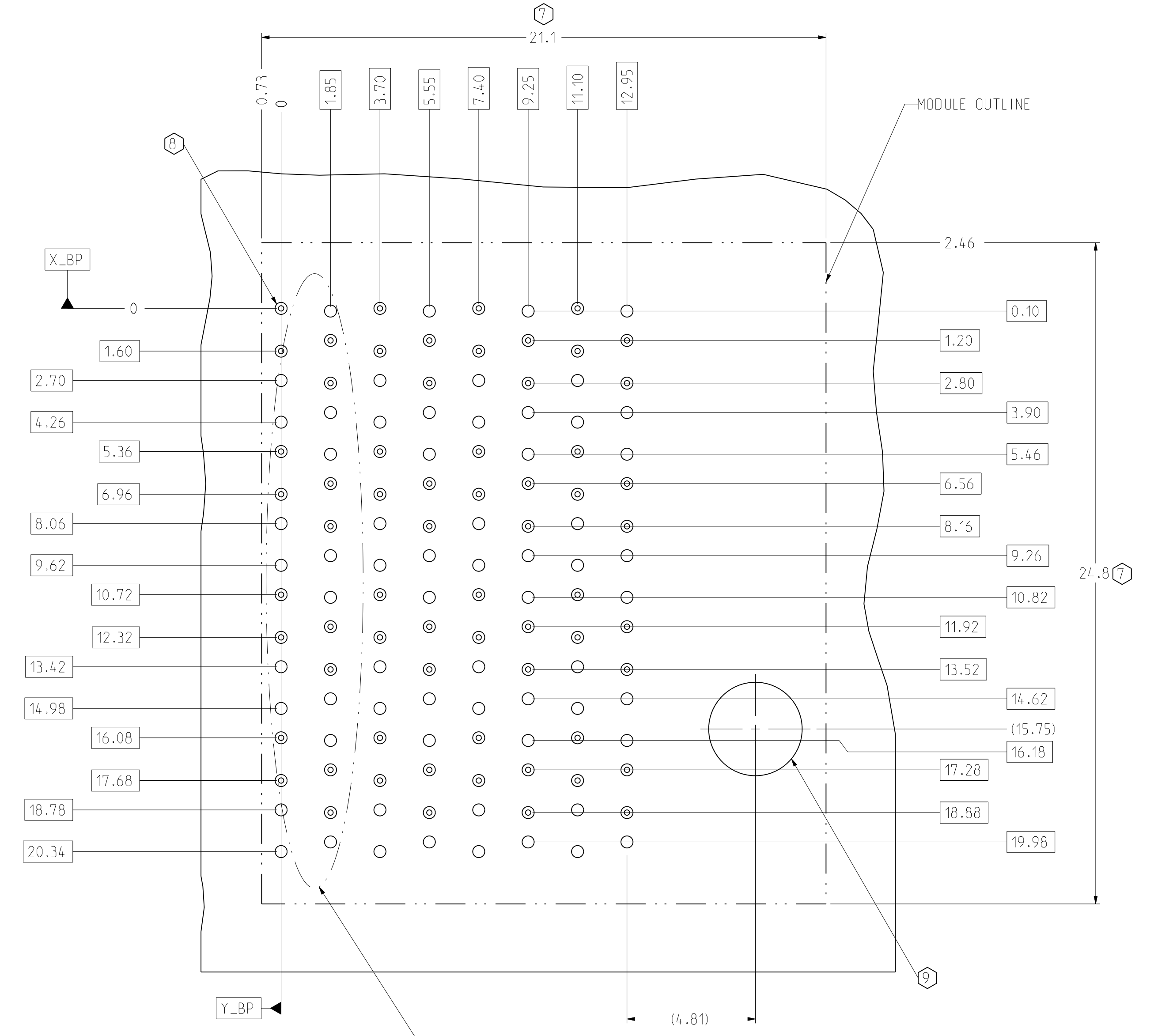
SECTION X-X



OPTIONAL KEY SEE SHEET 1 PART NUMBER TREE



ISOMETRIC VIEW SCALE 4/1



SEE DETAIL A & B SEE SHEET 4 FOR PINOUT DETAILS

BP HOLE PATTERN COMPONENT SIDE SCALE 8/1

RIGHT POLARIZING/GUIDE STACKER BACKPLANE FOOTPRINT

TOLERANCES		DESIGN 08/18/2009	Amphenol TCS	
0.0	±0.25	A.ASTBURY	A Division of Amphenol Corporation	
0.00	±0.13	HCL-RB	200 Innovative Way, Nashua, NH 03062 603.879.3000	
0.000	± -	A.ASTBURY	TITLE BACKPLANE MODULES, VERTICAL MALE HEADER Xcde. 4 PAIR 8 POSITION POLARIZING STACKER	
ANGLES	± 3°	A.ASTBURY	PART NO.	SEE PN TREE SHEET 1
UNLESS OTHERWISE SPECIFIED DIMENSIONS ARE IN MM. DECIMAL MARKER IS A PERIOD			DRAWING NO.	C966-4NOE-500
CUSTOMER USE DRAWING			PRO/E TYPE: C966-4--BP4-BWAF	1.0
			PRO/E DRAWING: C966-4NOE-500-BP4-MODULES-BWAF	1.3
SIZE	D	SCALE	3/1	SHEET 3 OF 4

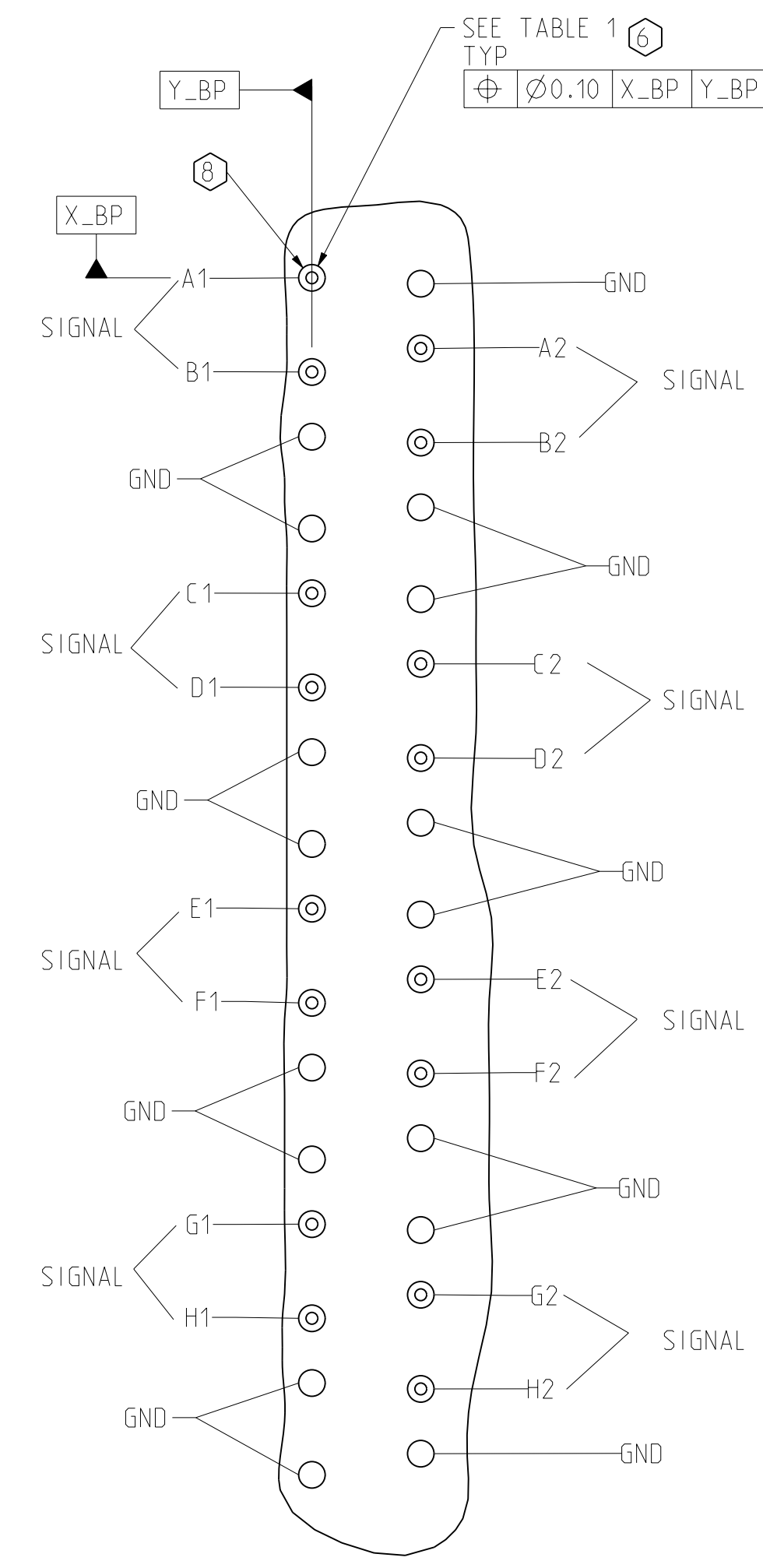
INTERPRET PER ASME Y14.5M CODE IDENT 314.13

DRW NO. C966-4NOE-500

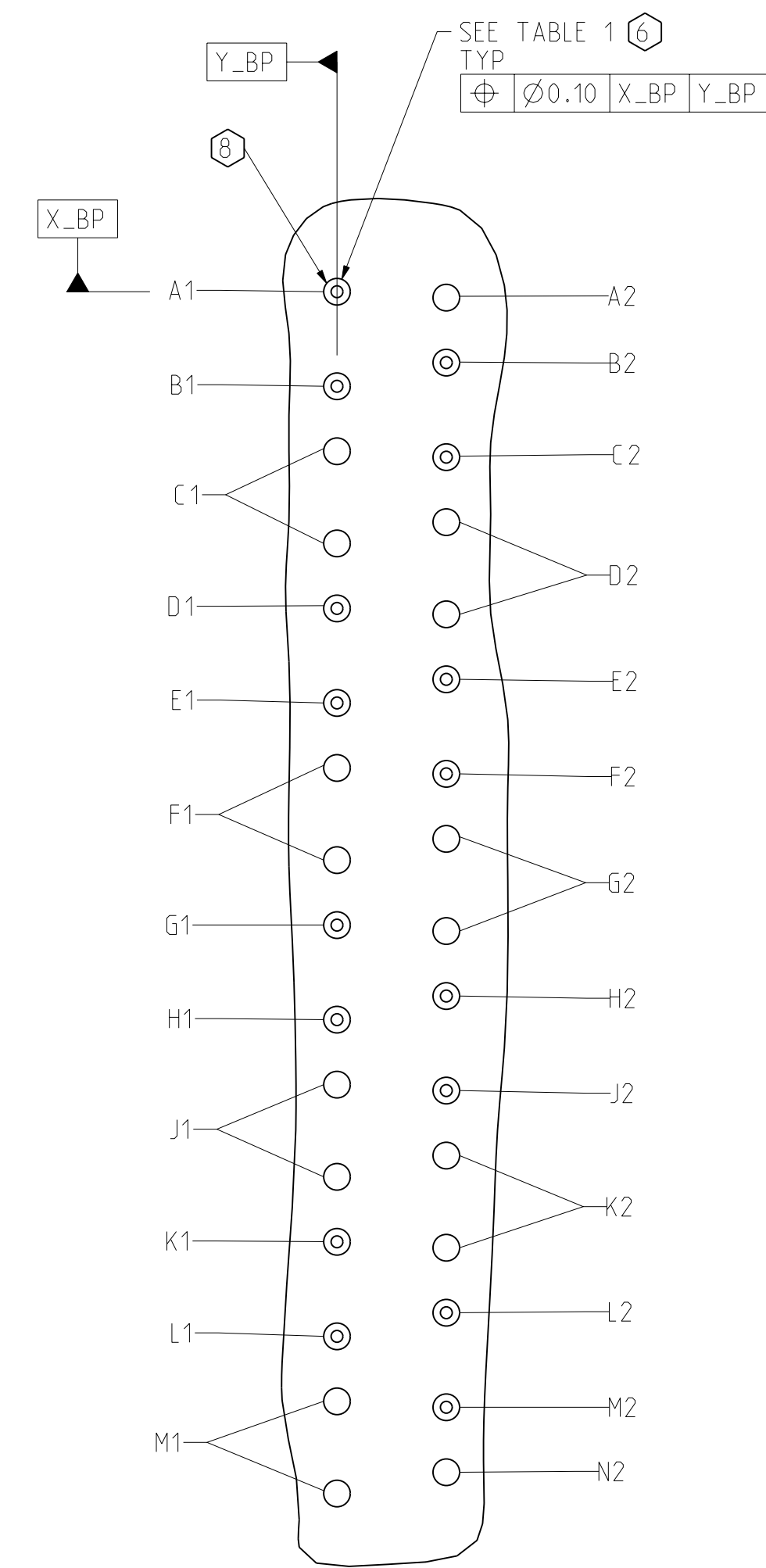
SH 3 REV A

ZONE	REV	SCR NUMBER	DESCRIPTION	BY	DATE	APPROVED
			SEE SHEET 1			

	COMPLIANT PIN DRILL $\varnothing 0.0217''$	COMPLIANT PIN DRILL $\varnothing 0.0177''$
PTH	$\varnothing 0.45 \pm 0.05$	$\varnothing 0.35 \pm 0.05$
DRILL	$\varnothing 0.55$ 10.0217*1	$\varnothing 0.45$ [0.0177*1]
PAD	$\varnothing 0.85$	$\varnothing 0.75$



DETAIL A
HSD PINOUTS
SCALE 10/1



DETAIL B
LC PINOUTS
SCALE 10/1

TOLERANCES		DESIGN 08/18/2009 A.ASTBURY	Amphenol TCS A Division of Amphenol Corporation 200 Innovative Way, Nashua, NH 03062 603.879.3000	TITLE BACKPLANE MODULES, VERTICAL MALE HEADER Xcde, 4 PAIR 8 POSITION POLARIZING STACKER
0.0	± 0.25	DRAWN 08/18/2009 HCL-RB		
0.00	± 0.13	CHK 08/18/2009 A.ASTBURY		
0.000	$\pm -$	APVD 08/18/2009 A.ASTBURY		
ANGLES	$\pm 3^\circ$	PART NO. SEE PN TREE SHEET 1		REV
UNLESS OTHERWISE SPECIFIED DIMENSIONS ARE IN MM. DECIMAL MARKER IS A PERIOD.			DRAWING NO. C966-4NOE-500	
CUSTOMER USE DRAWING			REV A	
			Pro/E Type: C966-4--BP4-BW AF Pro/E DRAWING: C966-4NOE-500-BP4-MODULES-BW AF	
INTERPRET PER ASME Y14.5M CODE IDENT 31413		SIZE D	SCALE 3/1	SHEET 4 OF 4

C966-4NOE-500

SH 4
REV A