

DIAMOND

Fiber Optic Components

The unique, user-friendly features of the Diamond **E-2000™** connector, coupled with its rapid and enthusiastic worldwide acceptance, have prompted the development of a duplex version of this product.

The **E-2000™** Duplex connector is a natural extension of the current product.

Through the use of a simple clip-bridge and an extended thumb-latch, it offers the same renowned performance and stability as the single fiber version.

Furthermore, it uses common components and can be terminated using existing tooling.

E-2000™ DUPLEX

SINGLE MODE/
MULTIMODE

E-2146.6/E-2156.6

SINGLE MODE APC

E-2148.6



SINGLE MODE APC

Type designation:

E-2148.6

Ferrule material:

Zirconia/copper-nickel alloy insert (Pilzferrule)

External parts:

Plastic (green)

Polish geometry:

8° angled (APC)

Dimensions Fiber/Cable	Order Number			
	Unterminated connector		Terminated assembly	
9/125/900	- 000 - 001 L 000	- xxx - 001 L xxx	1	2
9/125/900/3000/6500	- 000 - 004 L 000	- xxx - 054 L xxx	3	4

Thumb-latch	green	blue	black	red	orange	yellow	white	violet
Order No.	305	315	325	335	345	355	365	375

Connectors for other fiber and cable dimensions available upon request.

MATING ADAPTER

Type designation:

E-2210.2-***

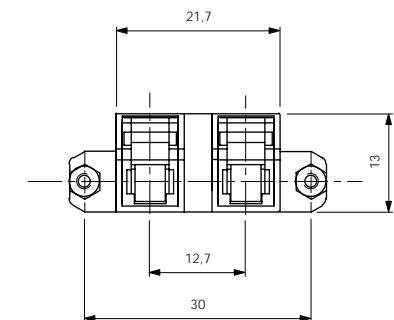
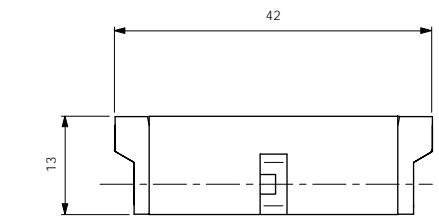
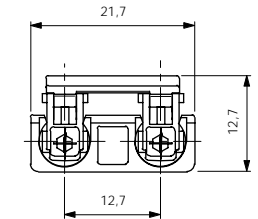
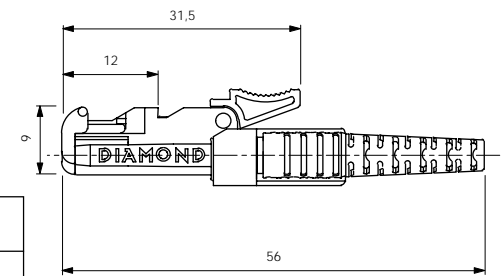
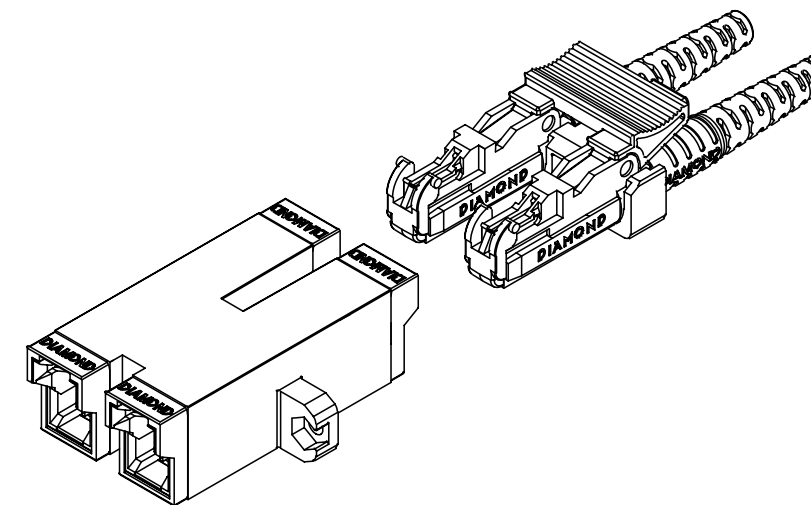
Mating sleeve:

Zirconia

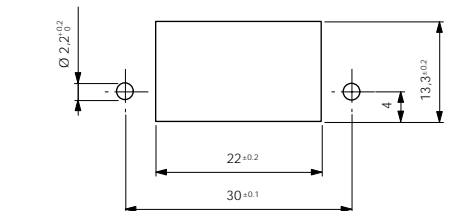
External parts:

Plastic green

Frame color	Order Number	Frame color	Order Number
Blue	165 - 301 - 905 V 211	Orange	165 - 301 - 905 V 255
Green	165 - 301 - 905 V 222	Yellow	165 - 301 - 905 V 266
Black	165 - 301 - 905 V 233	White	165 - 301 - 905 V 277
Red	165 - 301 - 905 V 244	Violet	165 - 301 - 905 V 288



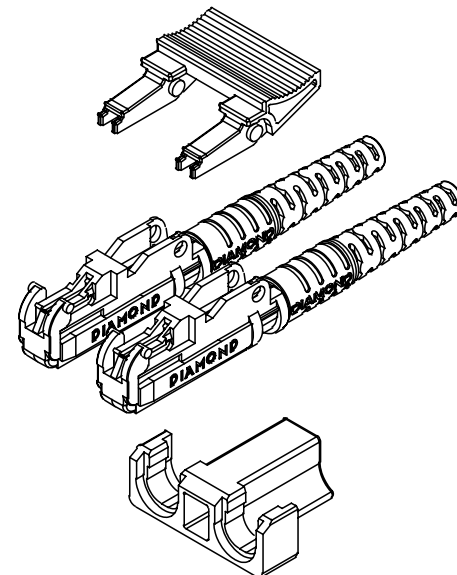
MOUNTING INSTRUCTIONS



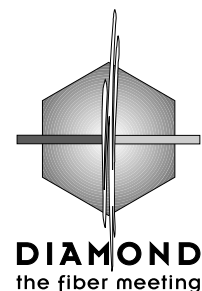
Max wall thickness 2 mm

Similar to single fibre the E-2000™ Duplex features the following highlights:

- Injection molded housing (UL 94 V0 flammability rating)
- Positive latching mechanism with interchangeable, color-coded thumb-latch
- Spring-loaded shutters
- Integrated protective caps
- Guiding tracks
- Interchangeable color-coded mating adapter frames
- Compact, rectangular footprint; push-pull design
- Existing components can be upgraded to duplex through the use of a simple clip-bridge and an extended thumb-latch
- Two-component ferrule



The **E-2000™** Duplex connector is available in multimode, single mode convex polished (PC) and 8° angle polished (APC) version.



DIAMOND SA
Via dei Patrizi 5
CH-6616 LOSONE
Tel. ++41-91/785 45 45
Fax ++41-91/785 45 00
e-mail: info@diamond-fo.com

Specifications subject to change
without notice

002-037-210P002100

Specifications:

	Multimode	Single mode	Single mode 8° APC	Single mode 0.1 dB	Units	Test conditions
Insertion Loss (IL)	typ 0.15 max 0.4	typ 0.2 max 0.4	typ 0.2 max 0.4	max 0.1	dB	IEC 1300-3-4; λ = 1300/1550nm
Return Loss (RL)	typ -40	min 50	min 70*	min 85*	dB	IEC 1300-3-6; λ = 1300/1550nm
Repeatability of IL	max ±0.1				dB	Over service life
Service life	1000 mate/demate cycles					
Operating temperature	-40 / +85				°C	May be further limited by cable specifications
Storage temperature	-40 / +90				°C	May be further limited by cable specifications

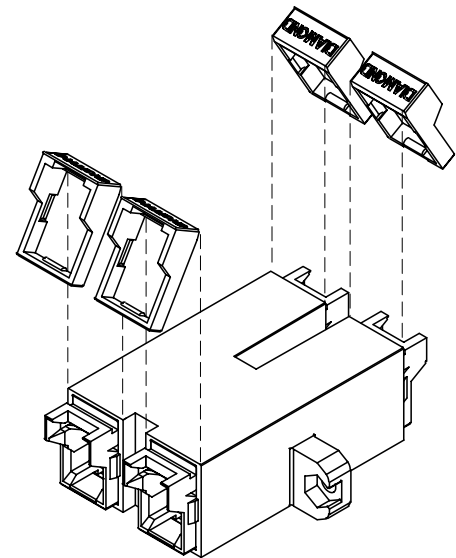
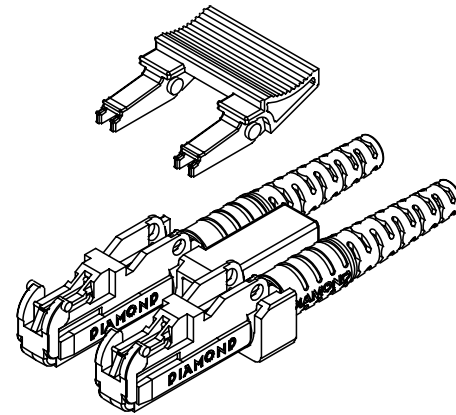
* Measured with high precision reflectometer.

The E-2000™ permits the user to specify the color of the thumb-latch and the mating adapter frame so that different line types, uses, destinations and points of origin, etc. can be readily identified.

The thumb-latch and frame are available in eight distinct colors:

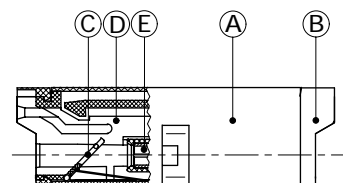
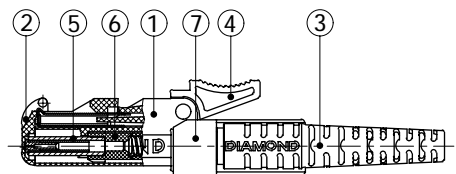
- | | |
|---------------------|----------------------|
| 1. Blue (RAL 5015) | 5. Orange (RAL 2003) |
| 2. White (RAL 9010) | 6. Yellow (RAL 1016) |
| 3. Black (RAL 9005) | 7. Green (RAL 6018) |
| 4. Red (RAL 3020) | 8. Violet (RAL 4008) |

In addition, colored connector bodies and mating adapter housings are used to identify the ferrule polish. Blue (RAL 5015) is used for connectors with convex polished (PC) ferrules and green (RAL 6018) identifies 8° angle polished (APC) types.



Materials: Connector and mating adapter

	Item	Component	Material
Connector	1	Housing	PBT
	2	Protective cap	Metal/Plastic
	3	Cable boot	PUR
	4	Thumb-latch	PBT
	5	Ferrule Ø 2,5 mm	Zirconia/Cu-Ni insert (Pilz)
	6	Ferrule case	LCP
	7	Bridge	POM
Mating adapter	A	Outer housing	PBT
	B	Coded frame	PBT
	C	Shutters	Metal
	D	Inner housing	LCP
	E	Alignment sleeve	Zirconia



Order numbers:

CONNECTORS

SINGLE MODE

Type designation: E-2146.6
 Ferrule material: Zirconia/copper-nickel alloy insert (Pilzferrule)
 External parts: Plastic (blue)
 Polish geometry: Convex (PC)

Dimensions Fiber/Cable	Order Number			
	Unterminated connector		Terminated assembly	
9/125/900	- 000 - 001 L 000	- x x x - 001 L x x x	1	2 3 4
9/125/900/3000/6500	- 000 - 004 L 000	- x x x - 054 L x x x		

Thumb-latch	blue	green	black	red	orange	yellow	white	violet
Order No.	303	313	323	333	343	353	363	373

Connectors for other fiber and cable dimensions available upon request.

MULTIMODE

Type designation: E-2156.6
 Ferrule material: Zirconia/copper-nickel alloy insert (Pilzferrule)
 External parts: Plastic (blue)
 Polish geometry: Convex (PC)

Dimensions Fiber/Cable	Order Number			
	Unterminated connector		Terminated assembly	
50/125/900	- 000 - 001 L 000	- x x x - 001 L x x x	1	2 3 4
50/125/900/3000/6500	- 000 - 004 L 000	- x x x - 054 L x x x		
62.5/125/900	- 000 - 001 L 000	- x x x - 001 L x x x	1	2 3 4
62.5/125/900/3000/6500	- 000 - 004 L 000	- x x x - 064 L x x x		

Thumb-latch	blue	green	black	red	orange	yellow	white	violet
Order No.	304	314	324	334	344	354	364	374

Connectors for other fiber and cable dimensions available upon request.

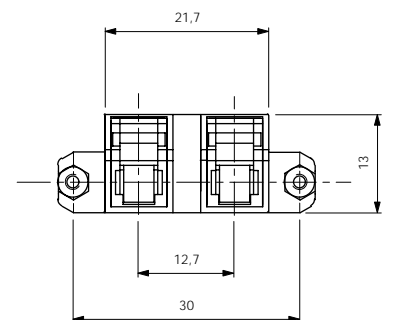
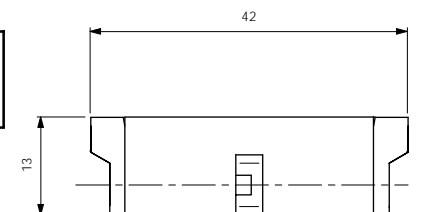
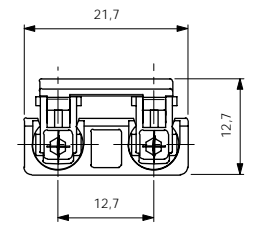
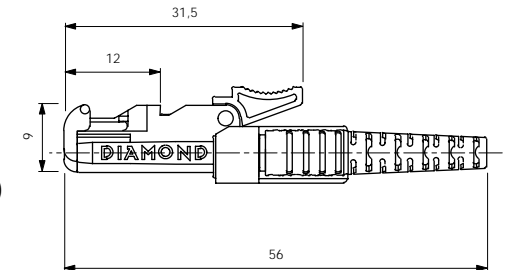
MATING ADAPTER

Type designation: E-2210.2-***
 Mating sleeve: Zirconia
 External parts: Plastic blue

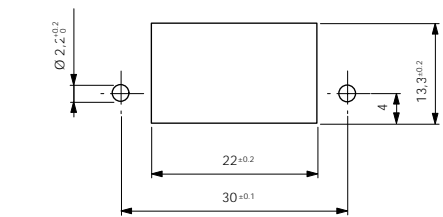
Frame color	Order Number	Frame color	Order Number
Blue	1 6 5 - 3 0 1 - 9 0 5 V 1 1 1	Orange	1 6 5 - 3 0 1 - 9 0 5 V 1 5 5
Green	1 6 5 - 3 0 1 - 9 0 5 V 1 2 2	Yellow	1 6 5 - 3 0 1 - 9 0 5 V 1 6 6
Black	1 6 5 - 3 0 1 - 9 0 5 V 1 3 3	White	1 6 5 - 3 0 1 - 9 0 5 V 1 7 7
Red	1 6 5 - 3 0 1 - 9 0 5 V 1 4 4	Violet	1 6 5 - 3 0 1 - 9 0 5 V 1 8 8

Order Number Codes

- Connector code
- Connector code for termination on other end of assembly
 - For pigtails: insert 000
 - For patch assemblies: insert connector code for other connector
- Code for fiber or cable
- Length in meters



MOUNTING INSTRUCTIONS



Max wall thickness 2 mm