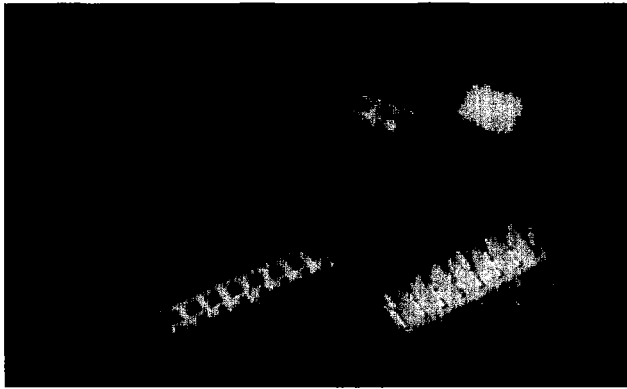


.156" (3.96 mm) Dip Solder Connector



3000 Series Vertical Mount

Low cost, easy to use and the ability to meet exact requirements are some of the reasons Methode connector systems are one of the most versatile and dependable systems used in today's electronics. Mates with 3100-1, 3100-3, 3100-21, 3100-23 headers or .045 pins staked into P.C. boards.

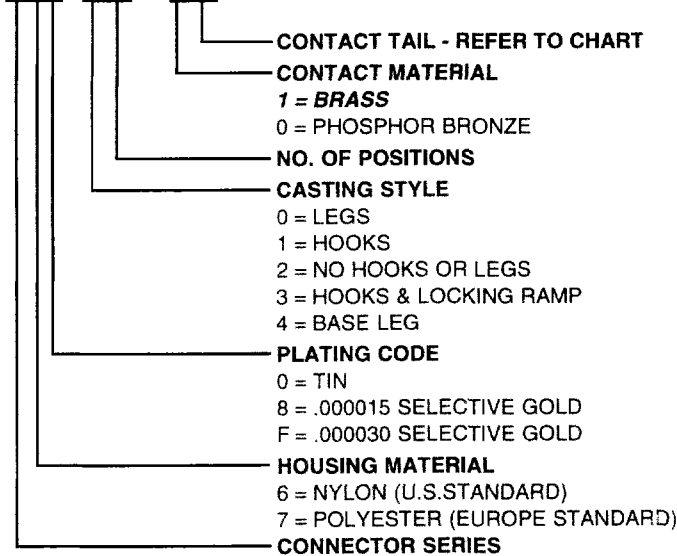
Housing Material: 94V-0 thermoplastic

Contacts: Plated brass
Phosphor bronze available

Optional Material: 94V-2 consult factory

PART NUMBER CODING

30XX - XXX - 2XXX

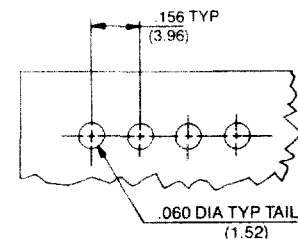
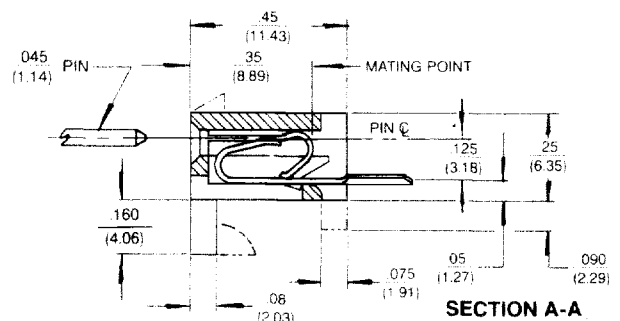
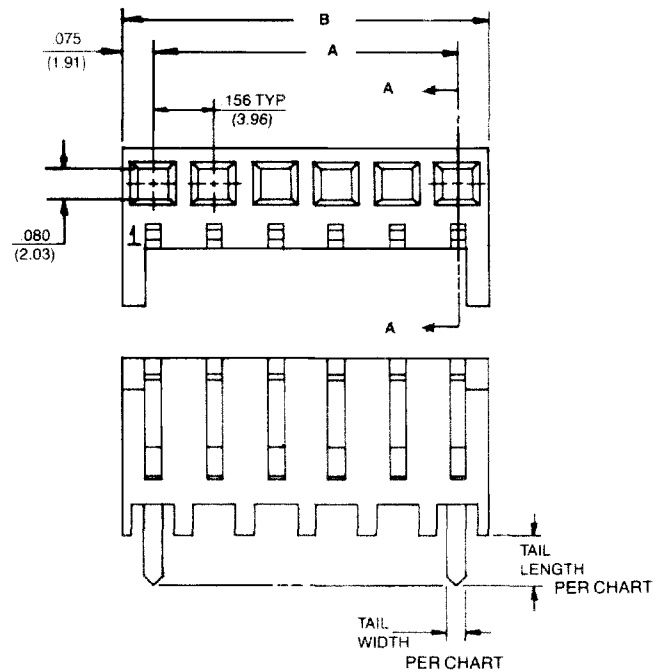


ALL DIMENSIONS ARE IN INCHES
DIMENSIONS IN () ARE IN MILLIMETERS

Contact Tail Chart

Contact Tail No.	Tail Length		Tail Width	
	Inch	MM	Inch	MM
01	.125	3.18	.050	1.27

Part Number	No. of Pos.	Dim. A.		Dim. B.	
		Inch	MM	Inch ± .010	MM ± .254
30XX-X02-21XX	2	.156	3.96	.312	7.92
30XX-X03-21XX	3	.312	7.92	.468	11.89
30XX-X04-21XX	4	.468	11.89	.624	15.85
30XX-X05-21XX	5	.624	15.85	.780	19.81
30XX-X06-21XX	6	.780	19.81	.936	23.77
30XX-X07-21XX	7	.936	23.77	1.092	27.74
30XX-X08-21XX	8	1.092	27.74	1.248	31.70
30XX-X09-21XX	9	1.248	31.70	1.404	35.66
30XX-X10-21XX	10	1.404	35.66	1.560	39.62
30XX-X11-21XX	11	1.560	39.62	1.716	43.59
30XX-X12-21XX	12	1.716	43.59	1.872	47.55
30XX-X13-21XX	13	1.872	47.55	2.028	51.51
30XX-X14-21XX	14	2.028	51.51	2.184	55.47
30XX-X15-21XX	15	2.184	55.47	2.340	59.43



RECOMMENDED P.C. BOARD LAYOUT