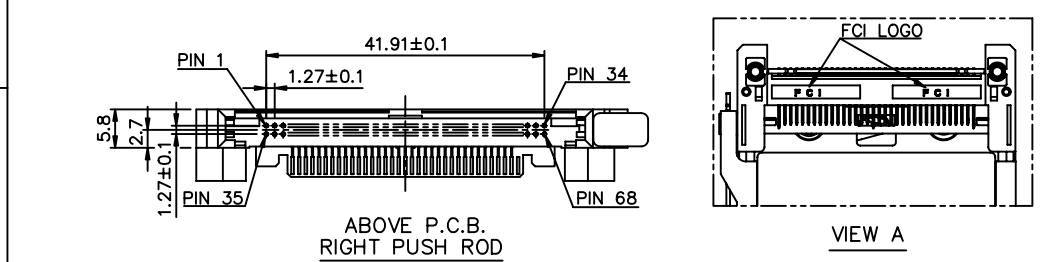
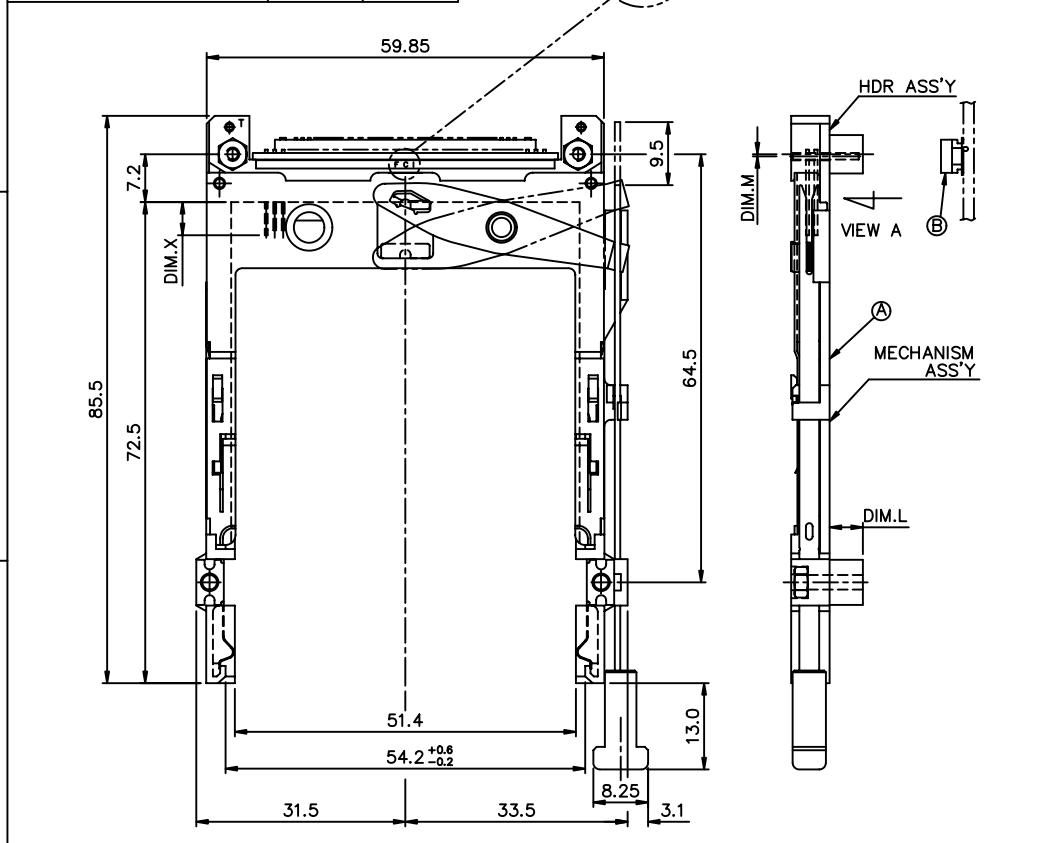


Tous droits strictement réservés. Reproduction ou communication a des tiers int  
 sous quelque forme que ce soit sans autorisation écrite du propriétaire.  
 Droits de reproduction BERG ELECTRONICS by

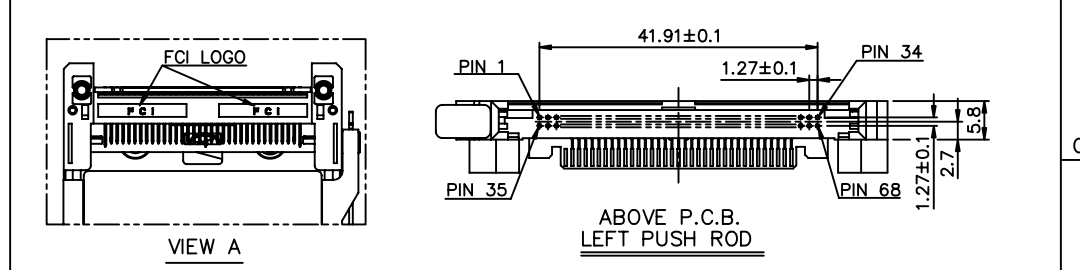
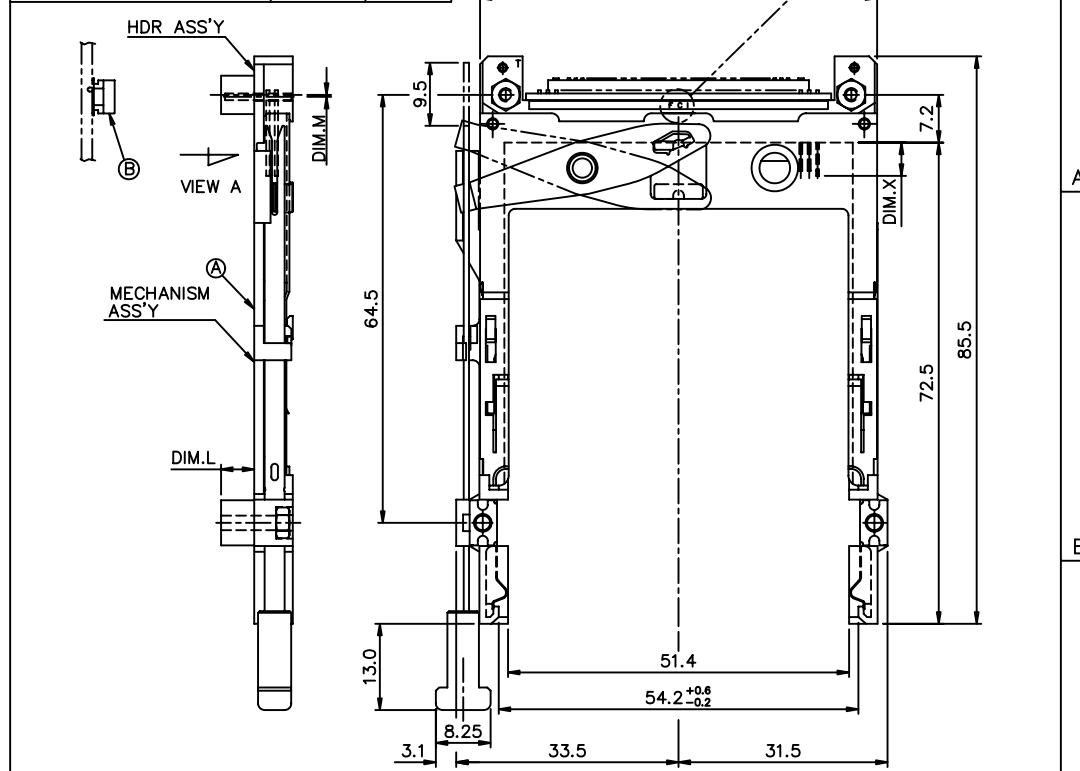


All rights strictly reserved. Reproduction or issue to third parties in any for  
 whatever is not permitted without written authority from the proprietor.  
 Property of c BERG ELECTRONICS.  
 Copyright BERG ELECTRONICS by

PRODUCT NO.	DIM.M	DIM.L
10003526-020CA	-0.3	2.2
10003526-040CA	-0.3	4.3
10003526-050CA	-0.3	5.0



PRODUCT NO.	DIM.M	DIM.L
10003526-120CA	-0.3	2.2
10003526-140CA	-0.3	4.3
10003526-150CA	-0.3	5.0

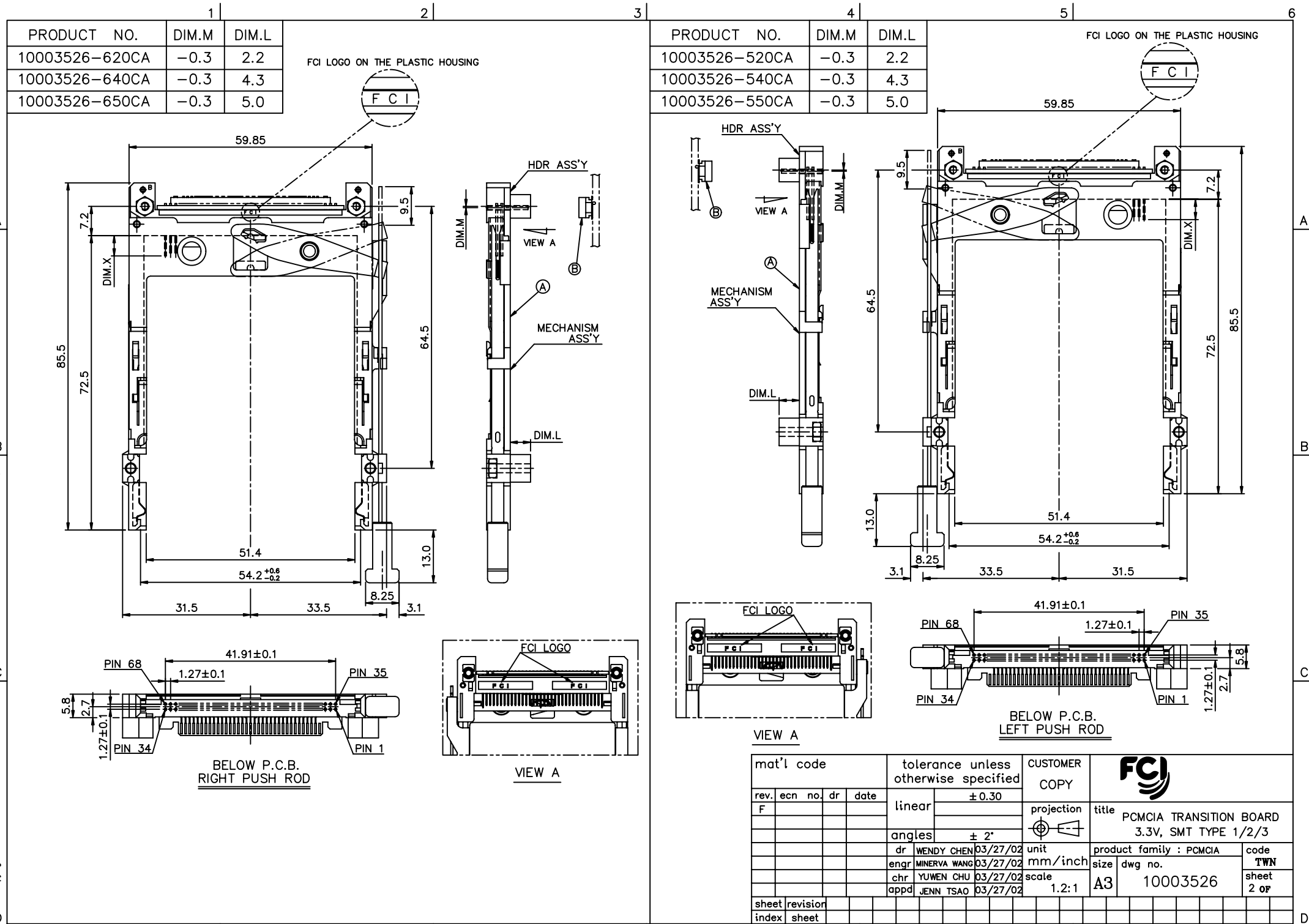


mat'l code		tolerance unless otherwise specified		CUSTOMER COPY		FCI	
rev.	ecn no.	dr	date	linear	± 0.30	projection	title
A	T20136	W L	04/30/02	angles	± 2'	⊕	PCMCIA TRANSITION BOARD
B	T04-0241	W L	06/07/04	unit	mm/inch	size	3.3V, SMT TYPE 1/2/3
C	T04-0250	W L	06/09/04	scale	1.2:1	dwg no.	product family : PCMCIA
D	N04-0120	W B	12/09/04	appd	JENN TSAO	03/27/02	code
E	N06-0251	D T	12/18/06	chr	YUWEN CHU	03/27/02	TWN
F	N07-0031	M Z	01/29/07	scale	1.2:1	A3	10003526
sheet	revisor	F	F	F	F	F	sheet
index	sheet	1	2	3	4	5	1 OF 6

Tous droits strictement réservés. Reproduction ou communication a des tiers int  
 sous quelque forme que ce soit sans autorisation écrite du propriétaire.  
 Property of c BERG ELECTRONICS.  
 Droits de reproduction BERG ELECTRONICS by



All rights strictly reserved. Reproduction or issue to third parties in any for  
 whatever is not permitted without written authority from the proprietor.  
 Property of c BERG ELECTRONICS.  
 Copyright BERG ELECTRONICS by



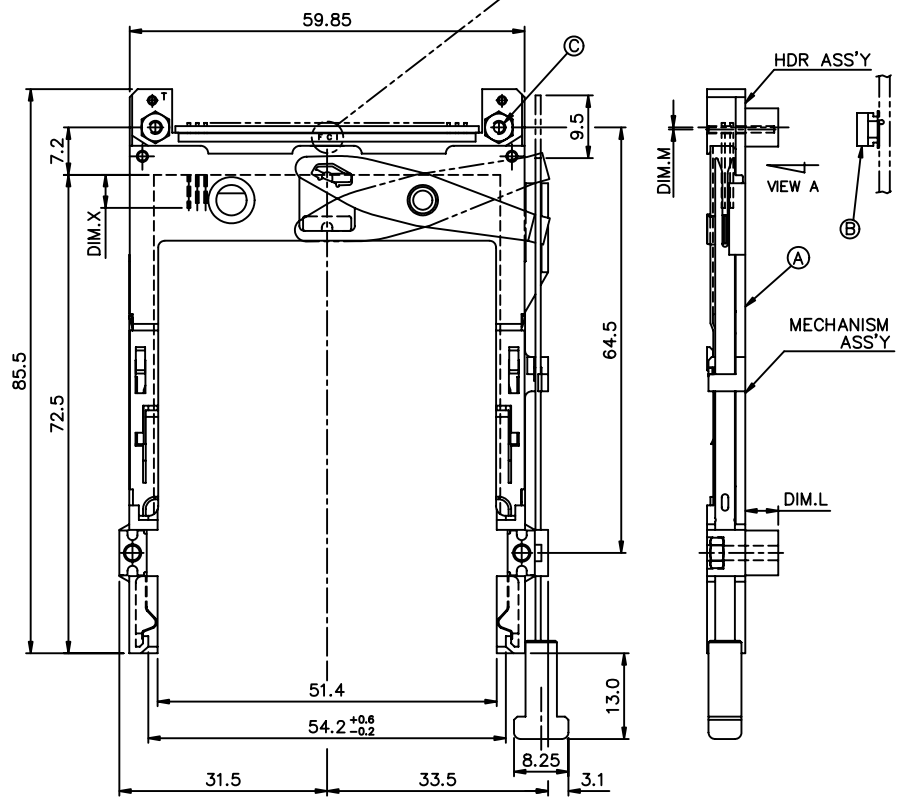
mat'l code	tolerance unless otherwise specified	CUSTOMER COPY	FCI
rev. ecn no. dr date	linear ± 0.30	projection	
F	angles ± 2'	title	PCMCIA TRANSITION BOARD 3.3V, SMT TYPE 1/2/3
	dr WENDY CHEN 03/27/02	unit	product family : PCMCIA
	enr MINERVA WANG 03/27/02	mm/inch	code
	chr YUWEN CHU 03/27/02	scale	TWN
	appd JENN TSAO 03/27/02	1.2:1	sheet
sheet	revision		2 of
index	sheet		

FCI CONFIDENTIAL

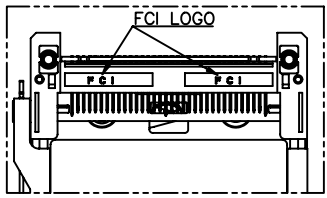
This document is the property of and embodies CONFIDENTIAL and PROPRIETARY information of FCI. No part of the information shown on this document may be used in any way or disclosed to others without the written consent of FCI.  
Copyright FCI

PRODUCT NO.	DIM.M	DIM.L
10003526-020CALF	-0.3	2.2
10003526-040CALF	-0.3	4.3
10003526-050CALF	-0.3	5.0

FCI LOGO ON THE PLASTIC HOUSING



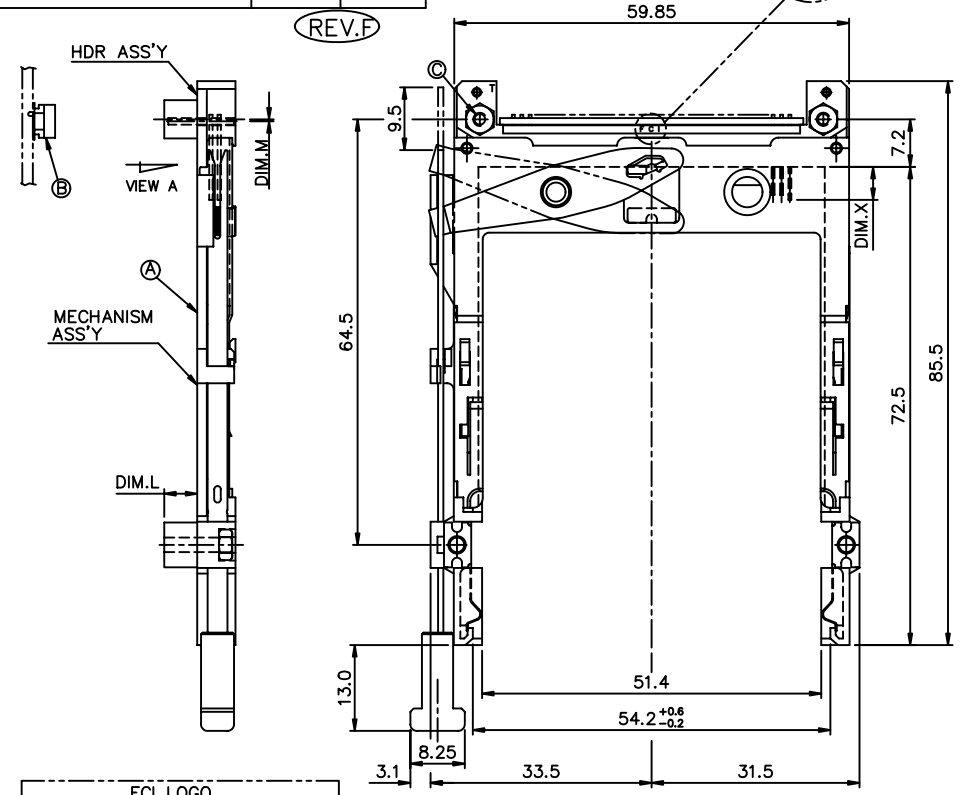
ABOVE P.C.B.  
RIGHT PUSH ROD



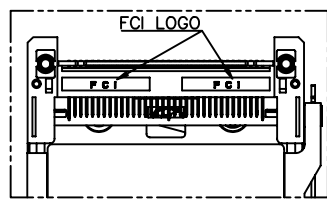
VIEW A

PRODUCT NO.	DIM.M	DIM.L
10003526-120CALF	-0.3	2.2
10003526-140CALF	-0.3	4.3
10003526-150CALF	-0.3	5.0

FCI LOGO ON THE PLASTIC HOUSING



ABOVE P.C.B.  
LEFT PUSH ROD



VIEW A

mat'l. code		surface	tolerance	projection	product family
		ISO 1302	ISO 406 ISO 1101		PCMCIA
ltr ecn no dr date		tolerances unless otherwise specified			title
F		angles linear ±0.2			PCMCIA TRANSITION BOARD 3.3V, SMT TYPE 1/2/3
		±2'			scale 1.2: 1
		dr	WENDY CHEN	03/27/02	dwg no 10003526 sheet 3 of size A4 type CUSTOMER Drawing
		enr	MINERVA WANG	03/27/02	
		chr	YUWEN CHU	03/27/02	
		appd	JENN TSAO	03/27/02	
sheet index	revision sheet				

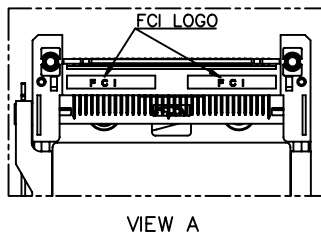
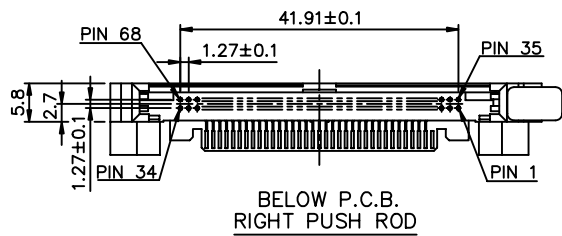
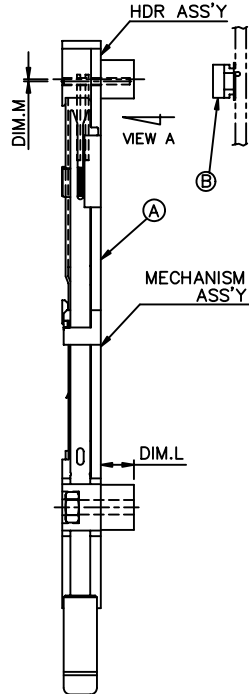
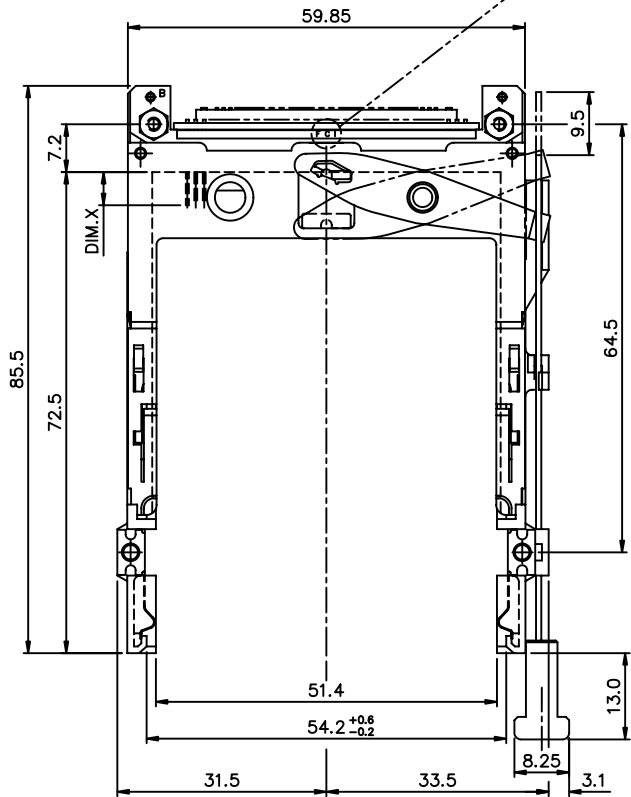
Tous droits strictement réservés. Reproduction ou communication a des tiers int sous quelque forme que ce soit sans autorisation écrite du propriétaire. Property of c BERG ELECTRONICS. Droits de reproduction BERG ELECTRONICS by



All rights strictly reserved. Reproduction or issue to third parties in any for whatever is not permitted without written authority from the proprietor. Property of c BERG ELECTRONICS. Copyright BERG ELECTRONICS by

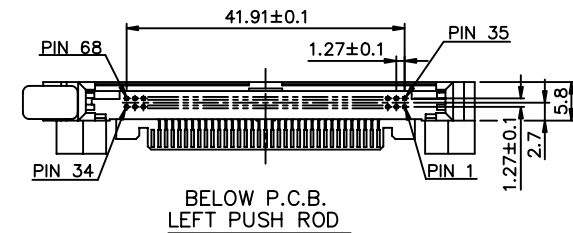
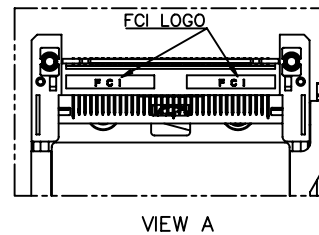
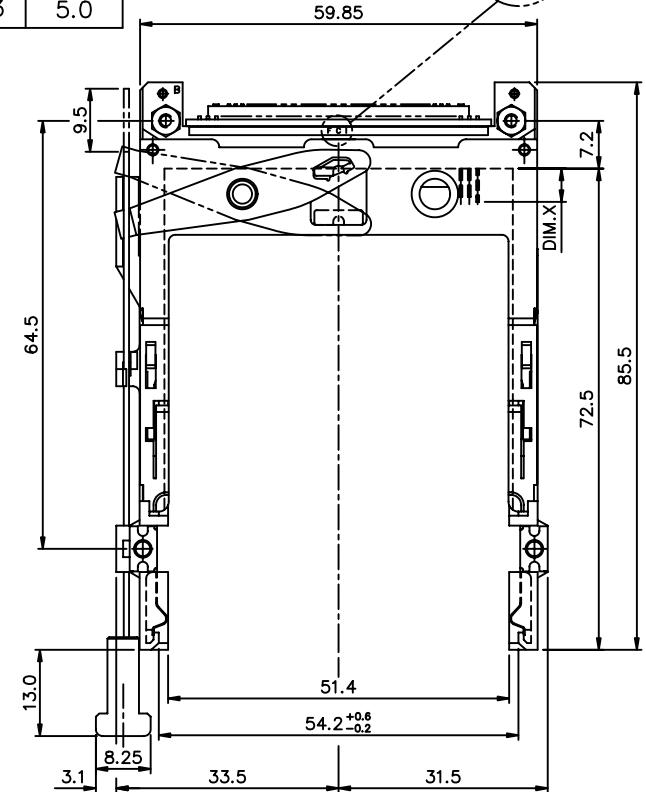
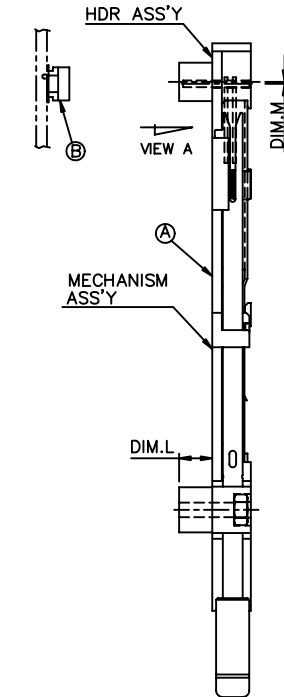
PRODUCT NO.	DIM.M	DIM.L
10003526-620CALF	-0.3	2.2
10003526-640CALF	-0.3	4.3
10003526-650CALF	-0.3	5.0

FCI LOGO ON THE PLASTIC HOUSING

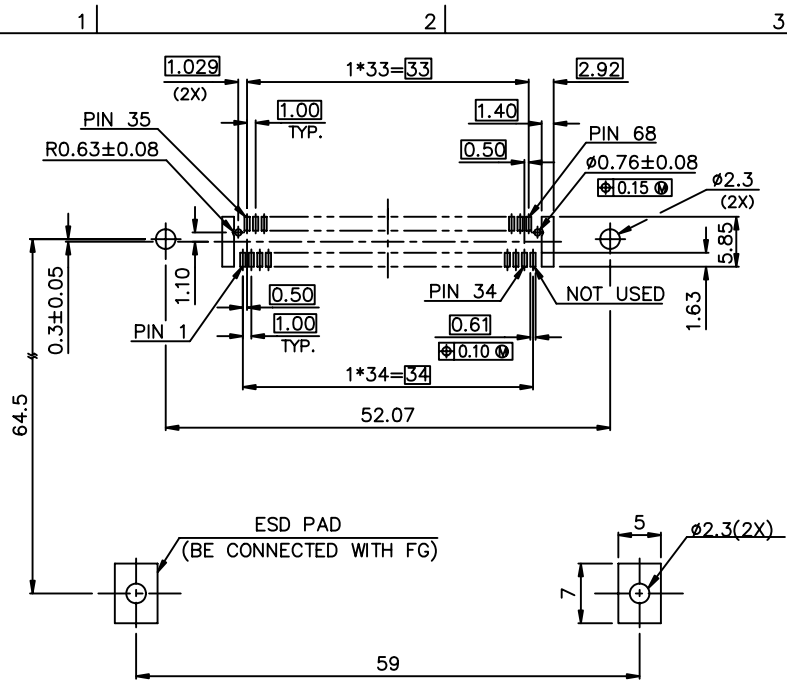


PRODUCT NO.	DIM.M	DIM.L
10003526-520CALF	-0.3	2.2
10003526-540CALF	-0.3	4.3
10003526-550CALF	-0.3	5.0

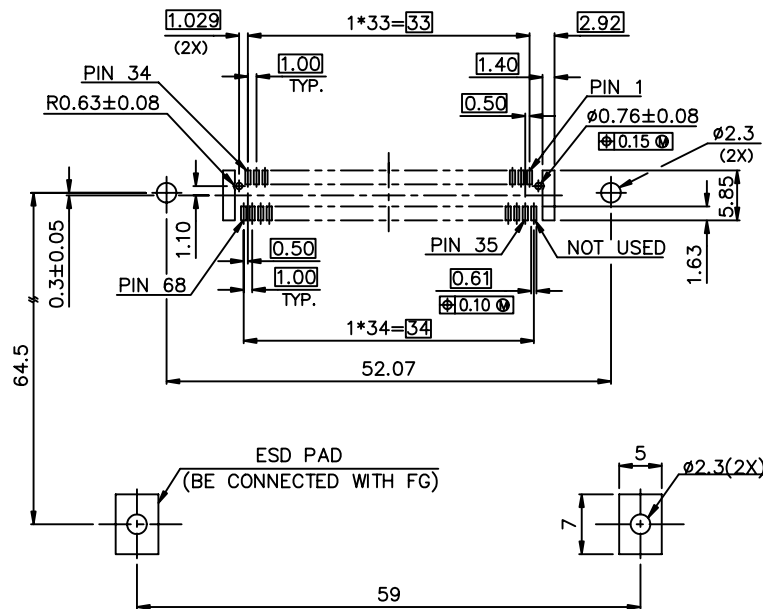
FCI LOGO ON THE PLASTIC HOUSING



mat'l code		tolerance unless otherwise specified		CUSTOMER COPY		FCI	
rev.	ecn no.	dr	date	linear	± 0.30	projection	title
F				angles	± 2'		PCMCIA TRANSITION BOARD
				dr	WENDY CHEN 03/27/02	unit	3.3V, SMT TYPE 1/2/3
				enr	MINERVA WANG 03/27/02	mm/inch	product family : PCMCIA
				chr	YUWEN CHU 03/27/02	size	dwg no.
				appd	JENN TSAO 03/27/02	scale	10003526
sheet	revision					1:2:1	A3
index	sheet						code
							TWN
							sheet
							4 OF



FOR 10003526-0XX(M)CA/1XX(M)CA P.C.B LAYOUT  
BOARD VIEW FROM CONNECTOR MOUNTED SIDE



FOR 10003526-5XX(M)CA/6XX(M)CA P.C.B LAYOUT  
BOARD VIEW FROM CONNECTOR MOUNTED SIDE

NOTES:

- 8mm MIN. CARD EJECT.
- EJECT TRAVEL: 9.5mm
- PUSH ROD LOCATION AND P.C.B. SIDE ARE AS APPEARS INSTALLED.
- MATERIAL
  - HEADER ASS'Y:  
PLASTIC : HOUSING ...LCP UL94V-O BLACK  
PIN : COPPY ALLOY (REV.F)  
PCB : FR4
  - EJECT MECHANISM ASS'Y:  
GUIDE: PLASTIC ,UL94V-O BLACK (REV.F)  
BUTTON: PLASTIC, UL94V-O BLACK  
PLATE AND PUSH ROD : STAINLESS STEEL  
EMI CONTACT: PHOSPHOR BRONZE
- FINISH (PIN)  
UNDER PLATING : 0.5µm MIN. Ni  
CONTACT AREA : 0.1µm MIN. GOLD OVER  
0.5µm MIN. Pd-Ni  
CONTACT AREA (FOR\*\*\*\*LF) : 0.25µm MIN. GOLD (REV.F)  
SOLDER TAIL(TIN LEAD OPTION): 2.5µm MIN. Sn-Pb  
SOLDER TAIL(LEAD FREE OPTION): 2.5µm MIN. PURE TIN
- IF LEAD FREE P/N.THE HOUSING WILL WITHSTAND EXPOSURE TO 260°C PEAK TEMPERATURE FOR 10 SECONDS IN A WAVE SOLDER APPLICATION WITH A 1.00MM MINIMUM THICK CIRCUIT BOARD.
- LEAD FREE PRODUCT MEETS EUROPEAN UNION DIRECTIVES AND OTHER COUNTRY REGULATIONS AS DISCRIBLED IN GS-22-008
- LEAD FREE PRODUCT PACKAGING MEETS GS-14-920 SPECIFICATION
- DIM "X"

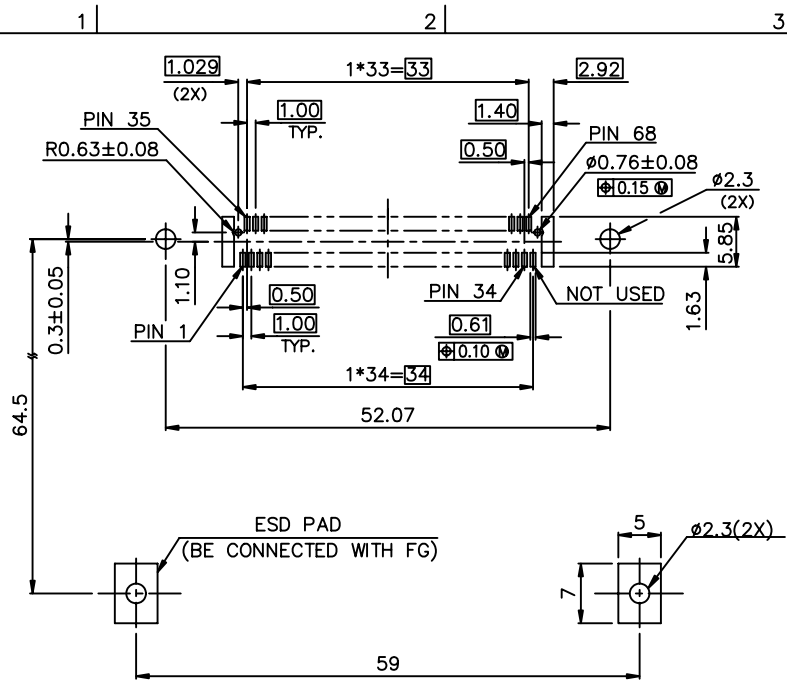
4.25±0.1	3.5±0.1	5.0±0.1
OTHERS	36,67	1,17,34,35,51,68

mat'l code		tolerance unless otherwise specified		CUSTOMER COPY	FCJ www.fciconnect.com	
rev.	ecn no.	dr	date	linear	±0.1	projection
F				angles		⊕
				dr	WENDY CHEN	D3/27/02
				enr	MINERVA WANG	D3/27/02
				chr	YUWEN CHU	D3/27/02
				appd	JENN TSAO	D3/27/02
sheet		revision		unit		title
index		sheet		mm/inch		P.C.B LAYOUT
				product family : PCMCIA		code
				size		TWN
				scale		sheet
				A3		5 of
				10003526		

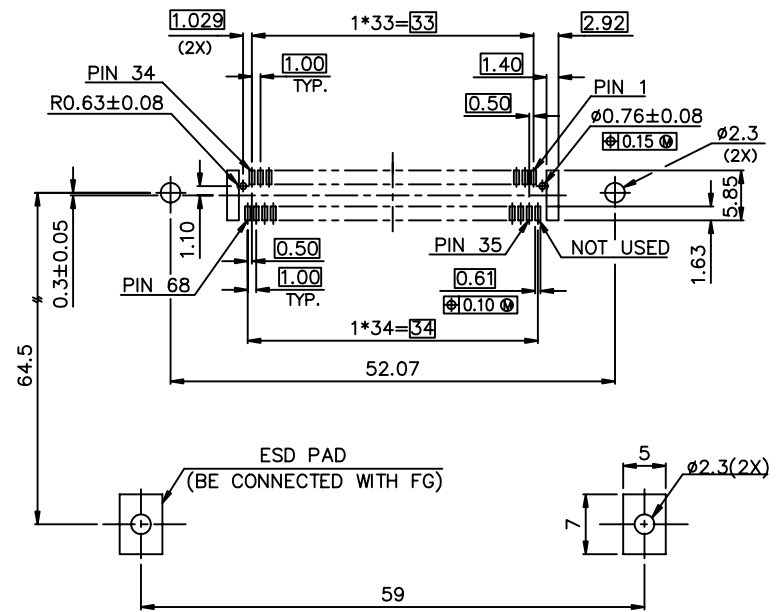
Tous droits strictement reserves. Reproduction ou communication a des tiers int sous quelque forme que ce soit sans autorisation écrite du propriétaire. Property of c BERG ELECTRONICS. Droits de reproduction BERG ELECTRONICS by



All rights strictly reserved. Reproduction or issue to third parties in any for whatever is not permitted without written authority from the proprietor. Property of c BERG ELECTRONICS. Copyright BERG ELECTRONICS by



FOR 10003526-0XX(M)CALF/1XX(M)CALF P.C.B LAYOUT  
BOARD VIEW FROM CONNECTOR MOUNTED SIDE

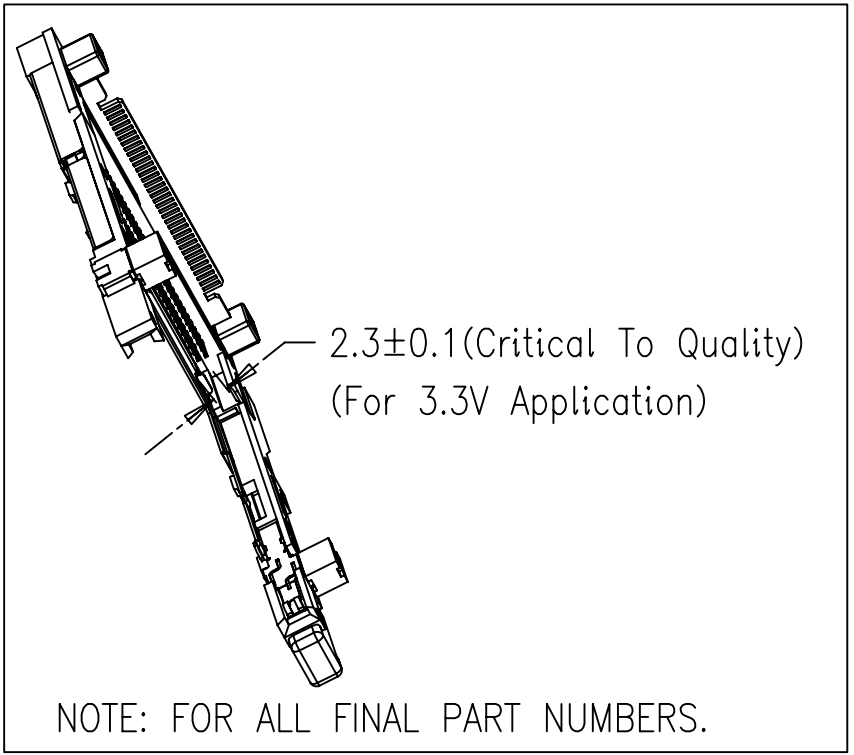


FOR 10003526-5XX(M)CALF/6XX(M)CALF P.C.B LAYOUT  
BOARD VIEW FROM CONNECTOR MOUNTED SIDE

ORDERING INFORMATION

NAME	PART NO.	Q'TY
(A) EJECT HEADER ASS'Y	10003526-XXXXX	1
(B) MATING RECEPTACLE	91931-31169	1

NAME	PART NO.	Q'TY
(A) EJECT HEADER ASS'Y	10003526-XXXXLF	1
(B) MATING RECEPTACLE	91931-31169LF	1



mat'l code		tolerance unless otherwise specified		CUSTOMER COPY		FCJ www.fciconnect.com	
rev.	ecn no.	dr	date	linear	±0.1	projection	title
F				angles			P.C.B LAYOUT
				dr	WENDY CHEN D3/27/02	unit	product family : PCMCIA
				enr	MINERVA WANG D3/27/02	mm/inch	code
				chr	YUWEN CHU D3/27/02	scale	TWN
				appd	JENN TSAO D3/27/02	A3	sheet 6 of 6
sheet	revision						
index	sheet						

Tous droits strictement réservés. Reproduction ou communication a des tiers int sous quelque forme que ce soit sans autorisation écrite du propriétaire. Property of c BERG ELECTRONICS. Droits de reproduction BERG ELECTRONICS by

All rights strictly reserved. Reproduction or issue to third parties in any for whatever is not permitted without written authority from the proprietor. Property of c BERG ELECTRONICS. Copyright BERG ELECTRONICS by

