

High Current Chip Inductors



Model PM1210H Series is currently available, although not recommended for new designs.

Special Features

- High current
- Molded construction for high reliability and superior environmental protection
- High resistance to solder heat, moisture
- Ferrite bobbin core
- Operating temperature -20 to +100 °C
- Tape & reel packaged 2000/reel

Typical Applications

- Desktop, notebook computers, servers
- Network hubs, bridges, routers
- xDSL, PBX base stations
- Cell phones, pagers, GPS systems
- PDAs, MP3 players, digital cameras
- Digital TVs, DVDs, cable modems, DSS set-top boxes
- Battery chargers
- High frequency wireless communication devices
- Electronic game devices

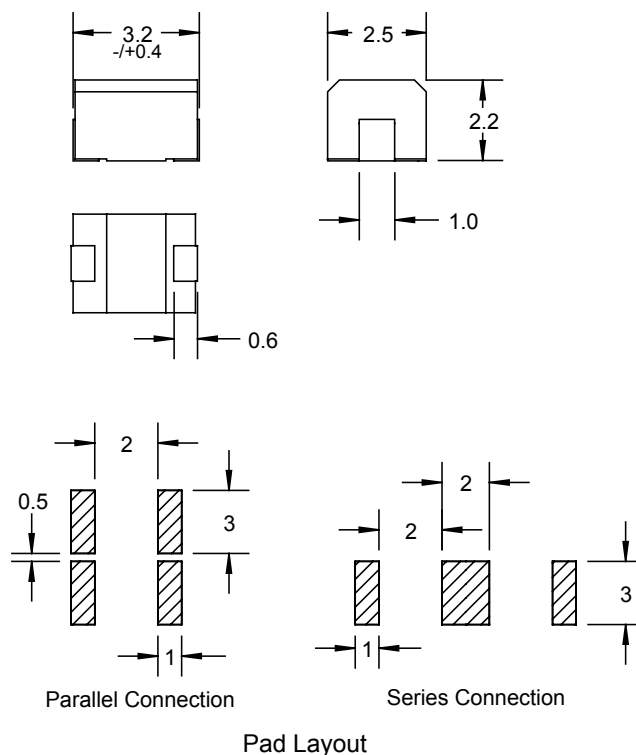
Notes

* Rated current to cause 20 °C temperature rise

PM1210H Series						
Part Number	L (μH) ± 20 %	Q Min.	Test Freq. (MHz)	SRF (MHz) Max.	DCR (Ω) Max.	I, DC* (mA)
PM1210H-1R0M-RC	1.0	10	7.96	100	0.16	770
PM1210H-1R5M-RC	1.5	10	7.96	80	0.20	580
PM1210H-2R2M-RC	2.2	10	7.96	65	0.26	480
PM1210H-3R3M-RC	3.3	10	7.96	55	0.33	400
PM1210H-4R7M-RC	4.7	10	7.96	45	0.52	320
PM1210H-6R8M-RC	6.8	10	7.96	35	0.65	280
± 10 %						
PM1210H-100K-RC	10	15	2.52	28	1.11	220
PM1210H-150K-RC	15	15	2.52	25	1.69	180
PM1210H-220K-RC	22	15	2.52	20	2.60	145
PM1210H-330K-RC	33	15	2.52	15	3.64	115
PM1210H-470K-RC	47	20	2.52	13	5.46	105
PM1210H-680K-RC	68	20	2.52	10	8.45	85

Available only as RoHS compliant beginning July 2007.

When ordering non-RoHS compliant versions before July 2007, do not include the -RC suffix in the part number.



Dimensions: mm
Tolerance: -/+0.2

BOURNS®

Tel. (877) 426-8767 • Fax (951) 781-5006

www.bourns.com