

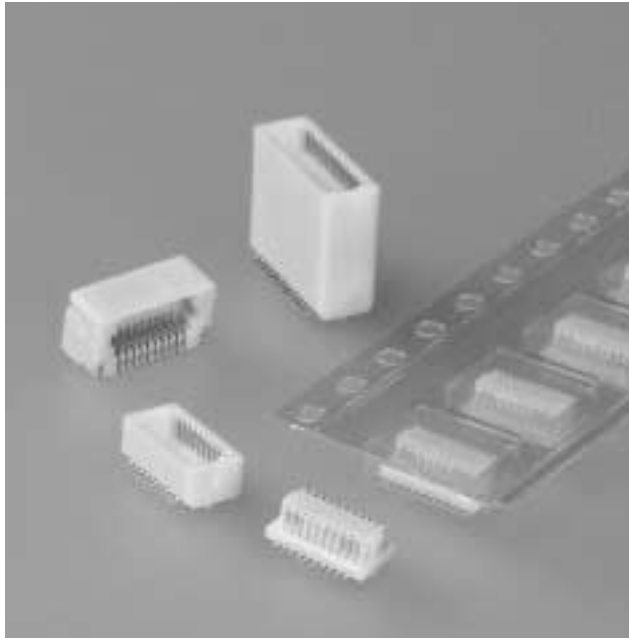


**0.5mm**  
(.020") pitch

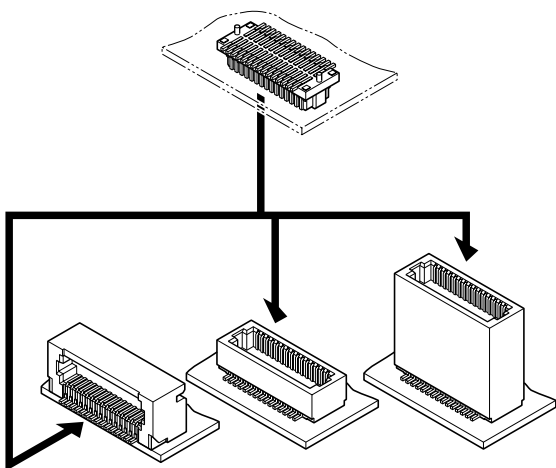
# JMC CONNECTOR

Board-to-board connectors

Emboss Tape



**0.5mm (.020") pitch SMT connector.**  
Smaller in size and narrower in mounting space than conventional type.



## Features

### • **Secure mating**

Cantilever type contact that has wiping effectiveness provides secure mating by contact lock with favorable click-feeling.

### • **Distortion resistant construction**

Guide ribs on both sides of plug and housing toward pitch direction prevent distortion.

### • **Versatile number of circuit and height**

Number of circuits: 20 to 80

Height: 3.0mm (.118") to 10.0mm (.394")

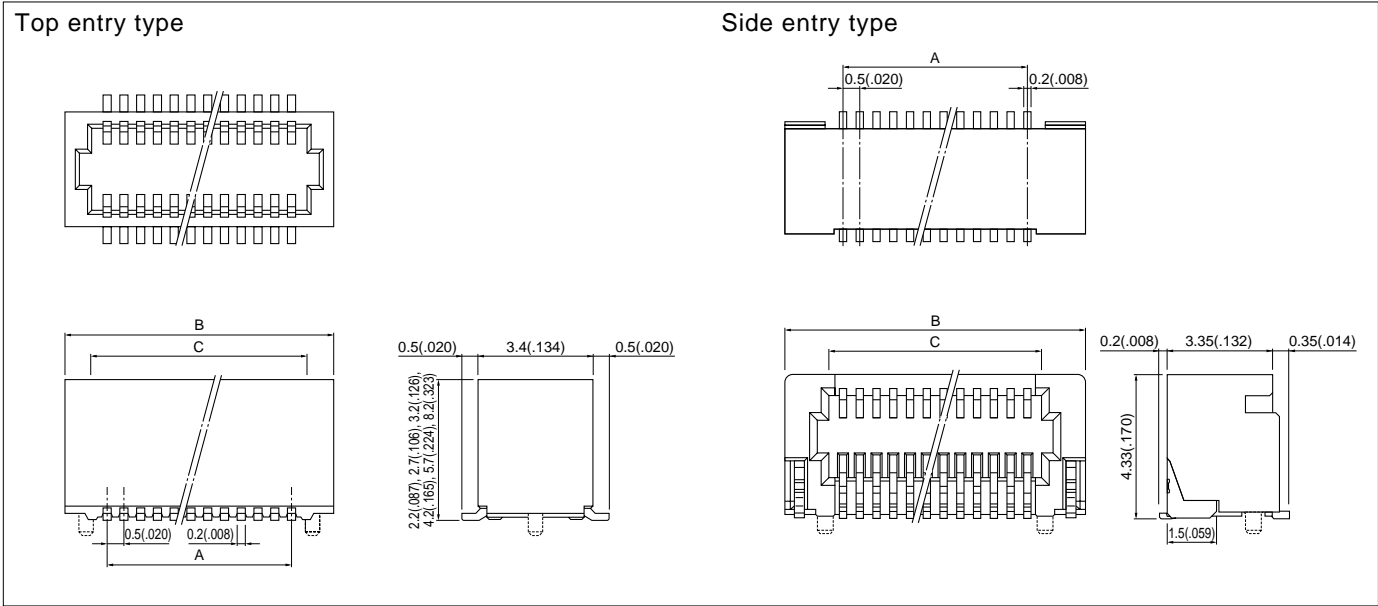
### • **Reinforcing tab (under planning)**

Reinforcing solder tab is available on request in order to ensure secure mounting on PC board.

## Specifications

- Current rating: 0.5A AC, DC
- Voltage rating: 50V AC, DC
- Temperature range: -25°C to +85°C  
(including temperature rise in applying electrical current)
- Contact resistance: Initial value/50m Ω max.  
After environmental testing/100m Ω max.
- Insulation resistance: 50M Ω min.
- Withstanding voltage: 100V AC/minute
- \* Contact JST for details.

## Plug



### Top entry type

	Circuits	Model No.			Dimensions mm(in.)		
		Stacking height mm(in.)			A	B	C
		3.0(.118")	3.5(.138")	4.0(.157")			
With bosses	20	–	<b>20P3.5-JMCS-G-B-TF</b>	–	4.5(.177)	6.9(.272)	5.4(.213)
	40	<b>40P3.0-JMCS-G-B-TF</b>	–	–	9.5(.374)	11.9(.469)	10.4(.409)
	60	–	–	<b>60P4.0-JMCS-G-B-TF</b>	14.5(.571)	16.9(.666)	15.4(.606)
Q'ty / reel		2,500	2,000	2,000			

	Circuits	Model No.			Dimensions mm(in.)		
		Stacking height mm(in.)			A	B	C
		5.0(.197")	6.5(.256")	9.0(.354")			
Without bosses	40	<b>40P5.0-JMCS-G-TF</b>	–	–	9.5(.374)	11.9(.469)	10.4(.409)
With bosses	30	–	–	<b>30P9.0-JMCS-G-B-TF</b>	7.0(.276)	9.4(.370)	7.9(.311)
	40	<b>40P5.0-JMCS-G-B-TF</b>	<b>40P6.5-JMCS-G-B-TF</b>	–	9.5(.374)	11.9(.469)	10.4(.409)
	50	–	–	<b>50P9.0-JMCS-G-B-TF</b>	12.0(.472)	14.4(.567)	12.9(.508)
Q'ty / reel		1,500	1,000	500			

### Side entry type

	Circuits	Model No.	Dimensions mm(in.)			Q'ty / reel
			A	B	C	
Without bosses	34	<b>34PS-JMCS-G-1-TF</b>	8.0(.315)	11.4(.449)	8.9(.350)	1,500
With bosses	20	<b>20PS-JMCS-G-1B-TF</b>	4.5(.177)	7.9(.311)	5.4(.213)	1,500
	30	<b>30PS-JMCS-G-1B-TF</b>	7.0(.276)	10.4(.409)	7.9(.311)	1,500
	34	<b>34PS-JMCS-G-1B-TF</b>	8.0(.315)	11.4(.449)	8.9(.350)	1,500
	60	<b>60PS-JMCS-G-1B-TF</b>	14.5(.571)	17.9(.705)	15.4(.606)	1,500

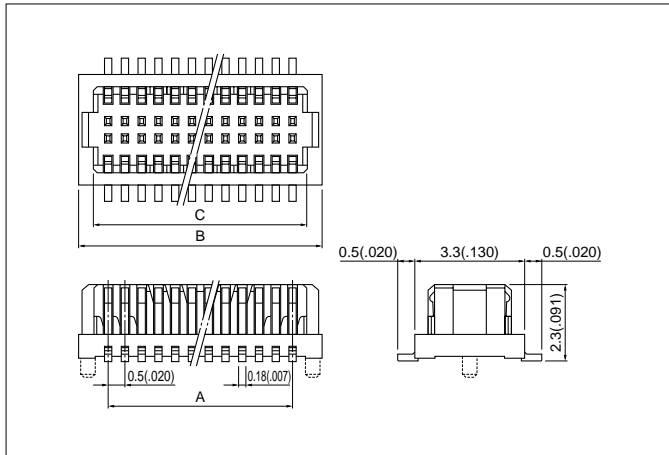
### Material and Finish

Contact: Phosphor bronze, gold-plated  
Housing: Modified nylon 6T, UL94V-0

Note: The products listed above are supplied on embossed-tape.

# JMC CONNECTOR

## Receptacle

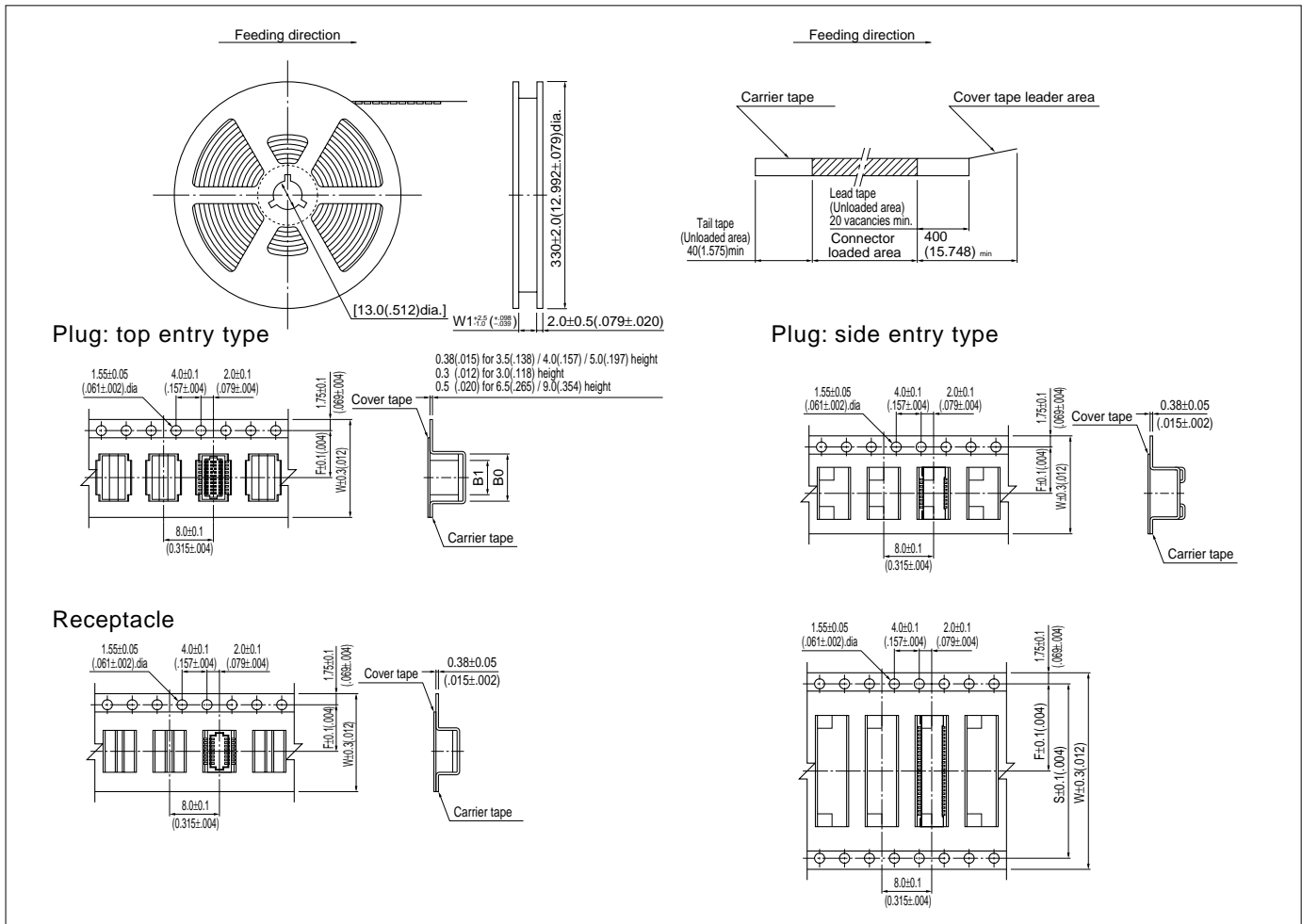


Cir- cuits	Model No.		Dimensions mm(in.)			Qty / reel
	Without bosses	With bosses	A	B	C	
20	<b>20R-JMCS-G-TF</b>	<b>20R-JMCS-G-B-TF</b>	4.5(.177)	6.3(.248)	5.4(.213)	2,500
30	<b>30R-JMCS-G-TF</b>	<b>30R-JMCS-G-B-TF</b>	7.0(.276)	8.8(.346)	7.9(.311)	2,500
34	<b>34R-JMCS-G-TF</b>	<b>34R-JMCS-G-B-TF</b>	8.0(.315)	9.8(.386)	8.9(.350)	2,500
40	<b>40R-JMCS-G-TF</b>	<b>40R-JMCS-G-B-TF</b>	9.5(.374)	11.3(.445)	10.4(.409)	2,500
50	<b>50R-JMCS-G-TF</b>	<b>50R-JMCS-G-B-TF</b>	12.0(.472)	13.8(.543)	12.9(.508)	2,500
60	<b>60R-JMCS-G-TF</b>	<b>60R-JMCS-G-B-TF</b>	14.5(.571)	16.3(.642)	15.4(.606)	2,500

### Material and Finish

Contact: Phosphor bronze, gold-plated  
Housing: Modified nylon 6T, UL94V-0

## Taping specifications



## Plug Top entry type

Stacking height : 3.0(.118), 3.5(.138), 4.0(.157), 5.0(.197), 6.5(.256)

Cir- cuits	Dimensions mm(in.)			
	F	S	W	W1
20, 30	7.5(.295)	-	16(.630)	17.5(.689)
40, 50, 60	11.5(.453)	-	24(.945)	25.5(1.004)

Stacking height : 9.0(.354)

Cir- cuits	Dimensions mm(in.)			
	F	S	W	W1
30,50	11.5(.453)	-	24(.945)	25.5(1.004)

## Plug Side entry type

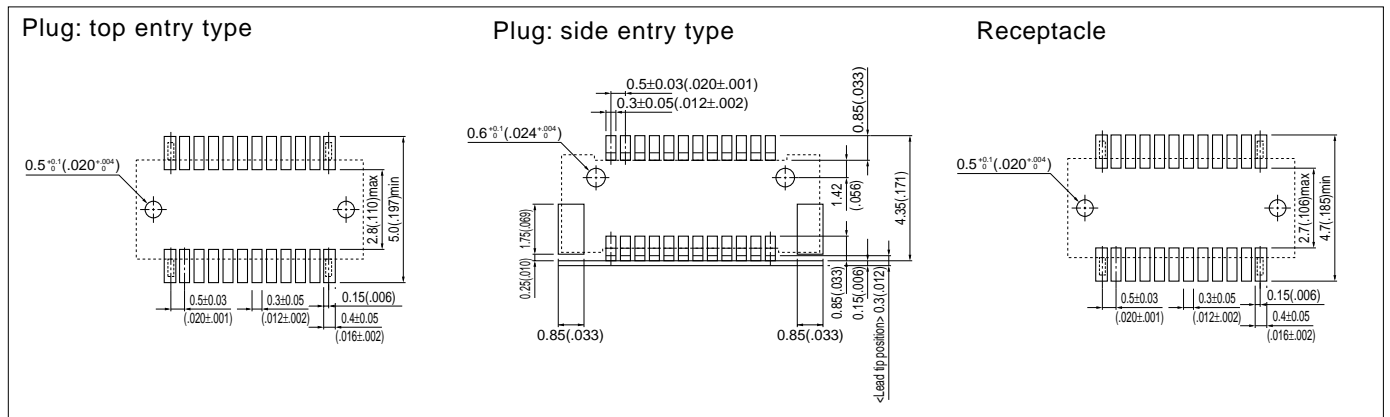
Cir- cuits	Dimensions mm(in.)			
	F	S	W	W1
20	7.5(.296)	-	16(.630)	17.5(.689)
30, 34	11.5(.453)	-	24(.945)	25.5(1.004)
60	14.2(.559)	28.4(1.118)	32(1.260)	33.5(1.319)

## Receptacle

Cir- cuits	Dimensions mm(in.)			
	F	S	W	W1
20, 30, 34	7.5(.295)	-	16(.630)	17.5(.689)
40, 50, 60	11.5(.453)	-	24(.945)	25.5(1.004)

Note: 1. Specifications conform to JIS C 0806. The tape width, connector loading recess square hole dimensions, etc. are determined by the number of circuits and external shape of the connector to be loaded.  
2. Specifications are subject to change without prior notice.

## PC board layout (viewed from component side)



## Assembly layout

