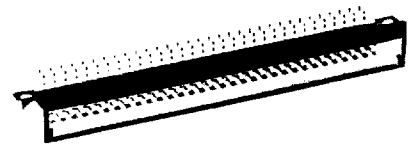
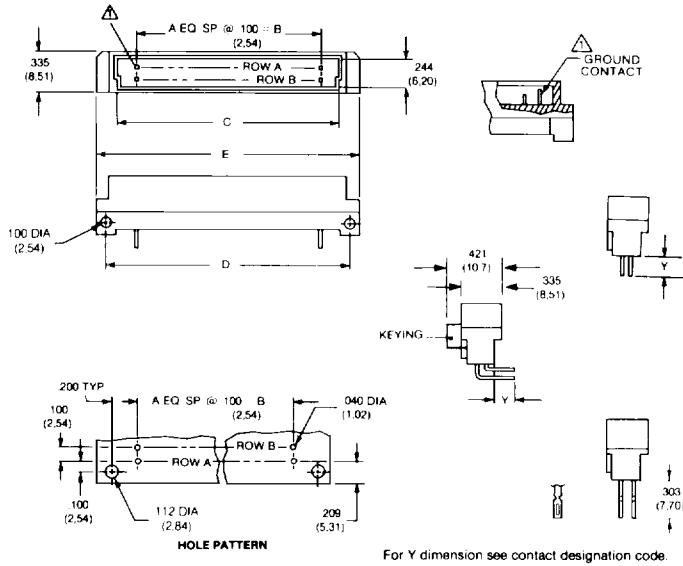


# Style B & 1/2 B Header

8457

Standard  
2-Row



## ORDERING CODE Typical Example

10 8457 **064** **002** 025

### PREFIX

10-PIN WITHOUT KEYING    16-PIN WITH BOARD RETENTION CLIP FOR .062" (1.6mm) BOARD WITHOUT KEYING  
12-PIN WITH KEYING        17-PIN WITH BOARD RETENTION CLIP FOR .062" (1.6mm) BOARD WITH KEYING

### SERIES

Standard DIN, style B and 1/2 B

### NUMBER OF CONTACT CAVITY POSITIONS

NO. CONTACT POSITIONS	CONTACT ROWS	A	B	C	D	E
032	2 (2 x 16)	15	1.500 (38,10)	1.754 (44,55)	1.900 (48,26)	2.100 (53,34)
064	2 (2 x 32)	31	3.100 (78,74)	3.354 (85,19)	3.500 (88,90)	3.700 (93,98)

### CONTACT DESIGNATION CODE

CODE NO.		DESCRIPTION	TERMINAL LENGTH = Y
001		P.C. contact sq. terminal	.134 (3,40)
002		P.C. contact right angled, short sq. terminal	.118 (3,00)
△ 102		P.C. contact right angled, short sq. terminal	.118 (3,00)
003		Straight wire wrapping sq. terminal	.512 (13,0)

CODE NO.		DESCRIPTION	TERMINAL LENGTH = Y
004		P.C. contact right angled for 2 wire wraps. sq. terminal	.445 (11,30)
006		Solder Hole	.303 (7,70)
007		Solder Loop	.252 (6,40)
008		P.C. contact right angled, short sq. terminal	.090 (2,3)

### VARIATION CODE

	Gold All Over		Gold Contact Area, Tin/Lead Terminal		
Class	<del>DIN 41612 Class II</del>	DIN 41612 Class III	<del>DIN 41612 Class II</del>	DIN 41612 Class III	
Cycle Life	<del>400 Cycles</del>	50 Cycles	<del>400 Cycles</del>	50 Cycles	
Variation Code Numbers					Contact Loading Positions
	<del>097</del>	073	<del>025</del>	001	Fully loaded .100 (2,54) grid
	099	075	027	003	Row A Fully loaded .100 (2,54) grid

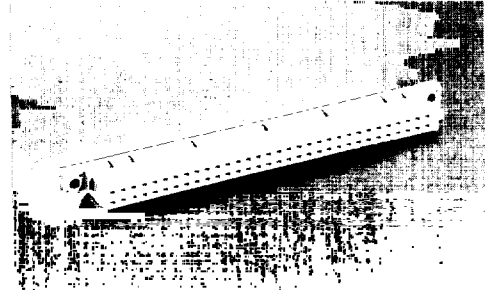
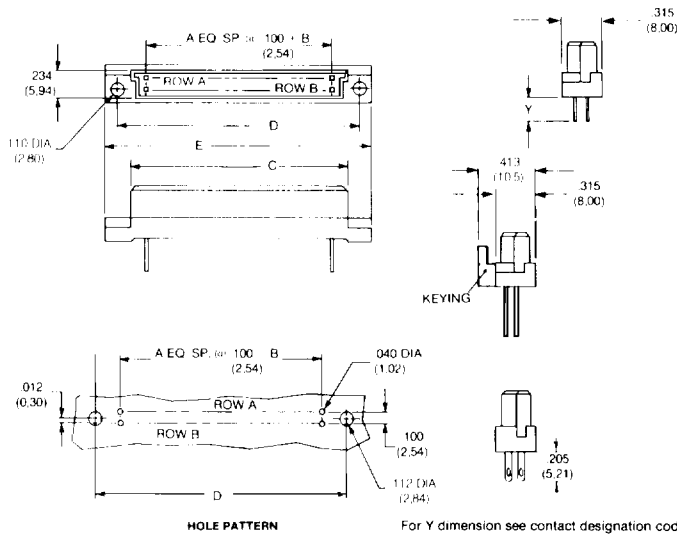
NOTE: For alternate loading and plating, please contact factory.

△ Ground contact row a, first & last position. Shaded variations recommended for standard applications. Available through ELCO franchised distributors.

# Style B & 1/2 B Receptacle

8457

## Standard 2-Row



**DECODING CODE** Typical Example

20

8457

064

001

025

### PREFIX

- 20-SOCKET WITHOUT KEYING
- 22-SOCKET WITH KEYING
- 24-SOCKET WITH BOARD RETENTION CLIP FOR 125" (3.2mm) BOARD WITHOUT KEYING
- 25-SOCKET WITH BOARD RETENTION CLIP FOR 125" (3.2mm) BOARD WITH KEYING
- 26-SOCKET WITH BOARD RETENTION CLIP FOR 062" (1.6mm) BOARD WITHOUT KEYING
- 27-SOCKET WITH BOARD RETENTION CLIP FOR 062" (1.6mm) BOARD WITH KEYING

### SERIES

Standard DIN, Style B & 1/2 B

### NUMBER OF CONTACT CAVITY POSITIONS

NO. CONTACT POSITIONS	CONTACT ROWS	A	B	C	D	E
032	2 (2 x 16)	15	1.500 (38,10)	1.744 (44,30)	1.968 (49,99)	2.162 (54,91)
064	2 (2 x 32)	31	3.100 (78,74)	3.343 (84,91)	3.543 (89,99)	3.736 (94,89)

### CONTACT DESIGNATION CODE

CODE#		DESCRIPTION	TERMINAL LENGTH = Y
001		P.C. contact, square terminal	.177 (4,50)
002			.114 (2,90)
003		P.C. contact, .012 (0,30) X .031 (0,79)	.177 (4,50)
004			.114 (2,90)
005		Straight wire wrap, square terminal	.512 (13,00)
006			Wire Wrap Consult Factory

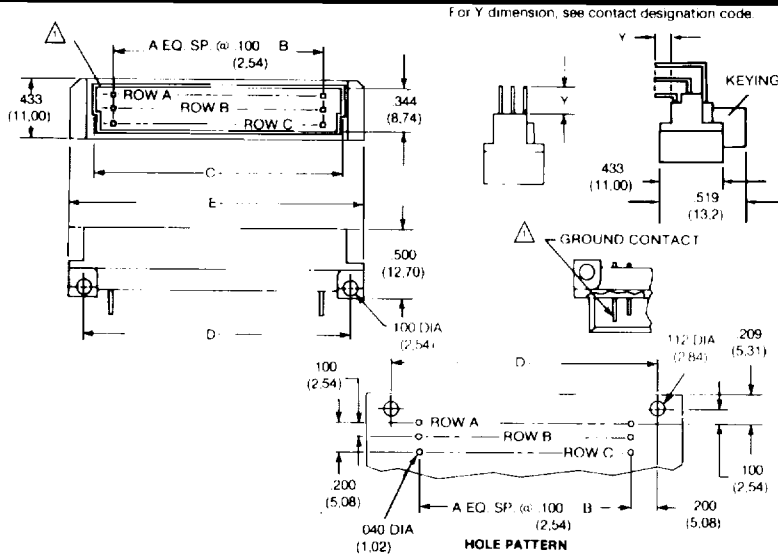
CODE#		DESCRIPTION	TERMINAL LENGTH = Y
009		Solder Eyelet Consult Factory	.205 (5,2)
011		P.C. contact, square terminal	.137 (3,5)
012		Straight wire wrap square terminal	.764 (19,4)
013		P.C. contact, right angle	.177 (4,5)

	Gold All Over		Gold Contact Area, Tin/Lead Terminal		
Class	DIN 41612 Class II	DIN 41612 Class III	DIN 41612 Class II	DIN 41612 Class III	
Cycle Life	400 Cycles	50 Cycles	400 Cycles	50 Cycles	
	Variation Code Numbers				Contact Loading Positions
	097	073	025	001	Fully loaded .100 (2,54) grid
	099	075	027	003	Row A Fully loaded .100 (2,54) grid

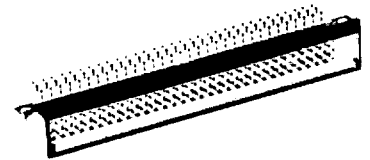
NOTE: For alternate loading and plating, please contact factory. Shaded variations recommended for standard applications. Available through ELCO franchised distributors.

# Expanded Style C, 1/2 C & 1/3 C Header

8457



Standard  
3-Row/4-Row/5-Row



**ORDERING CODE** Typical Example

10

8457

096

002

025

**PREFIX**

- 10 PIN WITHOUT KEYING
- 12 PIN WITH KEYING
- 16 PIN WITH BOARD RETENTION CLIP FOR .062" (1.6mm) BOARD WITHOUT KEYING
- 17 PIN WITH BOARD RETENTION CLIP FOR .062" (1.6mm) BOARD WITH KEYING

**SERIES**

**NUMBER OF CONTACT CAVITY POSITIONS**

Standard DIN, Style C, 1/2 C, & 1/3 C

NO. CONTACT POSITIONS	CONTACT ROWS	A	B	C	D	E	# POS.	CTC ROWS	A	B	C	D	E
△ 090	3 (3 x 10)	9	.900 (22.86)	1.158 (29.41)	1.300 (33.02)	1.497 (38.02)	128	4 (4X32)	Consult Factory				
048	3 (3 x 16)	15	1.500 (38.10)	1.760 (44.70)	1.900 (48.26)	2.122 (53.90)	160	5 (5X32)	Consult Factory				
096	3 (3 x 32)	31	3.100 (78.74)	3.358 (85.29)	3.500 (88.90)	3.697 (93.90)							

**CONTACT DESIGNATION CODE**

CODE NO.	DESCRIPTION	TERMINAL LENGTH Y	CODE NO.	DESCRIPTION	TERMINAL LENGTH = Y
001	sq. terminal P.C. contact	.134 (3.40)	004	P.C. contact right angled long for 2 wire wrap levels sq. terminal	.445 (11.30)
002	P.C. contact, right angled, short sq. terminal	.118 (3.00)	006	Solder Hole	Row A & C = .303 (7.70) Row B = .409 (10.4)
△ 102			007	Solder Loop	Row A & C = .252 (6.40) Row B = .358 (9.10)
003	Straight wire wrapping sq. terminal	.512 (13.00)	008	P.C. contact right angled, short, sq. terminal	.090 (2.3)

**VARIATION CODE**

	Gold All Over		Gold Contact Area, Tin/Lead Terminal		
Class	DIN 41612 Class II	DIN 41612 Class III	DIN 41612 Class II	DIN 41612 Class III	
Cycle Life	400 Cycles	50 Cycles	400 Cycles	50 Cycles	
	Variation Code Numbers				Contact Loading Positions
	097	073	025	001	Fully loaded .100 (2.54) grid
	098	074	026	002	Row A&C Fully loaded .100 (2.54) x .200 (5.08) grid

NOTE: For alternate loading and plating, please contact factory.

- △ Ground contact row a, first & last position.
- △ Not available with keying. Shaded variations recommended for standard applications. Available through ELCO franchised distributors.