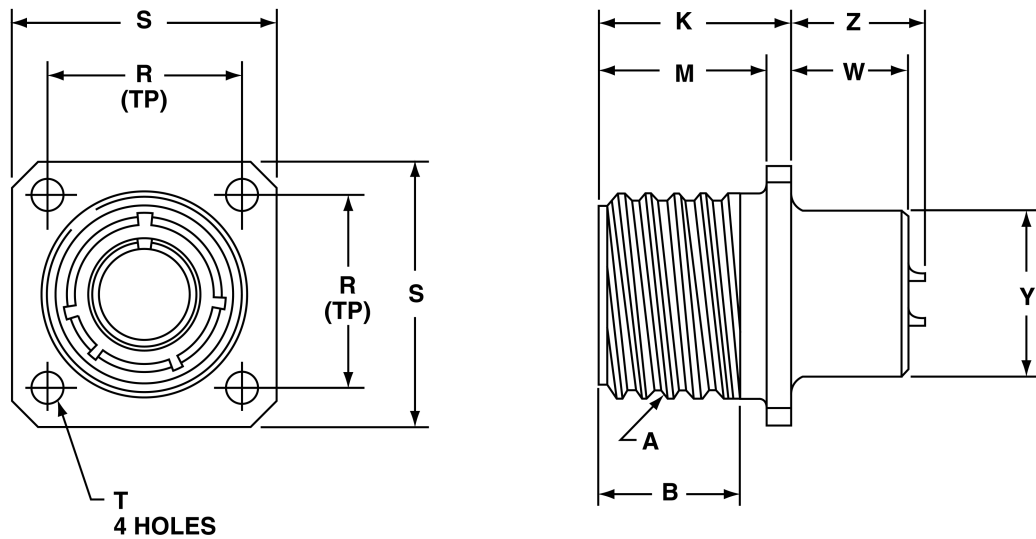


MIL-C-22992, QWLD MS17346 or 10-1942XX box mount receptacle



All dimensions for reference only.

| Part Number* | Shell Size | A Thread Class 2A (Plated) 0.1P-0.2L Double Stub | B Min Full Thd | K +.021 -.010 | M +.010 -.000 | R (TP) | S +.021 -.020 | T Dia +.004 -.003 | W +.020 -.030 | Y +.011 -.010 | Z Max |
|--------------|------------|--|----------------|---------------|---------------|--------|---------------|-------------------|---------------|---------------|-------|
| 10-194213 | 12 | .8750 | .672 | .938 | .797 | .906 | 1.188 | .150 | .640 | .640 | .700 |
| 10-194215 | 14 | 1.0000 | .672 | .938 | .797 | .969 | 1.281 | .150 | .640 | .765 | .700 |
| 10-194017 | 16 | 1.1250 | .672 | .938 | .797 | 1.062 | 1.375 | .150 | .640 | .890 | .700 |
| 10-194018 | 18 | 1.2500 | .672 | .953 | .797 | 1.156 | 1.500 | .177 | .625 | 1.015 | .686 |
| 10-194220 | 20 | 1.3750 | .672 | .953 | .797 | 1.250 | 1.625 | .177 | .625 | 1.171 | .686 |
| 10-194222 | 22 | 1.5000 | .672 | .953 | .797 | 1.375 | 1.750 | .177 | .625 | 1.296 | .686 |
| 10-194224 | 24 | 1.7500 | .672 | 1.047 | .859 | 1.562 | 2.000 | .177 | .594 | 1.421 | .585 |
| 10-194228 | 28 | 2.0000 | .672 | 1.047 | .859 | 1.750 | 2.250 | .177 | .594 | 1.625 | .591 |
| 10-194232 | 32 | 2.2500 | .672 | 1.110 | .922 | 1.938 | 2.500 | .209 | .531 | 1.891 | .528 |
| 10-194236 | 36 | 2.5000 | .672 | 1.110 | .922 | 2.188 | 2.750 | .209 | .531 | 2.078 | .528 |
| 10-194240 | 40 | 2.7500 | .672 | 1.110 | .922 | 2.375 | 3.000 | .209 | .531 | 2.312 | .528 |
| 10-194244 | 44 | 3.0000 | .672 | 1.110 | .922 | 2.625 | 3.250 | .209 | .531 | 2.562 | .778 |

*To complete 10- part number or to complete MS part number, see how to order, pg. 22.