

## FEATURES AND SPECIFICATIONS

### Features and Benefits

- FMLB/LMFB pins (extended/recessed)
- Board lock option
- Flux-proof option
- Solder tails for 1.6mm (.062") and 2.4mm (.094") PCBs

### Reference Information

Product Specification: PS-85013-0001

Packaging: Tray

UL File No.: E29179

CSA File No.: LR19980-390

Mates With:

[85042](#)—Straight female style C/2

[85052](#)—Right angle female style R/2

### Electrical

Current: 1.5A

### Physical

Housing: Glass-filled polyester, UL 94V-0

Contact: Brass

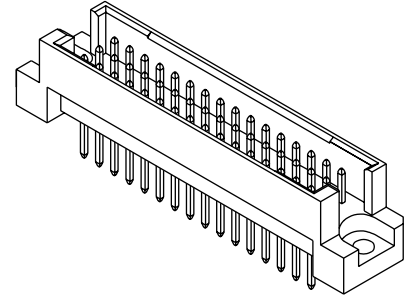
Operating Temperature: -55 to +125°C



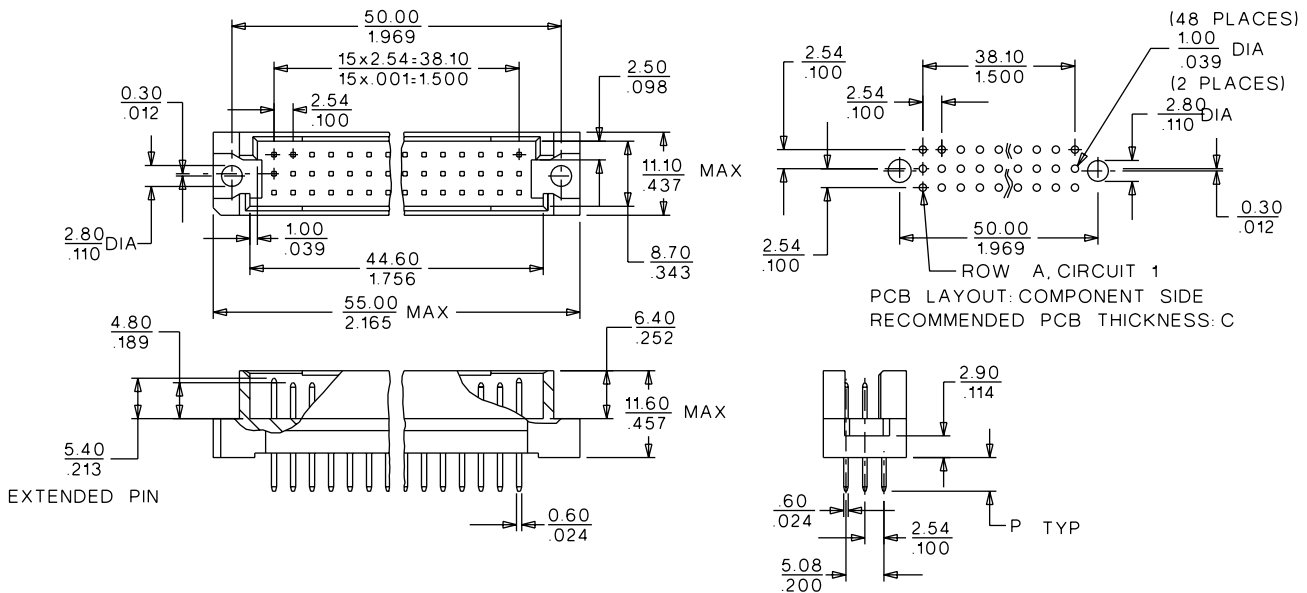
# 2.54mm (.100") Pitch DIN 41612/IEC 603-2 Connector

## 85013

## Male Style R/2



## CATALOG DRAWING (FOR REFERENCE ONLY)



Backplane Connector Systems



## ORDERING INFORMATION AND DIMENSIONS

Circuits	Order No.		Contact Loading	Rows	Solder Tail Dimension P	Option(s)
	Performance Level*					
	1	2				
32	85013-2103	85013-2000	Full	a, c	2.9 (.114)	
		85013-0050			4.5 (.177)	
		85013-2024			13.3 (.523)	
48	85013-1768	85013-2127	Full	a, b, c	2.9 (.114)	Board locks
		85013-1029				
		85013-2012			4.5 (.177)	
		85013-0074			13.3 (.523)	
		85013-2036				

For other versions contact Molex

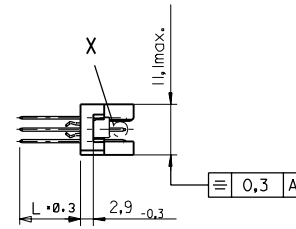
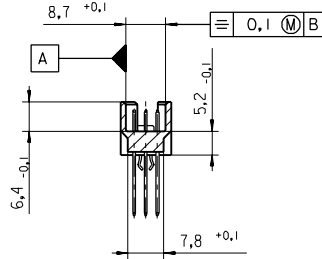
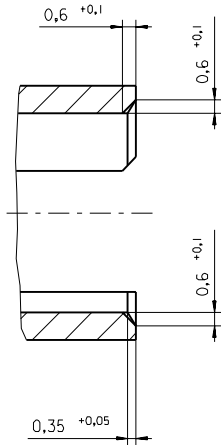
\* Performance levels based on test conditions per DIN 41612, part 5:

1: >500 mating cycles. 10 day industrial environment (S02)

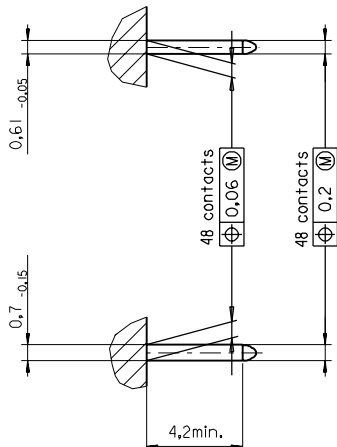
2: >400 mating cycles. 4 day industrial environment (S02)

PART NO.  
DWG. NO.

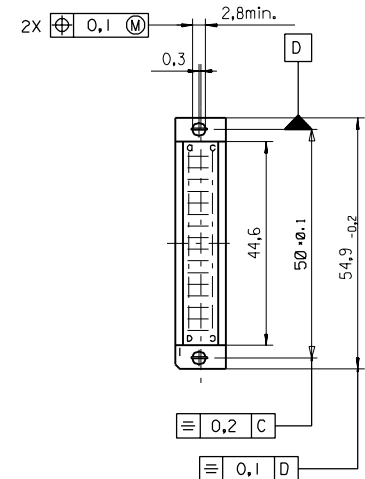
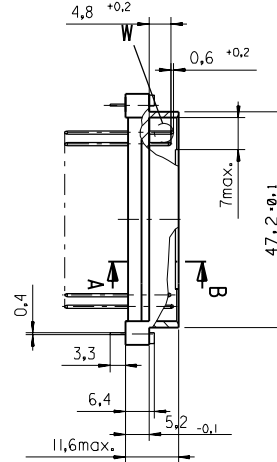
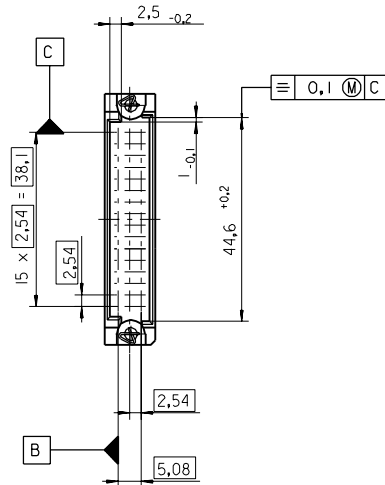
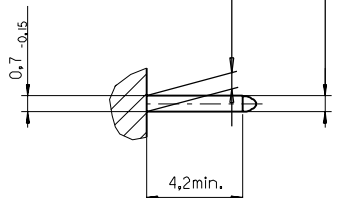
Section A - B  
5:1



View X  
5:1



View W  
5:1



FIRST ANGLE PROJECTION REVISE ONLY ON CAD SYSTEM SH. REV.

BI	first release see ECN No. 1887	LTR	REVISIONS	DRWG BY <b>Ca</b>	SIGN
	FOR PREVIOUS REVISIONS SEE MRI LIST		CHK'D BY <b>KN</b>		
			3 PLACE ± . ±	APP'D BY	SIGN
			2 PLACE ± . ±	SCALE	
			1 PLACE ± . ±	SCALE	
			DRAFT WHERE APPLICABLE MUST REMAIN WITHIN DIMENSIONS	SCALE	
			DESIGN DIMENSION <input checked="" type="checkbox"/> MM	SCALE	
			EQUIVALENT DIMENSION <input type="checkbox"/> MM	SCALE	
			<input type="checkbox"/> IN.	SCALE	
			<input type="checkbox"/> IN.	SCALE	
			<input type="checkbox"/> IN.	SCALE	
			IF TWO DIMENSIONS ARE SHOWN THE UPPER IS THE DESIGN DIMENSION, LOWER IS SECONDARY	SCALE	

CAD/CAM PROJECT NAME 85013000 821		THIS DRAWING CONTAINS INFORMATION THAT IS PROPRIETARY TO MOLEX INC. & SHOULD NOT BE USED WITHOUT WRITTEN PERMISSION	
TITLE <b>48 pos. Male connector acc. DIN 41612 style R/2 Dimensions</b>			
MOLEX MOLEX EUROPE		SHEET NO. 1 OF	DATE 95/06/08
PART NO.	DWG NO. SDA-85013-0002	SIZE B	

5

4

3

2

VIEW ON MATING SIDE

∩	A	A	A	A	A	A	A	A	A	A	A	A	A	A	A	A
∩																
∩	A	A	A	A	A	A	A	A	A	A	A	A	A	A	A	A

1 2 3 4 5 6 7 8 9 10 11 12 13 14 15 16 17 18 19 20 21 22 23 24 25 26 27 28 29 30 31 32

A = 32 STANDARD CONTACTS L=4,5

Marking	Standard
Performance level	G2/0 = Contact area perform. level2 / Termination fin
Flux proof	no
Fixing clip	no
Dimensions	SDA-85013-0002 sht.1
Technical Data	PS-85013-0001

A G2/0 a1-16 c1-16

Contact symbol	Perform. level	Contact position number
----------------	----------------	-------------------------

first release  
 see ECN No. 1868

REVISIONS

FOR PREVIOUS REVISIONS SEE MRI LIST

INCH	METRIC
3 PLACE ± •	±
2 PLACE ± •	±
1 PLACE ± •	±

DRAFT WHERE APPLICABLE MUST REMAIN WITHIN DIMENSIONS

DESIGN DIMENSION  MM  IN.EQUIVALENT DIMENSION  MM  IN.

IF TWO DIMENSIONS ARE SHOWN, THE UPPER IS THE DESIGN DIMENSION, LOWER IS SECONDARY

UNLESS OTHERWISE SPECIFIED TOLERANCES: ANGULAR ±2°

3 PLACE ± •	±
2 PLACE ± •	±
1 PLACE ± •	±

DRAFT WHERE APPLICABLE MUST REMAIN WITHIN DIMENSIONS

DESIGN DIMENSION  MM  IN.EQUIVALENT DIMENSION  MM  IN.

IF TWO DIMENSIONS ARE SHOWN, THE UPPER IS THE DESIGN DIMENSION, LOWER IS SECONDARY

CAD/CAM PROJECT NAME

s8501300 s51

THIS DRAWING CONTAINS INFORMATION THAT IS PROPRIETARY TO MOLEX INC. &amp; SHOULD NOT BE USED WITHOUT WRITTEN PERMISSION

TITLE

48 pos. Male connector acc. DIN 41612 style R/2 contacts arrangement

REVISE ONLY ON CAD SYSTEM

SH. REV.

SHEET NO. DATE

1 OF 1 95/06/07

MOLEX PROJECT NAME

s8501300 s51

MOLEX EUROPE

SDA-85013-0050

5

4

3

2

F

E

D

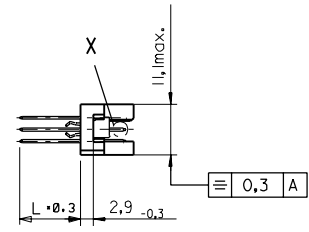
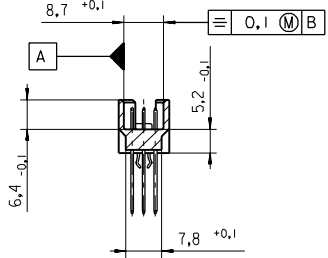
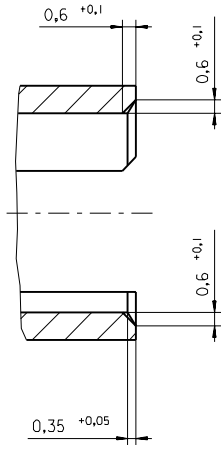
C

B

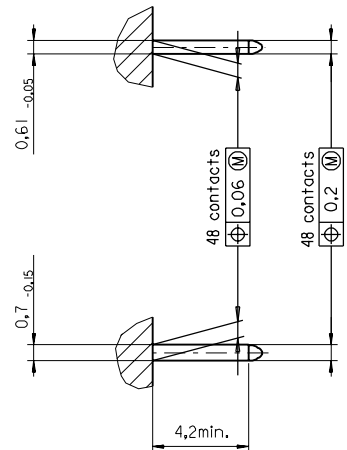
A

PART NO.  
DWG. NO.

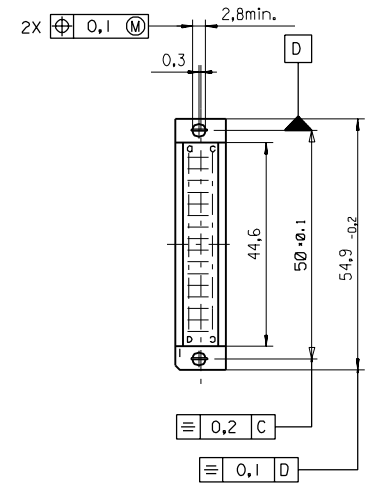
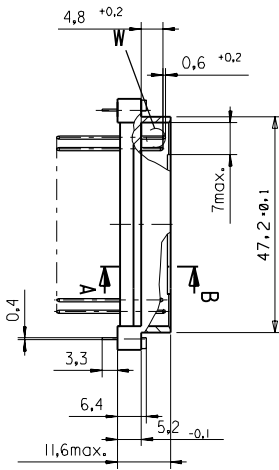
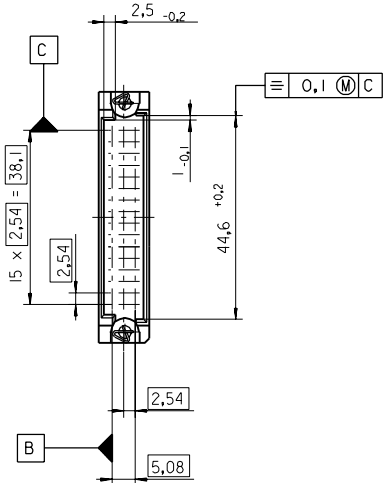
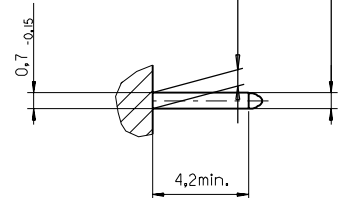
Section A - B  
5:1



View X  
5:1



View W  
5:1



FIRST ANGLE PROJECTION		REVISE ONLY ON CAD SYSTEM		SH.	REV.
first release see ECN No. 1887	REVISIONS FOR PREVIOUS REVISIONS SEE MRI LIST	UNLESS OTHERWISE SPECIFIED TOLERANCES: ANGULAR ±2°	DRWG BY <b>Ca</b>	CAD/CAM PROJECT NAME 85013000 821	
		INCH      METRIC	CHK'D BY <b>KN</b>	THIS DRAWING CONTAINS INFORMATION THAT IS PROPRIETARY TO MOLEX INC. & SHOULD NOT BE USED WITHOUT WRITTEN PERMISSION	
		3 PLACE ± .      ±		TITLE <b>48 pos. Male connector acc. DIN 41612 style R/2 Dimensions</b>	
		2 PLACE ± .      ±		SHEET NO. DATE 1 OF 95/06/08	
		1 PLACE ± .      ±		MOLEX EUROPE	
		DRAFT WHERE APPLICABLE MUST REMAIN WITHIN DIMENSIONS	APP'D BY	PART NO.      DWG NO.      SIZE	
		DESIGN DIMENSION <input checked="" type="checkbox"/> MM <input type="checkbox"/> IN.	SCALE	SDA-85013-0002      B	
		EQUIVALENT DIMENSION <input type="checkbox"/> MM <input type="checkbox"/> IN.			
		IF TWO DIMENSIONS ARE SHOWN THE UPPER IS THE DESIGN DIMENSION, LOWER IS SECONDARY			

