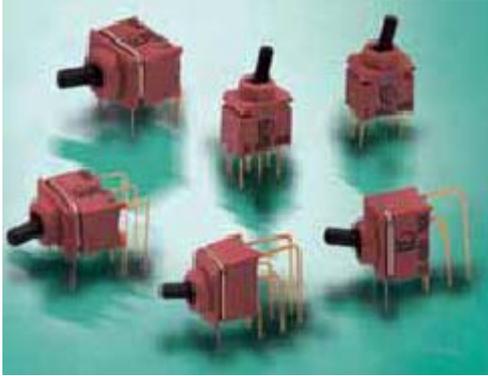


Toggle Switches

Ultra-Minature - Sealed



Specifications:

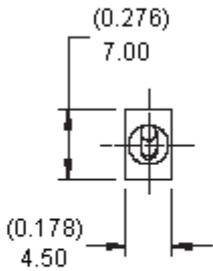
Contact Rating	: 0.4 volt-amps (VA) maximum at 20V AC or DC maximum.
Mechanical Life	: 40,000 make-and-break cycles.
Contact Resistance	: Below 100mΩ typical at 2 to 4V dc, 100mA.
Minimum Insulation Resistance	: 500MΩ.
Dielectric Strength	: 500VRMS at sea level.
Operating Temperature	: -30°C to 85°C.

Materials:

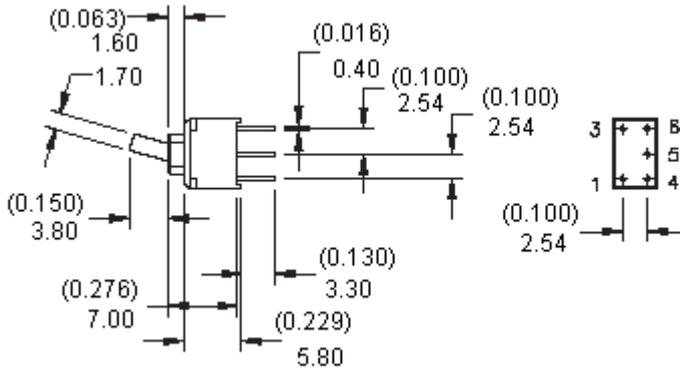
Actuator	: Glass filled nylon 6/6, heat stabilized, with standard internal o-ring seal.
Housing and base	: Glass filled nylon 66 or 4/6, heat stabilized.
Switch Support	: Brass or steel, tin plated.

Pole Option

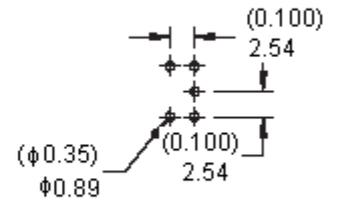
M2RE



SPDT



PCB Mounting



Dimensions : Millimetres (Inches)



Toggle Switches

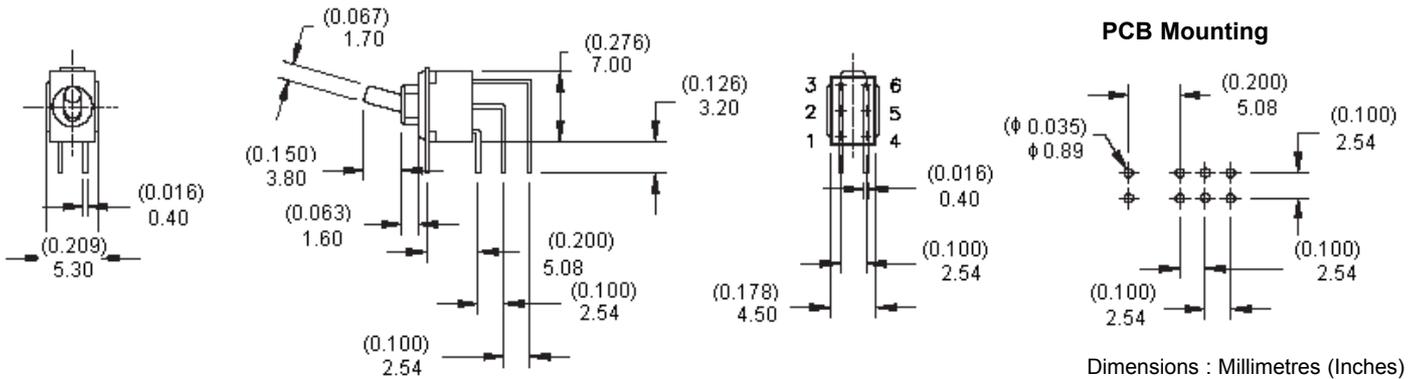
Ultra-Minature - Sealed



Pole Option

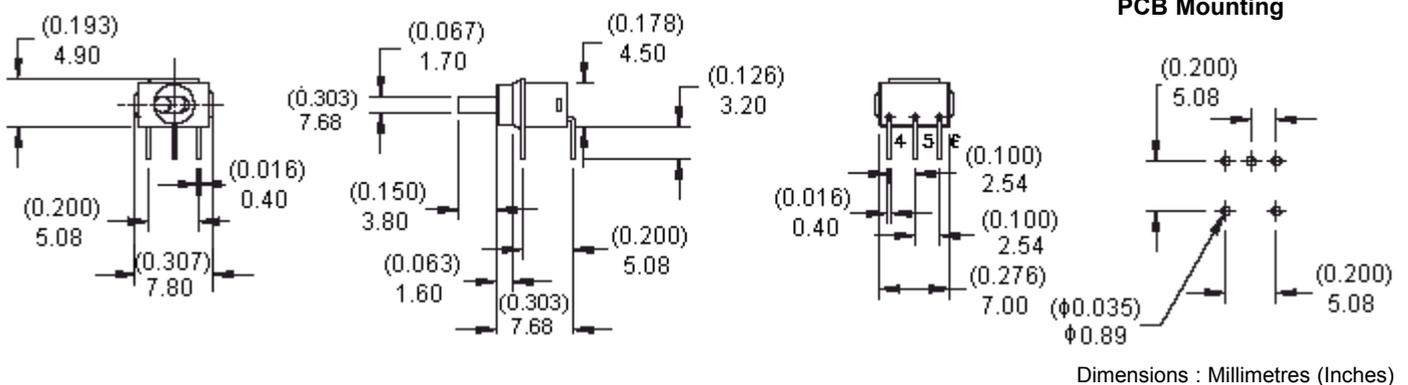
M2RE

DPDT



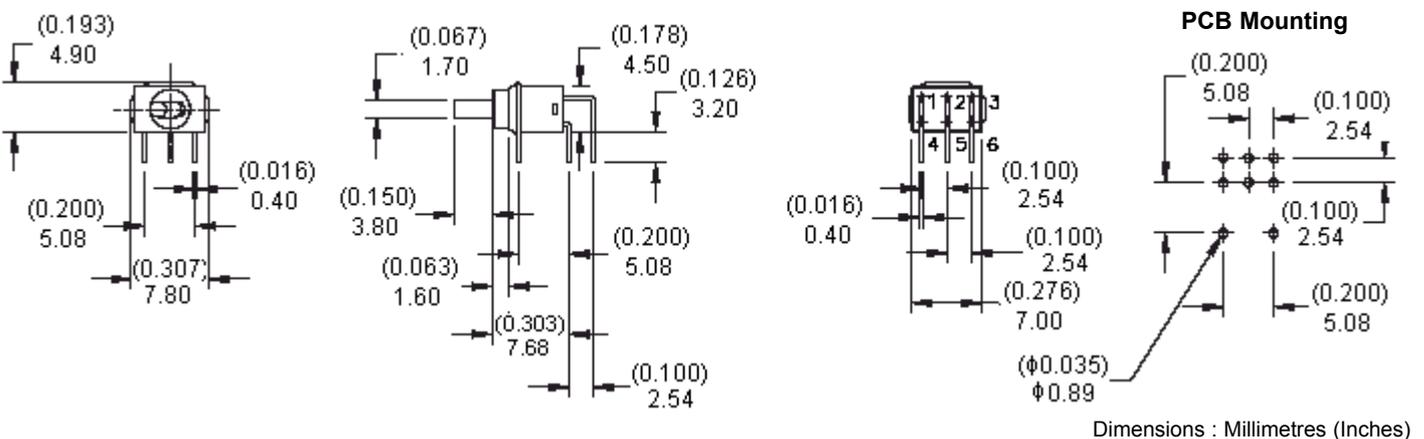
M6RE

SPDT



M6RE

DPDT



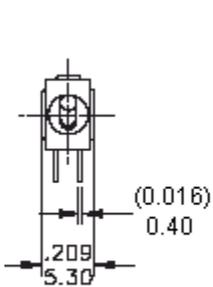
Toggle Switches

Ultra-Minature - Sealed

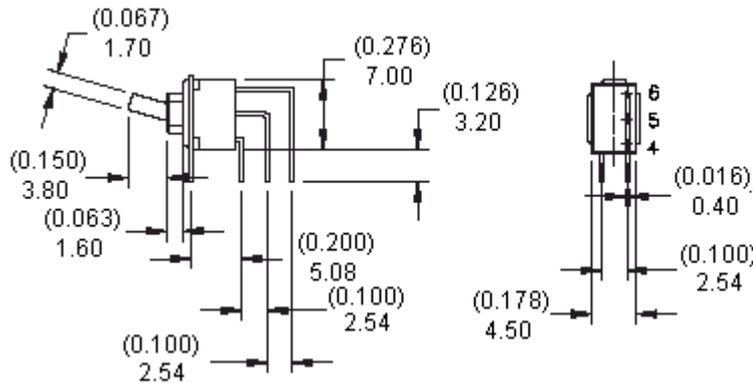


Pole Option

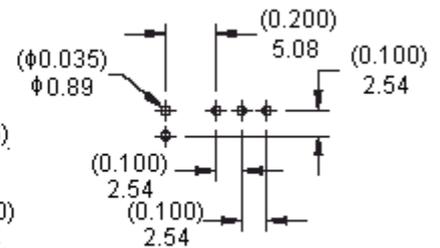
M7RE



SPDT

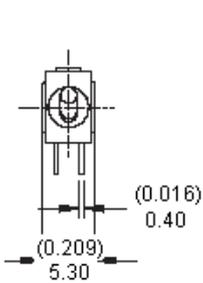


PCB Mounting

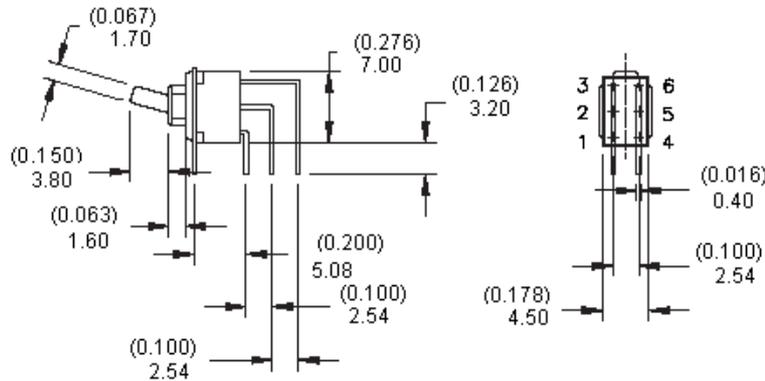


Dimensions : Millimetres (Inches)

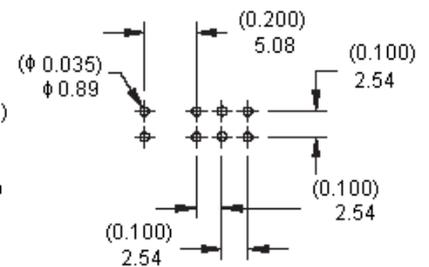
M7RE



DPDT



PCB Mounting



Dimensions : Millimetres (Inches)

Soldering Process:

Manual soldering: Use soldering iron of 30 watts, controlled at 350°C approximately 5 seconds while applying solder.

Wave soldering:

Recommended soldering temperature : 260 ±5°C.

Duration of solder immersion: 5 ±1 seconds (PCB is 1.6mm in thickness).

Soldering: Vapour phase.

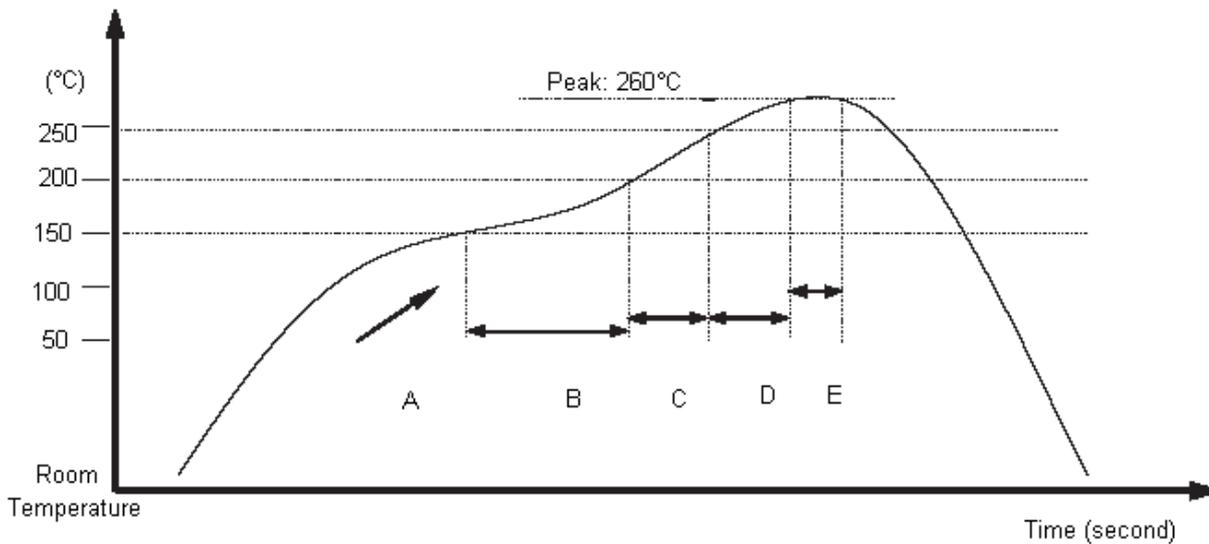


Toggle Switches

Ultra-Minature - Sealed



Temperature Profile		
Zone	Room Temperature (°C)	Time (seconds)
Pre-heat (A)	150°C	Minimum 120
Soak (B)	180°C to 200°C	Minimum 150
Peak (C)	200°C to 235°C	Minimum 30
Peak (D)	235°C to 260°C	Minimum 40
Peak (E)	260°C	Maximum 10



Specifications

Number of Poles	Switch Function			Connected Terminals/Schematic			Model Number
	Position 1	Position 2	Position 3	Position 1	Position 2	Position 3	
SP	On	None	On	5 - 6 4* 6	N/A	5 - 4 5* 6 4* 6	2US1
			Mom				2US2
		Off	On	Open	2US3		
DP	On	None	On	2 - 3, 5 - 6 2 (Comm) 1* 3 4* 6	N/A	2 - 1, 5 - 4 2 (Comm) 1* 3 4* 6	2UD1
			Mom				2UD2
	On	Off	On	Open	2UD3		

Mom = Momentary



Toggle Switches

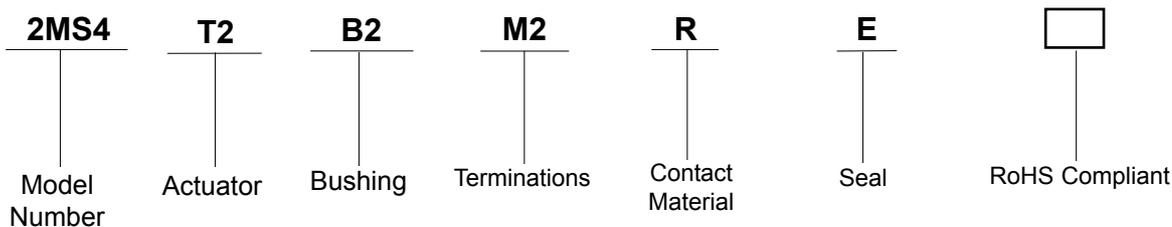
Ultra-Minature - Sealed



Specification Table

Description	Part Number
Switch, Ultraminiature, SPDT, On-Mom	2US2T1A1M2RE
Switch, Ultraminiature, SPDT, On-On	2US1T1A1M2RE
Switch, Ultraminiature, SPDT, On-Off-On	2US3T1A1M2RE
Switch, Ultraminiature, DPDT, On-Mom	2UD2T1A1M2RE
Switch, Ultraminiature, DPDT, On-On	2UD1T1A1M2RE
Switch, Ultraminiature, DPDT, On-Off-On	2UD3T1A1M2RE
Switch, Ultraminiature, Horizontal R/A, SPDT, On-Mom	2US2T1A1M6RE
Switch, Ultraminiature, Horizontal R/A, SPDT, On-On	2US1T1A1M6RE
Switch, Ultraminiature, Horizontal R/A, SPDT, On-Off-On	2US3T1A1M6RE
Switch, Ultraminiature, Horizontal R/A, DPDT, On-Mom	2UD2T1A1M6RE
Switch, Ultraminiature, Horizontal R/A, DPDT, On-On	2UD1T1A1M6RE
Switch, Ultraminiature, Horizontal R/A, DPDT, On-Off-On	2UD3T1A1M6RE
Switch, Ultraminiature, Vertical R/A, SPDT, On-Mom	2US2T1A1M7RE
Switch, Ultraminiature, Vertical R/A, SPDT, On-On	2US1T1A1M7RE
Switch, Ultraminiature, Vertical R/A, SPDT, On-Off-On	2US3T1A1M7RE
Switch, Ultraminiature, Vertical R/A, DPDT, On-Mom	2UD2T1A1M7RE
Switch, Ultraminiature, Vertical R/A, DPDT, On-On	2UD1T1A1M7RE
Switch, Ultraminiature, Vertical R/A, DPDT, On-Off-On	2UD3T1A1M7RE

Part Number Explanation:



- Model Number** : 2US1 = SP On-None-On, 2US2 = SP On-None-Mom, 2US3 = SP On-Off-On, 2UD1 = DP On-None-On, 2UD2 = DP On-None-Mom and 2UD3 = DP On-Off-On.
- Actuator** : T1 = 3.80 High (std).
- Bushing** : A1 = 1.60 High (std).
- Terminations** : M2 = PVC Through Hole, M6 = Right Angle, PVC Through Hole and M7 = Vertical Right Angle, PVC Through Hole.
- Contact Material** : R = Gold.
- Seal** : E = Epoxy (std).

