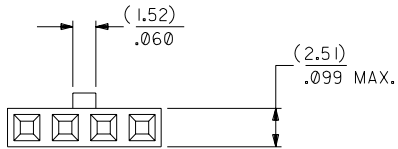


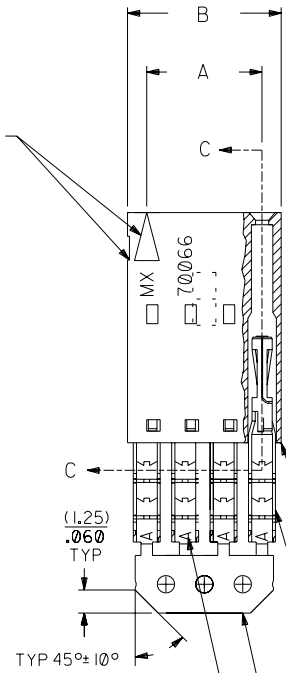
OPTION E



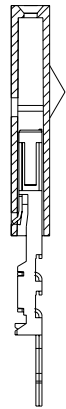
NOTES:

- 1) TO BE USED WITH (24) AWG. STRANDED WIRE WITH (1.35)/.053 DIA. MAX. INSULATION.
- 2) SEE CHART FOR CIRCUIT SIZES.
- 3) STANDARD PACKAGING PER PK-70400-0001. OPTIONAL PACKAGING MAY BE AVAILABLE, REQUEST DWG. PK-70400
- 4) PARTS STACKABLE END TO END ON (2.54)/.100 CENTERS.
- 5) REFER TO PRODUCT SPECIFICATION: PS-70400.
- 6) SEE DWG. SDA-70400-**** (SHT. 5) FOR OPTIONAL HOUSING DETAILS.
- 7) 4 CIRCUIT SHOWN.
- 8) TO MATE WITH MOLEX PART NO.'S.: A-70390-****, A-70392-****, A-70374-****, A-70376-****, A-70542-****, A-70552-****, A-70544-****, A-70554-****, A-70546-****, A-70556-****, A-70558-****.
- 9) 2 CIRCUIT ASSEMBLIES SUPPLIED AS GROUPED PAIRS.

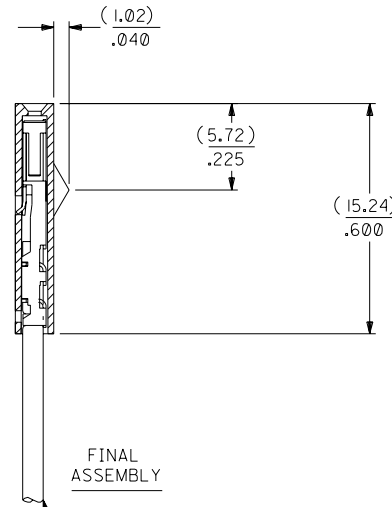
CIRCUIT NO. 1
SLOT OR ARROW



SECTION C-C



PRE-LOADED ASSEMBLY



FINAL ASSEMBLY

HOUSING PART NO. 70066-****
MATERIAL: G.F. POLYESTER, 94V-0

TERMINAL PART NO. 70028-****
MATERIAL: PHOSPHOR BRONZE
PLATING PER ES-88-***

TIN - .000150 MIN. TIN OVER
.000050 MIN. NICKEL PLATE.

*THE PRIMARY SHIPPING CARTON WILL BE LABELED "COMPLIANT TO ROHS DIRECTIVE 2002/95/EC AND ELV ANNEX II OF DIRECTIVE 2000/53/EC". CARTONS WITHOUT THIS LABEL MAY CONTAIN PRODUCT WITH LEAD.

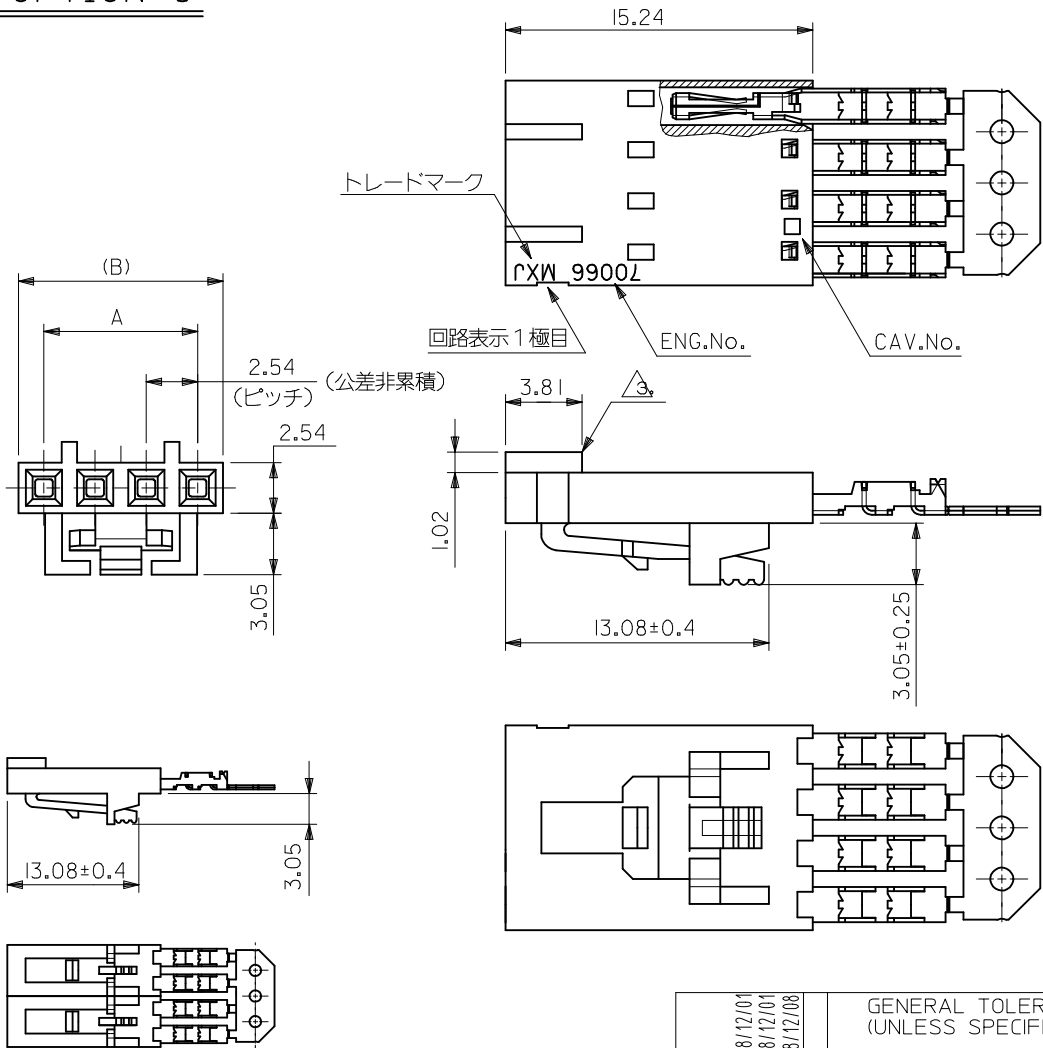
| I.D. SLOT CODE TO WIRE GAUGE CHART | |
|------------------------------------|------------|
| I.D. SLOT CODE | WIRE GAUGE |
| A | 24 AWG. |

| PLATING CODE (STRIPE ON CARRIER STRIP) | |
|--|-------|
| PLATING | COLOR |
| TIN | NONE |

| CKT. SIZE | DIMENSIONS (INCH) | | EDP. NO. | ENG. NO. |
|-----------|--------------------|--------------------|----------|----------|
| | A | B | | |
| 2 | (2.54) .100 | (5.05) .199 | | |
| 3 | (5.08) .200 | (7.59) .299 | | |
| 4 | (7.62) .300 | (10.13) .399 | | |
| 5 | (10.16) .400 | (12.67) .499 | | |
| 6 | (12.70) .500 | (15.21) .599 | | |
| 7 | (15.24) .600 | (17.75) .699 | | |
| 8 | (17.78) .700 | (20.29) .799 | | |
| 9 | (20.32) .800 | (22.83) .899 | | |
| 10 | (22.86) .900 | (25.37) .999 | | |
| 11 | (25.54) 1.000 | (27.91) 1.099 | | |
| 12 | (27.94) 1.100 | (30.45) 1.199 | | |
| 13 | (30.48) 1.200 | (32.99) 1.299 | | |
| 14 | (33.02) 1.300 | (35.53) 1.399 | | |
| 15 | (35.56) 1.400 | (38.07) 1.499 | | |
| 16 | (38.01) 1.500 | (40.61) 1.599 | | |
| 17 | (40.64) 1.600 | (43.15) 1.699 | | |
| 18 | (43.18) 1.700 | (45.69) 1.799 | | |
| 19 | (45.72) 1.800 | (48.23) 1.899 | | |
| 20 | (48.26) 1.900 | (50.77) 1.999 | | |
| 21 | (50.80) 2.000 | (53.31) 2.099 | | |
| 22 | (53.34) 2.100 | (55.85) 2.199 | | |
| 23 | (55.88) 2.200 | (58.39) 2.299 | | |
| 24 | (58.42) 2.300 | (60.93) 2.399 | | |
| 25 | (60.96) 2.400 | (63.47) 2.499 | | |

| | | | |
|--|--|--|--|
| DIMENSIONS SHOWN (METRIC) INCH UNLESS OTHERWISE SPECIFIED TOLERANCES: ANGULAR ± 1/2° | | MFG. SH. REV. | |
| 3 PLACE ± .010 --- 2 PLACE ± .014 ± 0.25 1 PLACE --- ± 0.35 | | REVISE ONLY ON CAD SYSTEM | |
| DRAFT WHERE APPLICABLE MUST REMAIN WITHIN DIMENSIONS | | TITLE ASSEMBLY, SL CONNECTOR (SINGLE ROW- (2.54)/.100 GRID) | |
| DRWG. BY: [] CHK'D. BY: [] APP'D. BY: [] SCALE: 4:1 | | MOLEX INCORPORATED SHEET NO. DATE / / LITSE, ILL. 60532 U.S.A. | |
| L.T.R. REVISIONS L.T.R. REVISIONS | | PART NO. DRWG. NO. | |
| | | FILE NAME: THIS DRAWING CONTAINS INFORMATION THAT IS PROPRIETARY TO MOLEX INC. AND SHOULD NOT BE USED WITHOUT WRITTEN PERMISSION. DIV. DA SIZE C | |

OPTION G



注記:

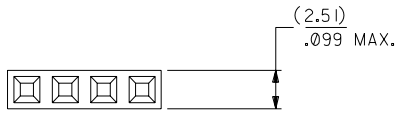
1. 材料
ハウジング：ガラス入りポリエステル UL 94V-0
ターミナル：磷青銅
2. 仕上げ
接点部：金メッキ 0.38 μm MIN.
圧接部：錫メッキ 1.91 μm MIN.
下地メッキ：ニッケルメッキ 1.27 μm MIN.
3. 極性リブは、2極及び3極の場合1箇所のみとする。
但し3極の場合のリブは、1極目と2極目の間とする。
4. 適合オスコネクター：70107-****, 70018-****
5. 適合ヘッダー：70389-****, 70391-****
6. ハウジングの色：黒

| | | | |
|-------|-------|--------------|----|
| 60.96 | 58.42 | 70400-0688 | 24 |
| 58.42 | 55.88 | 70400-0687 | 23 |
| 48.26 | 45.72 | 70400-0683 | 19 |
| 40.64 | 38.10 | 70400-0680 | 16 |
| 38.10 | 35.56 | 70400-0679 | 15 |
| 35.56 | 33.02 | 70400-0678 | 14 |
| 33.02 | 30.48 | 70400-0677 | 13 |
| 27.94 | 25.40 | 70400-0675 | 11 |
| 25.40 | 22.86 | 70400-0674 | 10 |
| 22.86 | 20.32 | 70400-0673 | 9 |
| (B) | A | MATERIAL No. | 極数 |

2極の場合
(SCALE:2-1)

| | | | | | | | | | | |
|--|--|-------|----------------------------|--|--|--|--|--|---------------------------|--|
| REVISED EC NO: J2009-0453 DRWN: YOSHIDAM 2008/12/01 CHKD: THARUYAMA 2008/12/01 APPR: NUKITA 2008/12/08 | GENERAL TOLERANCES (UNLESS SPECIFIED) | | DIMENSION STYLE MM ONLY | | SCALE 4:1 | | DESIGN UNITS METRIC | | THIRD ANGLE PROJECTION | |
| | 10 UNDER | ±0.2 | DRAWN BY T. FURUHATA | | DATE '87/11/17 | | TITLE 2.54 SINGLE ROW ASSY FEMALE I.D.CONN OPTION G -LEAD FREE- | | | |
| | 10 OVER 30 UNDER | ±0.25 | CHECKED BY M. SASAO | | DATE | | MOLEX INCORPORATED | | | |
| | 30 OVER | ±0.3 | APPROVED BY S. YAMADA | | DATE | | DOCUMENT NO. SD-70400-010 | | SHEET NO. 1 OF 1 | |
| REV | ANGULAR ±3 ° DRAFT WHERE APPLICABLE MUST REMAIN WITHIN DIMENSIONS | | SEE TABLE | | THIS DRAWING CONTAINS INFORMATION THAT IS PROPRIETARY TO MOLEX INCORPORATED AND SHOULD NOT BE USED WITHOUT WRITTEN PERMISSION | | | | | |

OPTION A

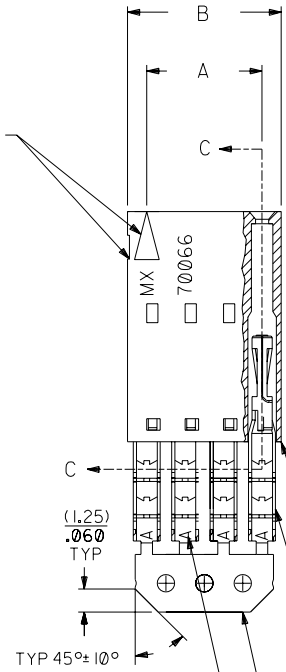


NOTES:

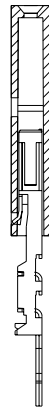
- 1) TO BE USED WITH (24) AWG. STRANDED WIRE WITH (1.35)/.053 DIA. MAX. INSULATION.
- 2) SEE CHART FOR CIRCUIT SIZES.
- 3) STANDARD PACKAGING PER PK-70873-0001. OPTIONAL PACKAGING MAY BE AVAILABLE, REQUEST DWG. PK-70400
- 4) PARTS STACKABLE END TO END AND SIDE BY SIDE ON (2.54)/.100 CENTERS.
- 5) REFER TO PRODUCT SPECIFICATION: PS-70400.
- 6) SEE DWG. SDA-70400-**** (SHT. 5) FOR OPTIONAL HOUSING DETAILS.
- 7) 4 CIRCUIT SHOWN.
- 8) TO MATE WITH MOLEX (2.54)/.100 CENTERLINE HEADERS.

9) 2 CIRCUIT ASSEMBLIES SUPPLIED AS GROUPED PAIRS.

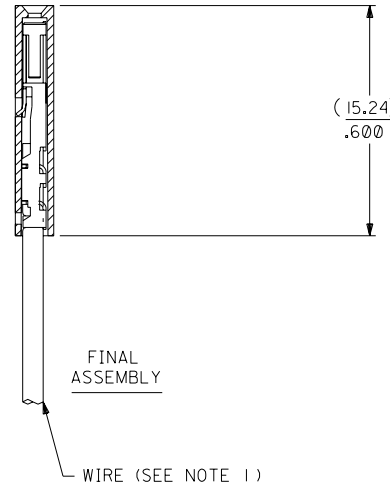
CIRCUIT NO. 1
SLOT OR ARROW



SECTION C-C



PRE-LOADED ASSEMBLY



FINAL ASSEMBLY

HOUSING PART NO. 70066-****
MATERIAL: G.F. POLYESTER, 94V-0

TERMINAL PART NO. 70028-****
MATERIAL: PHOSPHOR BRONZE
PLATING PER ES-88-***

15 GOLD - .000015 MIN. GOLD IN SELECT AREA WITH .000075 MIN. TIN IN SELECT AREA OVER .000050 MIN. NICKEL OVER-ALL.

*THE PRIMARY SHIPPING CARTON WILL BE LABELED "COMPLIANT TO ROHS DIRECTIVE 2002/95/EC AND ELV ANNEX II OF DIRECTIVE 2000/53/EC". CARTONS WITHOUT THIS LABEL MAY CONTAIN PRODUCT WITH LEAD.

| I.D. SLOT CODE TO WIRE GAUGE CHART | |
|------------------------------------|------------|
| I.D. SLOT CODE | WIRE GAUGE |
| A | 24 AWG. |

| PLATING CODE (STRIPE ON CARRIER STRIP) | |
|--|--------|
| PLATING | COLOR |
| 15 GOLD | YELLOW |

| CKT. SIZE | DIMENSIONS (INCH) | | EDP. NO. | ENG. NO. |
|-----------|--------------------|--------------------|------------|--------------|
| | A | B | | |
| 2 | (2.54) .100 | (5.05) .199 | 14-56-2021 | A-70400-0526 |
| 3 | (5.08) .200 | (7.59) .299 | 14-56-2031 | A-70400-0527 |
| 4 | (7.62) .300 | (10.13) .399 | 14-56-2041 | A-70400-0528 |
| 5 | (10.16) .400 | (12.67) .499 | 14-56-2051 | A-70400-0529 |
| 6 | (12.70) .500 | (15.21) .599 | 14-56-2061 | A-70400-0530 |
| 7 | (15.24) .600 | (17.75) .699 | 14-56-2071 | A-70400-0531 |
| 8 | (17.78) .700 | (20.29) .799 | 14-56-2081 | A-70400-0532 |
| 9 | (20.32) .800 | (22.83) .899 | 14-56-2091 | A-70400-0533 |
| 10 | (22.86) .900 | (25.37) .999 | 14-56-2101 | A-70400-0534 |
| 11 | (25.54) 1.000 | (27.91) 1.099 | 14-56-2111 | A-70400-0535 |
| 12 | (27.94) 1.100 | (30.45) 1.199 | 14-56-2121 | A-70400-0536 |
| 13 | (30.48) 1.200 | (32.99) 1.299 | 14-56-2131 | A-70400-0537 |
| 14 | (33.02) 1.300 | (35.53) 1.399 | 14-56-2141 | A-70400-0538 |
| 15 | (35.56) 1.400 | (38.07) 1.499 | 14-56-2151 | A-70400-0539 |
| 16 | (38.01) 1.500 | (40.61) 1.599 | 14-56-2161 | A-70400-0540 |
| 17 | (40.64) 1.600 | (43.15) 1.699 | 14-56-2171 | A-70400-0541 |
| 18 | (43.18) 1.700 | (45.69) 1.799 | 14-56-2181 | A-70400-0542 |
| 19 | (45.72) 1.800 | (48.23) 1.899 | 14-56-2191 | A-70400-0543 |
| 20 | (48.26) 1.900 | (50.77) 1.999 | 14-56-2201 | A-70400-0544 |
| 21 | (50.80) 2.000 | (53.31) 2.099 | 14-56-2211 | A-70400-0545 |
| 22 | (53.34) 2.100 | (55.85) 2.199 | 14-56-2221 | A-70400-0546 |
| 23 | (55.88) 2.200 | (58.39) 2.299 | 14-56-2231 | A-70400-0547 |
| 24 | (58.42) 2.300 | (60.93) 2.399 | 14-56-2241 | A-70400-0548 |
| 25 | (60.96) 2.400 | (63.47) 2.499 | 14-56-2251 | A-70400-0549 |

| I.D. SLOT CODE TO WIRE GAUGE CHART | |
|------------------------------------|------------|
| I.D. SLOT CODE | WIRE GAUGE |
| A | 24 AWG. |

| PLATING CODE (STRIPE ON CARRIER STRIP) | |
|--|--------|
| PLATING | COLOR |
| 15 GOLD | YELLOW |

| REV. NO. | DATE | BY | CHK'D. BY | SCALE |
|----------|-----------|------|-----------|-------|
| E | | | | |
| D | | | | |
| C | | | | |
| LTR. | REVISIONS | LTR. | REVISIONS | |

| DIMENSIONS SHOWN (METRIC) INCH | |
|---|---------------|
| UNLESS OTHERWISE SPECIFIED TOLERANCES: ANGULAR ± 1/2° | |
| 3 PLACE | ± .010 |
| 2 PLACE | ± .014 ± 0.25 |
| 1 PLACE | ± 0.35 |

| REVISE ONLY ON CAD SYSTEM | |
|--|--|
| TITLE | ASSEMBLY, SL CONNECTOR (SINGLE ROW- (2.54)/.100 GRID) |
| MOLEX INCORPORATED LITSE, ILL. 60532 U.S.A. | SHEET NO. 10/09/84 |
| PART NO. SDA-70400-0526-0549 | DRWG. NO. SDA-70400-0526-0549 |
| FILE NAME: S70400AX4 | THIS DRAWING CONTAINS INFORMATION THAT IS PROPRIETARY TO MOLEX INC. AND SHOULD NOT BE USED WITHOUT WRITTEN PERMISSION. |