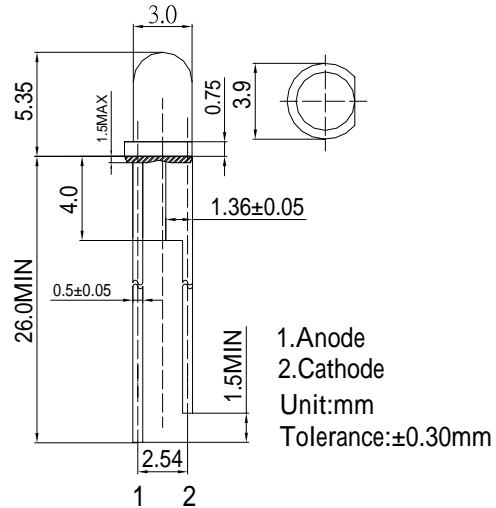


**Features**

- High Luminous LEDs
- 3mm Standard Directivity
- Superior Weather-resistance
- UV Resistant Epoxy
- Water Clear Type

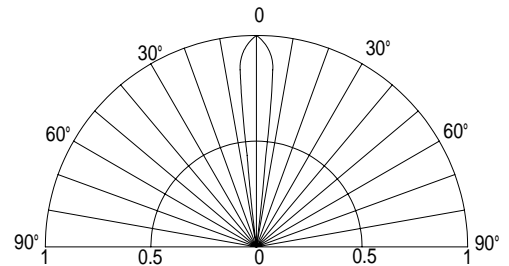
**Applications**

- Traffic Signal
- Backlighting
- Signal and channel letter
- Other Lighting

**Outline Dimension**

**Absolute Maximum Rating (Ta=25 °C)**

| Item                       | Symbol    | Value      | Unit |
|----------------------------|-----------|------------|------|
| DC Forward Current         | $I_F$     | 50         | mA   |
| Pulse Forward Current*     | $I_{FP}$  | 120        | mA   |
| Reverse Voltage            | $V_R$     | 5          | V    |
| Power Dissipation          | $P_D$     | 130        | mW   |
| Operating Temperature      | $T_{opr}$ | -30 ~ +85  |      |
| Storage Temperature        | $T_{stg}$ | -40 ~ +100 |      |
| Lead Soldering Temperature | $T_{sol}$ | 260 / 5sec | -    |

\*Pulse width Max.10ms Duty ratio max 1/10

**Directivity**

**Electrical -Optical Characteristics (Ta=25 °C)**

| Item               | Symbol          | Condition  | Min. | Typ.  | Max. | Unit    |
|--------------------|-----------------|------------|------|-------|------|---------|
| DC Forward Voltage | $V_F$           | $I_F=30mA$ | 2.0  | 2.2   | 2.6  | V       |
| DC Reverse Current | $I_R$           | $V_R=5V$   | -    | -     | 10   | $\mu A$ |
| Domi. Wavelength   | $\lambda_D$     | $I_F=30mA$ | 619  | 624   | 629  | nm      |
| Luminous Intensity | $I_v$           | $I_F=30mA$ | -    | 13000 | -    | mcd     |
| 50% Power Angle    | $2\theta_{1/2}$ | $I_F=30mA$ | -    | 15    | -    | deg     |

\*1 Tolerance of dominant wavelength is  $\pm 1nm$

\*2 Tolerance of luminous intensity is  $\pm 15\%$

**Maximum Forward Current**
