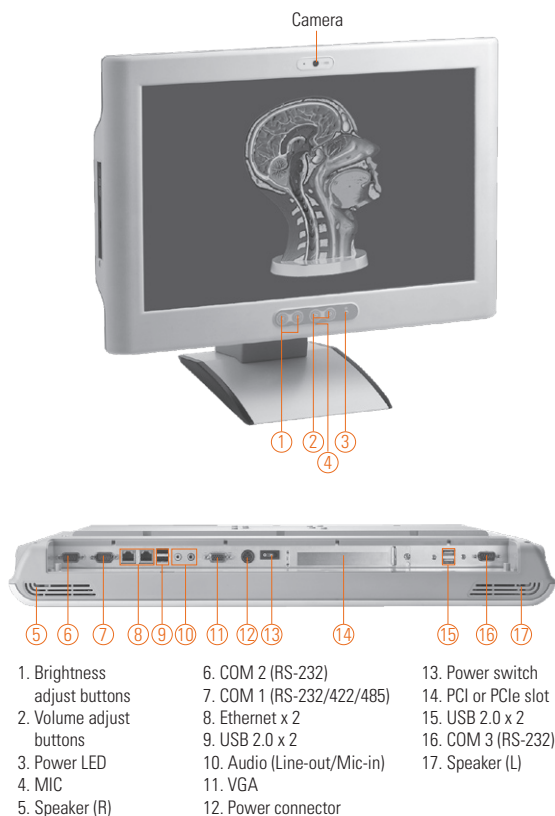


MPC225-851-FL

22" TFT Fanless Super Slim Medical Grade Panel Computer Supporting Intel® Core™2 Duo Processor up to 2.53 GHz



1. Brightness adjust buttons
2. Volume adjust buttons
3. Power LED
4. MIC
5. Speaker (R)
6. COM 2 (RS-232)
7. COM 1 (RS-232/422/485)
8. Ethernet x 2
9. USB 2.0 x 2
10. Audio (Line-out/Mic-in)
11. VGA
12. Power connector
13. Power switch
14. PCI or PCIe slot
15. USB 2.0 x 2
16. COM 3 (RS-232)
17. Speaker (L)



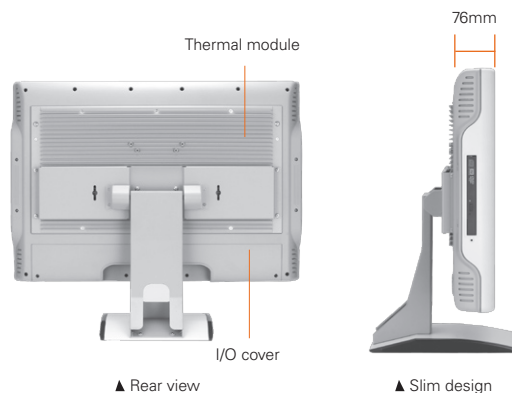
Introduction

The MPC225-851-FL is a 22-inch slim TFT fanless medical grade panel computer, which is well-suited for applications like medical image processing and medical measuring instrument. Especially designed for the medical environment, it adopts IPX1 waterproof design which protects the entire system from outside liquid, preventing system from crashing. Powered by socket P Intel® Core™2 Duo processor and PCI expansion slot, the MPC225-851-FL is definitely the best choice for your medical panel computer.

This platform complies with UL60601-1/EN60601-1, CE, FCC Class B certifications to ensure medical operation safety. It is outfitted with 22-inch wide view angle WSXGA TFT LCD display. Additionally, the MPC225-851-FL offers flexible CPU selection with socket type which reduces cost, increases convenience over onboard CPU, and still maintains a fanless operation and long product life cycle. For expansion capability, the unit supports one PCI or PCIe x4 slot for video capture card, data acquisition card and more. The built-in 1.3 mega pixels camera, microphone and stereo speakers allows medical professionals to execute remote operation. Bluetooth is an available option for wireless connection with medical peripheral devices. Optional WiFi (802.11 b/g) allows wireless real-time connection of patient record for assessment. To improve patient treatment accuracy, the optional RFID (radio frequency identification) offers an efficient way to validate patient identification and give proper treatment.

Features

- 22" high brightness (300 nits) WSXGA TFT LCD
- Fanless socket P Intel® Core™2 Duo or Intel® Celeron® M processor
- UL60601-1/EN60601-1, CE & FCC class B certified
- Water/dust-proof design (front bezel: IP65, full enclosure: IPX1)
- Built-in Super Multi drive
- 1 PCI or PCIe x4 expansion slot (for MPC225-851-FL-AC-PCI or MPC225-851-FL-AC-PCIe)
- Optional Bluetooth/RFID reader/internal WiFi (802.11 b/g)
- Built-in 1.3 mega pixels camera



Specifications

Front Bezel	Plastic ABS	
LCD Panel	Display Type	22" WSXGA TFT
	Brightness (cd/m ²)	300 nits
	Resolution	1680 x 1050
	Viewing Angle (H/V)	178°/178°
Main System	CPU	Socket P Intel® Core™2 Duo or Intel® Celeron® M processor
	Chipset	Intel® GM45 + ICH9M
	System Memory	2 x DDR3 SO-DIMM memory max. up to 8 GB
	BIOS	AMI BIOS with SmartView and Customer CMOS Backup
	Storage	1 x 2.5" SATA HDD 1 x CompactFlash™
	Optional Drive	1 x compact Super Multi drive
	Watchdog Timer	255 levels, 0-255 sec.
	Onboard Graphics	Intel® GM45

Specifications

I/O Connector	2 x RS-232 (COM 2/3) 1 x RS-232/422/485 (COM 1) 4 x USB 2.0 1 x Audio (Mic-in/Line-out) 2 x 10/100/1000Mbps Ethernet 1 x VGA
Expansion Interface	1 x PCI or PCIe x4 slot (for MPC225-851-FL-AC-PCI or MPC225-851-FL-AC-PCIe)
Camera	1 x 1.3 mega pixels camera
Touchscreen	Resistive type Light transmission: 80% Touch life 35 million touches
Power Supply	External 24VDC with AC/DC medical grade power adapter
Dimensions	573.5 mm (22.57") (W) x 75.9 mm (2.98") (D) x 398.9 mm (15.7") (H)
Packing Dimensions	730 mm (28.74") (W) x 240 mm (9.45") (D) x 650 mm (25.59") (H)
Weight (net/gross)	10.58 kg (23.32 lb)/15.16 kg (33.42 lb)
Environment	Operating temperature: 0° ~ +40°C (32°F ~ 104°F) Storage Temperature: -20°C ~ +60°C (-4°F ~ +140°F) Relative humidity: 10% ~ 95%, non-condensing
Certification	CE, FCC class B, EN60601-1, UL60601-1

Ordering Information

MPC225-851-FL-AC-PCI	22" TFT fanless medical grade panel computer with resistive T/S, PCI expansion and Super Multi drive
MPC225-851-FL-AC-PCIe	22" TFT fanless medical grade panel computer with resistive T/S, PCIe x4 expansion and Super Multi drive

* Specification and certifications are based on options and may vary.

**Super Multi drive includes DVD-R, DVD-RW and DVD-RAM.

Optional Accessories

E202003330	VM-101 VESA ARM (clamp type)
E202003329	VM-105 VESA ARM (wall mount type)
E228170100	22" stand kit

Optional OS Installation

Windows® XP
Windows® 7
Linux kernel 2.6

Overview

Industrial Panel Computers & Monitors

Heavy-duty Fanless Touch Panel Computers

Digital Signage Solutions

Healthcare & Medical Solutions

Open Frame Panel Computers

Accessories

Dimensions

