

FEATURES AND SPECIFICATIONS

Features and Benefits

- Solderable clip provides optimum retention to PCB
- Fully polarized to mating receptacle
- Surface Mount Compatible

Reference Information

Product Specification: PS-43650
 Packaging: Tray
 UL File No.: E29179
 CSA File No.: LR19980A
 TUV License No.: R95107
 Mates With: 43645
 Designed In: Millimeters

Electrical

Voltage: 250V
 Current: 5.0A max.
 Contact Resistance: 10mΩ max.
 Dielectric Withstanding Voltage: 1500V AC
 Insulation Resistance: 1000 MΩ min.

Mechanical

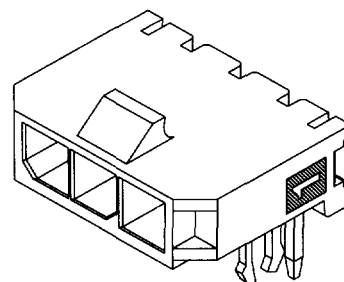
Insertion Force to PCB: 7.5kgf max. (16.5 lb)

Physical

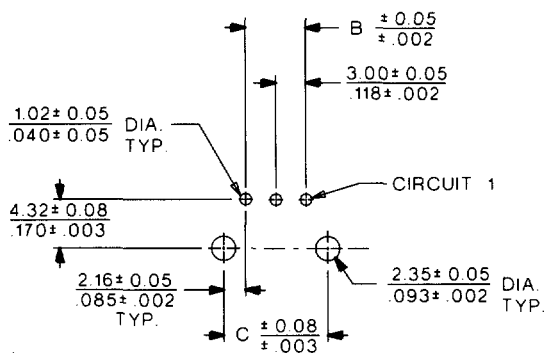
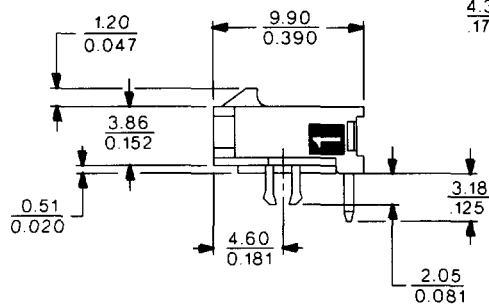
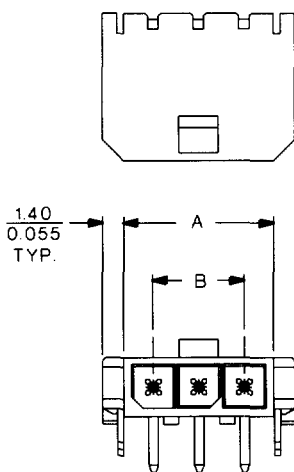
Housing: High temperature LCP, UL 94V-0
 Contact: Phosphor Bronze
 Plating: Tin or Gold

molex® 3.00mm (.118") Pitch Micro-Fit 3.0™ Wire-to-Board Header

43650 Single Row Right Angle With Solderable Retention Clip



PCB and Wire Connectors



PCB LAYOUT: COMPONENT SIDE
 RECOMMENDED PCB THICKNESS: $\frac{1.57}{0.62}$

ORDERING INFORMATION AND DIMENSIONS

Circuits	Order No.			Dimension			Overall Height When Mated With:	
	Tin	15μ" Gold	30μ" Gold	A	B	C	43645	6.98 (.275)
2	43650-0203	43650-0204	43650-0205	6.85 (.270)	3.00 (.118)	7.30 (.287)	43645	6.98 (.275)
3	43650-0303	43650-0304	43650-0305	9.85 (.388)	6.00 (.236)	10.30 (.405)	43645	6.98 (.275)
4	43650-0403	43650-0404	43650-0405	12.85 (.506)	9.00 (.354)	13.30 (.524)	43645	6.98 (.275)
5	43650-0503	43650-0504	43650-0505	15.85 (.624)	12.00 (.472)	16.30 (.642)	43645	6.98 (.275)
6	43650-0603	43650-0604	43650-0605	18.85 (.742)	15.00 (.591)	19.30 (.760)	43645	6.98 (.275)
7	43650-0703	43650-0704	43650-0705	21.85 (.860)	18.00 (.709)	22.30 (.878)	43645	6.98 (.275)
8	43650-0803	43650-0804	43650-0805	24.85 (.978)	21.00 (.827)	25.30 (.996)	43645	6.98 (.275)
9	43650-0903	43650-0904	43650-0905	27.85 (1.096)	24.00 (.945)	28.30 (1.114)	43645	6.98 (.275)
10	43650-1003	43650-1004	43650-1005	30.85 (1.215)	27.00 (1.063)	31.30 (1.232)	43645	6.98 (.275)
11	43650-1103	43650-1104	43650-1105	33.85 (1.333)	30.00 (1.181)	34.30 (1.350)	43645	6.98 (.275)
12	43650-1203	43650-1204	43650-1205	36.85 (1.451)	33.00 (1.299)	37.30 (1.469)	43645	6.98 (.275)