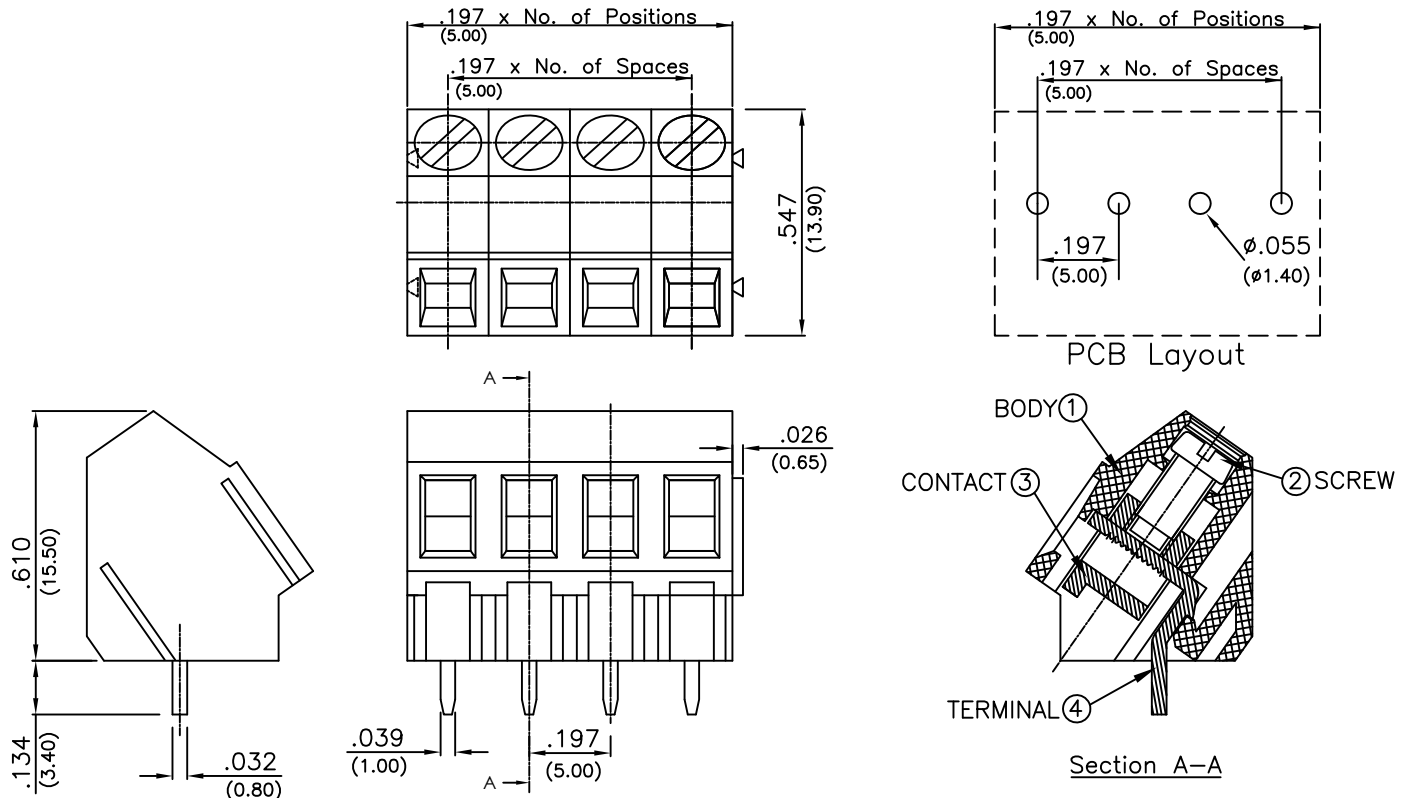


# Major League Electronics .197 cl Rising Clamp Terminal Blocks



## Ordering Information

TBR-00-197 - XX - XX - LF

Pitch  
197 = .197 (5.00) cl

No. of Positions  
02 - 24

Lead Free

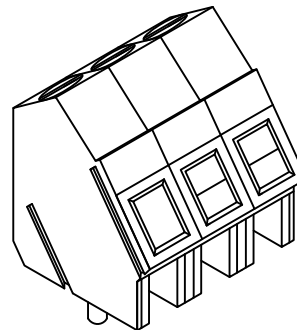
Color  
GR = Green (Standard)  
BK = Black  
BL = Blue  
WH = White  
GY = Grey  
OR = Orange  
YW = Yellow  
RD = Red  
BR = Brown

### Specifications

Current Rating: 10 Ampere  
Voltage Rating: AC 250V  
Wire Range: 12-26 AWG  
Dielectric Withstanding Voltage: AC 2500V/1 minute  
Insulation Resistance: DC 500V 500M $\Omega$   
Operating Temperature: -33°C to + 105°C  
Max Torque: 3.5 lb-in (4.03kgf. cm)  
Strip Length: .236-.315 (6-8mm)

### Materials

1. Body: PA66 (Nylon), UL94 V-0
2. Screw: M2.5, C1018 Steel, Blue Zinc Plated
3. Contact: Brass, Nickel Plated
4. Terminal: Brass, Tin Plated



Parts are subject to change without notice

TBR-00-197-XX-XX-LF

.197cl Rising Clamp Terminal Block  
35° Angle, Interlock

31 OCT 08

Scale  
NTS

UNLESS OTHERWISE SPECIFIED  
DIMENSIONS IN INCHES (MM)  
TOLERANCES IN INCHES:

ONE DECIMAL PLACE  $\pm 0.30$   
TWO DECIMAL PLACE  $\pm 0.20$   
THREE DECIMAL PLACE  $\pm 0.15$   
FOUR DECIMAL PLACE  $\pm 0.10$

*Major League*  
**ELECTRONICS**

4235 Earnings Way, New Albany, Indiana, 47150, USA  
1-800-782-3486 (USA/Canada/Mexico)  
Tel: 812-944-7244  
Fax: 812-944-7268  
E-mail: mle@mlelectronics.com  
Web: www.mlelectronics.com

Revision  
B

Sheet  
1/2

# Revisions

Revision B - (23rd Mar 2010)

PCB hole diameter amended from .051 (1.30) to .055 (1.40),  
Side view added

TBR-00-197-XX-XX-LF

.197cl Rising Clamp Terminal Block  
35° Angle, Interlock

31 OCT 08

Scale  
NTS

UNLESS OTHERWISE SPECIFIED  
DIMENSIONS IN INCHES (MM)  
TOLERANCES IN INCHES:

ONE DECIMAL PLACE ±0.30  
TWO DECIMAL PLACE ±0.20  
THREE DECIMAL PLACE ±0.15  
FOUR DECIMAL PLACE ±0.10



4235 Earnings Way, New Albany, Indiana, 47150, USA  
1-800-782-3486 (USA/Canada/Mexico)

Tel: 812-944-7244

Fax: 812-944-7268

E-mail: [mle@mlelectronics.com](mailto:mle@mlelectronics.com)

Web: [www.mlelectronics.com](http://www.mlelectronics.com)

Revision  
B

Sheet  
2/2