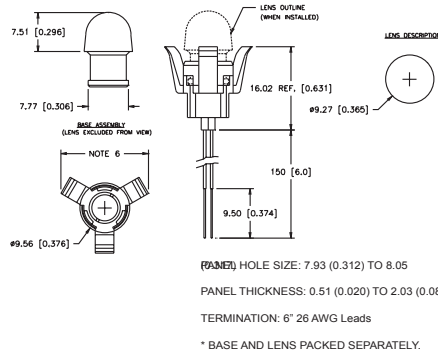


# LED Indicators ~ Panel ~ Dome Lens



## SSI-LXH691 Series

## T-5mm Tulip Indicator w/Clear, Dome Lens



### FEATURES / OPTIONS

- ▶ State-of-the-Art, High Brightness LED Chip Technology
- ▶ Choice of LED Colors and Lens Finishes
- ▶ Bi-Color Styles Optional
- ▶ Insulated Lead Lengths Optional
- ▶ Small Volumes Acceptable
- ▶ Easy Two-Step Installation, Rear and Front of Panel
- ▶ Clear Polycarbonate ESD Safe Lens
- ▶ Blinking LED
- ▶ With Internal Resistor for 5V and 12V Operation
- ▶ With Connector

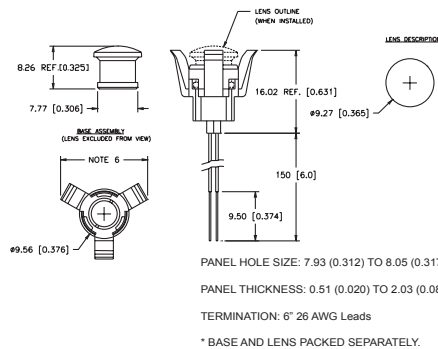
### APPLICATIONS / USES

- ▶ Front Panel Status Indicators
- ▶ Alarm/Warning Indicators
- ▶ Front Panel Circuit Fault Indicators
- ▶ Instrument Control Panels
- ▶ Medical Diagnostics Indicators
- ▶ Industrial Automation Control Panels

Lumex Part Number	Die Material	Emitted Color	Peak (nm)	Lens	Operating Current (mA)	Operating TYP. Vf (V)	Brightness TYP. Mcd	@ mA	View Angle° 2θ	Component LED Used
<b>HIGH BRIGHTNESS</b>										
SSI-LXH691SID-150C	AllnGaP	Super High Intensity Red	636	Red Diffused	5-25	2	700	20	60	SSL-LX509F3SID
SSI-LXH691SOD-150C	AllnGaP	Super Orange	610	Orange Diffused	5-25	2	800	20	60	SSL-LX509F3SOD
SSI-LXH691SUGD-150C	AllnGaP	Super Ultra Green	574	Green Diffused	5-25	2.2	170	20	60	SSL-LX509F3SUGD
SSI-LXH691SYD-150C	AllnGaP	Super Yellow	590	Yellow Diffused	5-25	2	400	20	60	SSL-LX509F3SYD
SSI-LXH691USB-150C	InGaN/SiC	Ultra Super Blue	470	Blue Diffused	5-25	3.5	300	20	60	SSL-LX509F3USB
<b>STANDARD BRIGHTNESS</b>										
SSI-LXH691GD-150C	GaP	Green	565	Green diffused	5-25	2.2	30	20	60	SSL-LX509F3GD
SSI-LXH691ID-150C	GaAsP	High Intensity Red	635	Red Diffused	5-25	2.0	30	20	60	SSL-LX509F3ID
SSI-LXH691SRD-150C	GaAlAs	Super Red	660	Red Diffused	5-25	1.7	250	20	60	SSL-LX509F3SRD
SSI-LXH691YD-150C	GaAsP	Yellow	585	Yellow Diffused	5-25	2.1	30	20	60	SSL-LX509F3YD

## SSI-LXH692 Series

## T-5mm Tulip Indicator w/Clear, Flat Lens



### FEATURES / OPTIONS

- ▶ State-of-the-Art, High Brightness LED Chip Technology
- ▶ Choice of LED Colors and Lens Finishes
- ▶ Bi-Color Styles Optional
- ▶ Insulated Lead Lengths Optional
- ▶ Small Volumes Acceptable
- ▶ Easy Two-Step Installation, Rear and Front of Panel
- ▶ Clear Polycarbonate ESD Safe Lens
- ▶ Blinking LED
- ▶ With Internal Resistor for 5V and 12V Operation
- ▶ With Connector

### APPLICATIONS / USES

- ▶ Front Panel Status Indicators
- ▶ Alarm/Warning Indicators
- ▶ Front Panel Circuit Fault Indicators
- ▶ Instrument Control Panels
- ▶ Medical Diagnostics Indicators
- ▶ Industrial Automation Control Panels

Lumex Part Number	Die Material	Emitted Color	Peak (nm)	Lens	Operating Current (mA)	Operating TYP. Vf (V)	Brightness TYP. Mcd	@ mA	View Angle° 2θ	Component LED Used
<b>HIGH BRIGHTNESS</b>										
SSI-LXH692SID-150C	AllnGaP	Super High Intensity Red	636	Red Diffused	5-25	2	700	20	60	SSL-LX509F3SID
SSI-LXH692SOD-150C	AllnGaP	Super Orange	610	Orange Diffused	5-25	2	800	20	60	SSL-LX509F3SOD
SSI-LXH692SUGD-150C	AllnGaP	Super Ultra Green	574	Green Diffused	5-25	2.2	170	20	60	SSL-LX509F3SUGD
SSI-LXH692SYD-150C	AllnGaP	Super Yellow	590	Yellow Diffused	5-25	2	400	20	60	SSL-LX509F3SYD
SSI-LXH692USB-150C	InGaN/SiC	Ultra Super Blue	470	Blue Diffused	5-25	3.5	300	20	60	SSL-LX509F3USB
<b>STANDARD BRIGHTNESS</b>										
SSI-LXH692GD-150C	GaP	Green	565	Green diffused	5-25	2.2	30	20	60	SSL-LX509F3GD
SSI-LXH692ID-150C	GaAsP	High Intensity Red	635	Red Diffused	5-25	2.0	30	20	60	SSL-LX509F3ID
SSI-LXH692SRD-150C	GaAlAs	Super Red	660	Red Diffused	5-25	1.7	250	20	60	SSL-LX509F3SRD
SSI-LXH692YD-150C	GaAsP	Yellow	585	Yellow Diffused	5-25	2.1	30	20	60	SSL-LX509F3YD



**USA/Canada** +1-800-278-5666  
**Europe** +49-6081-964380  
**Asia** +886-3-5821124



[www.lumex.com](http://www.lumex.com)



**USA/Canada** +1-847-359-8904  
**Europe** +49-6081-964381  
**Asia** +886-3-5821154