

EBPC-3500L-61SE

Ultra-compact Intel®
Atom™ N270 Embedded
System



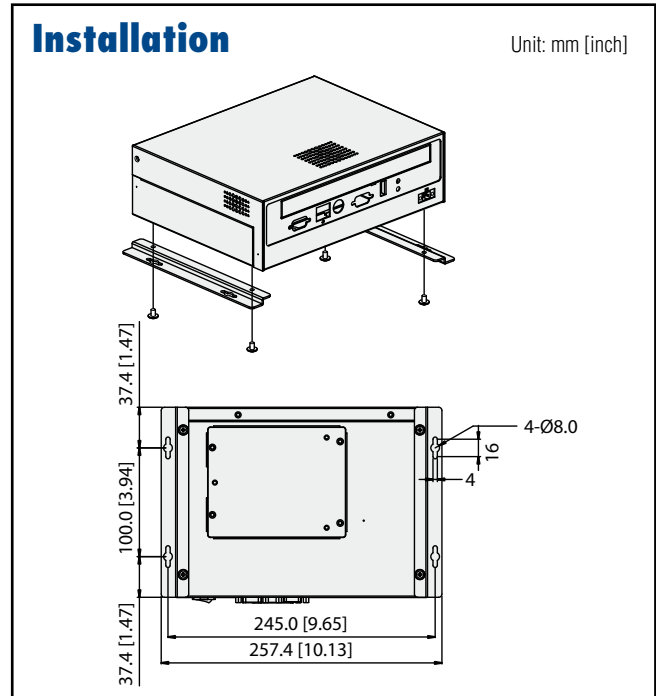
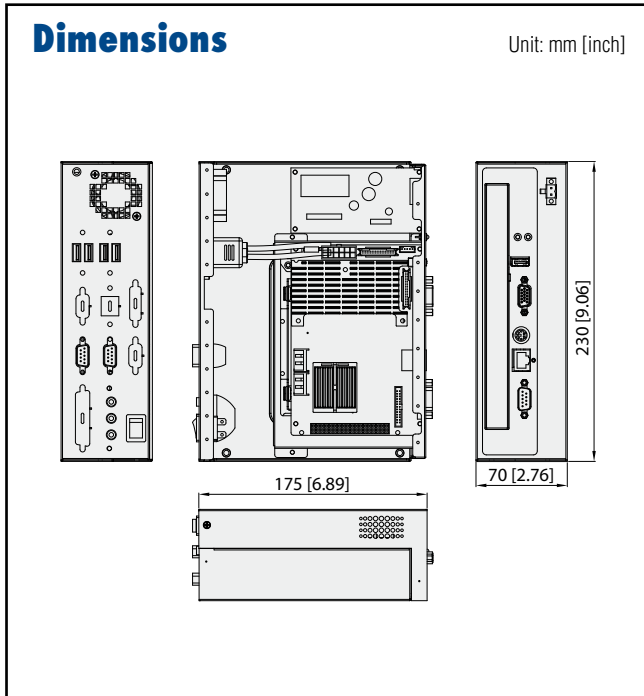
Features

- **Low power Intel® Atom™ Processor N270**
 - Supports DDR2 533/400 SDRAM up to 2 GB
 - Dual display support with CRT and LVDS interfaces
- **Compact, modularized and expandable**
 - Easy installation of HDD and DRAM
 - One PCI-104 expansion slot
 - Supports one 2.5" HDD bay with anti-vibration design

CE

Specifications

Model	EBPC-3500L-61SE	
Form Factor	Embedded / Desktop / Wallmount	
Processor System	Chipset	Intel 945GSE + ICH7M
	CPU	Intel Atom processor N270 1.60 GHz
	L2 Cache	512 KB
	Front Side Bus	533 MHz
	Memory	DDR2 400/533 MHz 200-pin SODIMM up to 2 GB
Graphics	Controller	Intel 945GSE GMCH integrated Graphic Media Accelerator 950
	VRAM	Dynamically shared system memory up to 224 MB
Expansion Slot	PCI-104	1
Storage	HDD (supported)	SATA 2.5"
Drive Bay	2.5"	1 x SATA
	CompactFlash (supported)	Card Type I/II
Ethernet	Interface	10/100/1000 Mbps Gigabit Ethernet
	Controller	Realtek 8110SC
Front I/O Interface	USB	1
	PS/2	1
	COM	1
	VGA	1
	RJ-45	1
Rear I/O Interface	USB	4
	COM	2
	LVDS	1 (36-bit) with optional cable kit
	Parallel	-
	RJ-45	-
	Audio	3 (HD, Mic-in, Line-in, Line-out)
	GPIO	8-bit general purpose input/output
Reserved Cutouts	1 x RJ-45, 1 x Parallel, 2 x COM	
Operating System	Microsoft Windows XP Embedded	
Watchdog Timer	Output	System reset
	Interval	Programmable 1 ~ 255 seconds
Power Supply	Power Output Wattage	46 W
	Power Input Connector	4-pole Phoenix DC power connector
	Input Voltage	12 V _{DC} @ 4.5 A; 16 V _{DC} @ 3.4 A; 19 V _{DC} @ 2.9 A; 24 V _{DC} @ 2.3 A
	Output Voltage	+5 V _{DC} @ 7 A; +12 V _{DC} @ 0.5 A; +5 V _{sb} @ 1 A
Cooling	Chassis Fan	1 (4 cm / 11.4 CFM)
	Air Filter	Yes
Miscellaneous	LED Indicators	Power status and HDD activity
Environment	Operating	
	Temperature	0 ~ 40° C (32 ~ 104° F)
	Humidity	10 ~ 85% @ 40° C non-condensing
Physical Characteristics	Dimensions (W x H x D)	230 x 70 x 175 mm (9.1" x 2.8" x 6.9")
	Weight	1.6 kg (3.52 lb)



Ordering Information

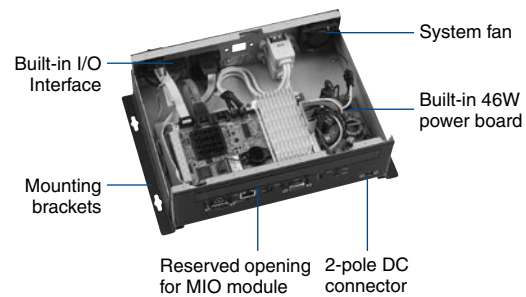
Part Number	CPU	USB	PS/2	COM	LVDS	VGA	LAN	Audio	GPIO
EBPC-3500L-61SE	Intel Atom N270 1.60 GHz	5	1	2	1	1	1	HD	8-bit

Optional Accessories

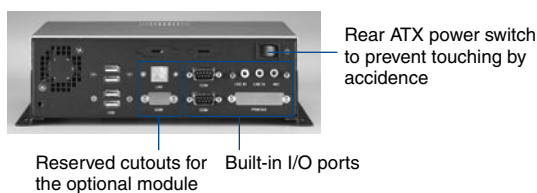
External AC-to-DC Adapter and Power Cord

Part Number	Description
1757000222	AC-to-DC Adapter DC19 V/3.42 A 65 W, with Phoenix Power Plug, 0 ~ 45° C for Home and Office Use
1700001947	Power cord 2-pin 180 cm, USA type
1700001948	Power cord 2-pin 180 cm, Europe Type
1700001949	Power cord 2-pin 180 cm, UK Type

Inside View



Rear View



Bottom View

