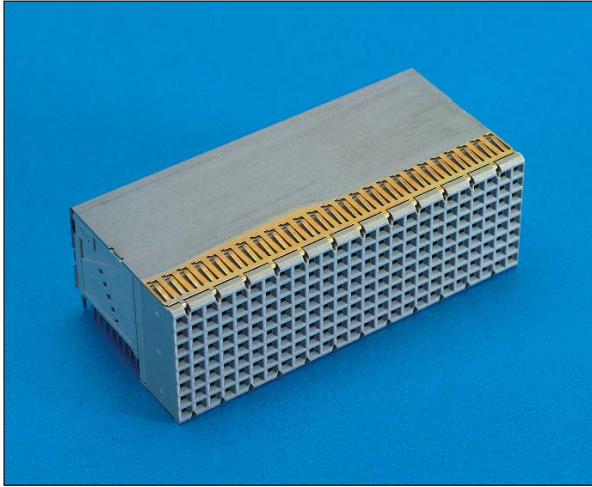


Type E Right Angle Female for Daughter Cards

Series 8077

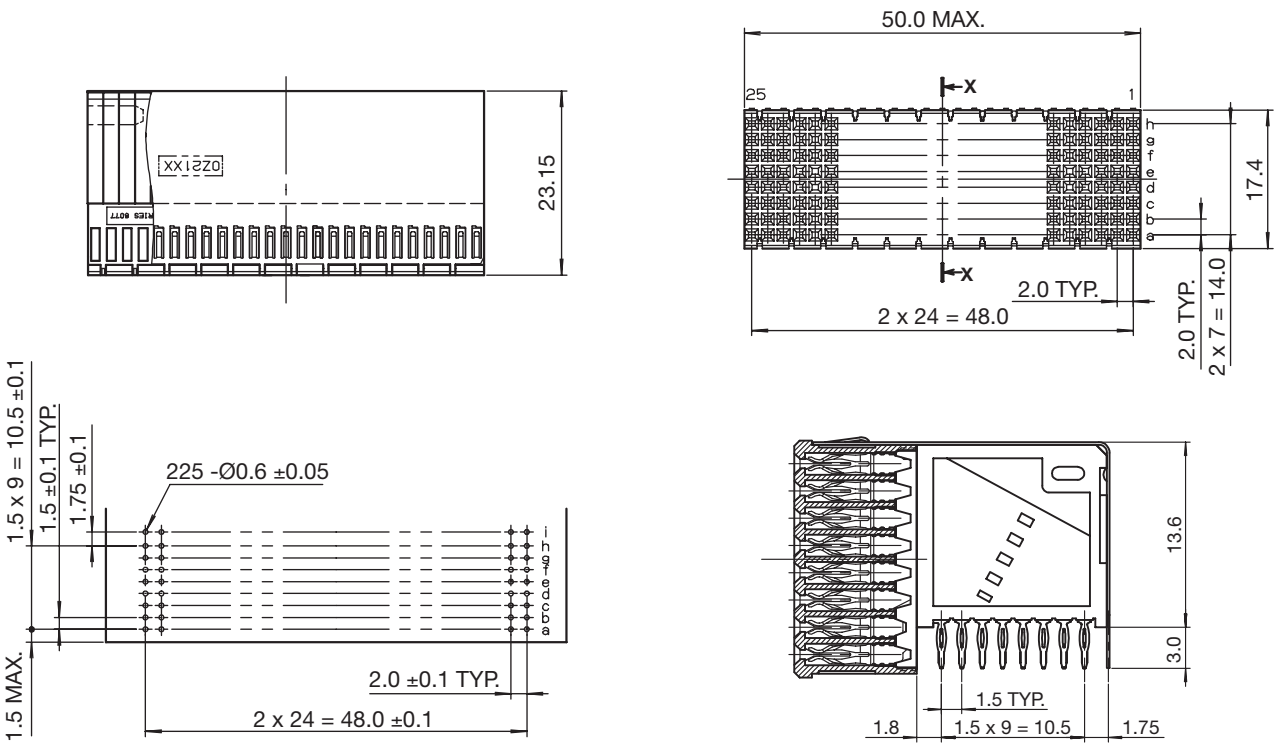


- 200 contacts in a 8 x 25 position configuration
- Designed for gas tight press-fit installation
- Available with or without upper ground return shield
- This connector should be used in conjunction with a Type D style to ensure proper mating alignment



27 8077 200 000 863+ = Type E Right Angle Female without top shield
27 8077 200 010 863+ = Type E Right Angle Female with top shield

Plating Code	Contact Area	Press-fit Area	Under Coat
863	0.76µm min. Au	1.5-3.0µm Sn	1.2-3.0µm Ni



RECOMMENDED P.C. BOARD LAYOUT
(COMPONENT SIDE)