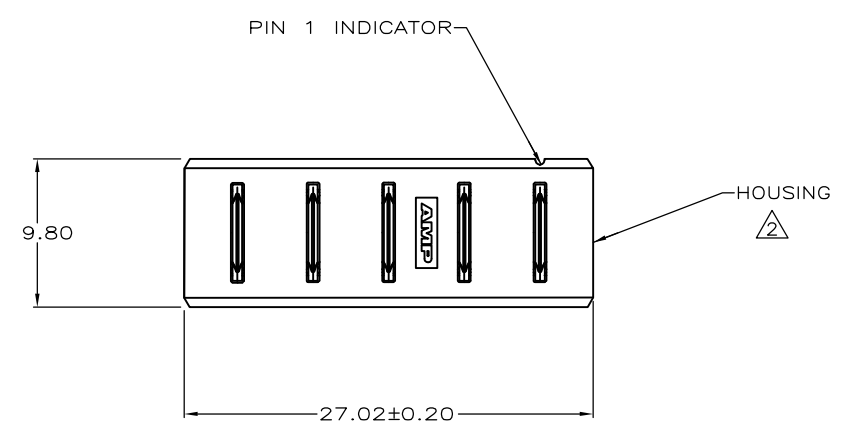
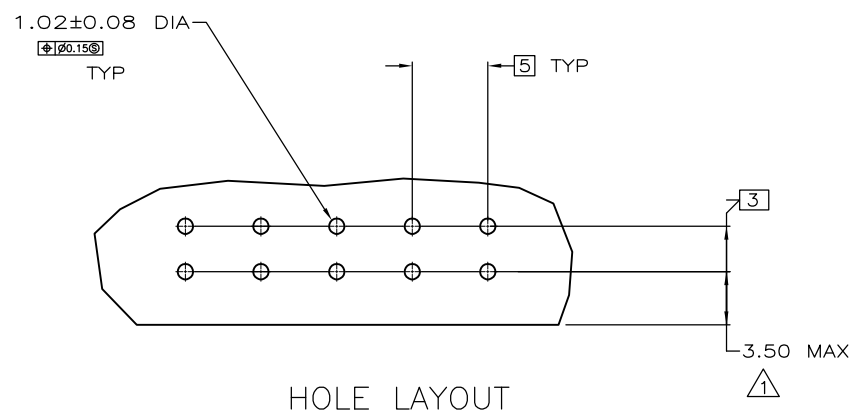
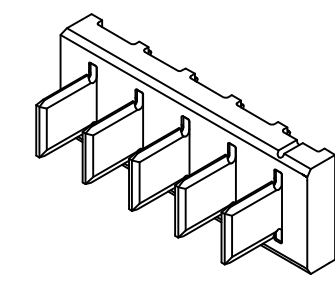
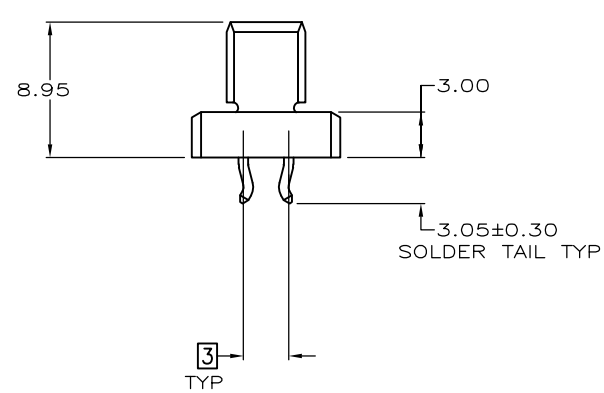
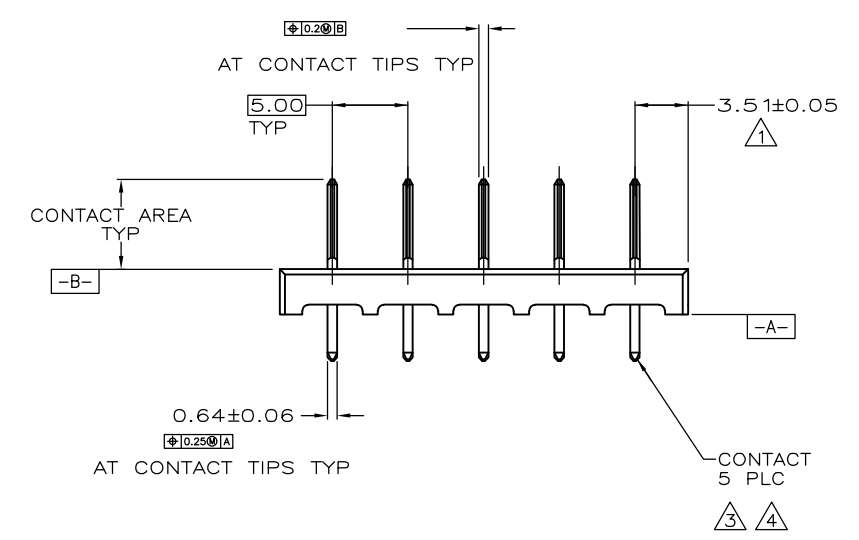


THIS DRAWING IS UNPUBLISHED. RELEASED FOR PUBLICATION
 © COPYRIGHT - By - ALL RIGHTS RESERVED.

LOC	DIST	REVISIONS					
ES	00	P	LTR	DESCRIPTION	DATE	DWN	APVD
			A1	REVISED PER ECO-11-005033	28MAR11	RK	HMR



- ① COORDINATE DIMENSION APPLIES FROM CENTER OF ACTUAL FEATURE.
- ② HOUSING: POLYPHTHALAMIDE, COLOR BLACK.
- ③ 2.54um MIN TIN ON SOLDER TAIL OVER 1.90um MIN NICKEL ALL OVER.
- ④ CONTACTS: BRASS



5787446-1
PART NO

THIS DRAWING IS A CONTROLLED DOCUMENT.		DWN	S.KLINE	03-29-95	TE Connectivity NAME HEADER ASSEMBLY, VERTICAL, KEYLESS, 5mm ϕ , 5 POSN, RETENTIVE SOLDER TAILS, BATTERY INTERCONNECT					
DIMENSIONS: mm		CHK	S.KLINE	03-30-95						
TOLERANCES UNLESS OTHERWISE SPECIFIED:		APVD	S.KLINE	03-30-95						
0 PLC ± - 1 PLC ± - 2 PLC ± 0.13 3 PLC ± - 4 PLC ± - ANGLES ± -		PRODUCT SPEC	108-1501							
MATERIAL		APPLICATION SPEC	114-24005		SIZE	CAGE CODE	DRAWING NO	RESTRICTED TO		
② ④ ③		FINISH	③		WEIGHT	A3 00779 C-5787446		-		
CUSTOMER DRAWING					SCALE	2:1	SHEET	1 OF 1	REV	A1