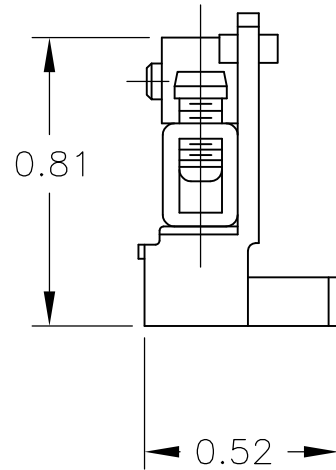
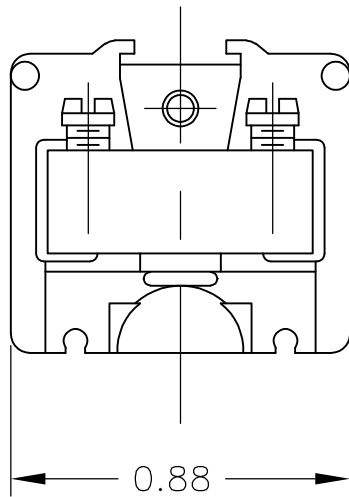
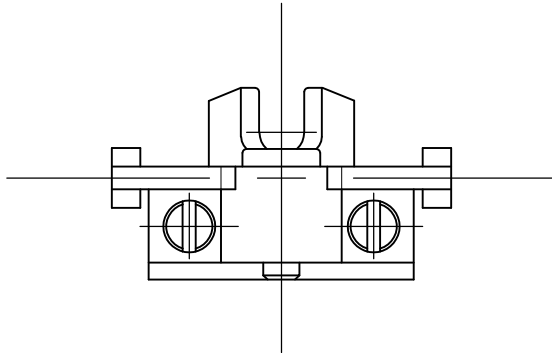


LOC	DIST	REVISIONS					
—	—	P	LTR	DESCRIPTION	DATE	DWN	APVD
			A1	REVISED PER ECO-11-004917	11MAR11	RK	HMR

1 MATERIAL: NYLON






RELEASED FOR PUBLICATION

ALL RIGHTS RESERVED.

THIS DRAWING IS UNPUBLISHED.

© COPYRIGHT - By -

DIMENSIONS: INCHES	DWN	29SEP08	MATERIAL	1	FINISH	-
	CHK	29SEP08	 TE Connectivity			
TOLERANCES UNLESS OTHERWISE SPECIFIED:	MACE SAM	29SEP08				
0 PLC ± -	APVD	29SEP08	NAME CONTACT SECTION AND TUBULAR CONTACT ASS'Y. MIN TERM BLOCK			
1 PLC ± -	MACE SAM	29SEP08				
2 PLC ± -	PRODUCT SPEC	-	SIZE	CAGE CODE	DRAWING NO	RESTRICTED TO
3 PLC ± -	APPLICATION SPEC	-	A4	00779	C-2-1437392-3	-
4 PLC ± -	WEIGHT	-	CUSTOMER DRAWING			
ANGLES ± 0° 15'			SCALE	2:1	SHEET	1 OF 1
 				REV	A1	