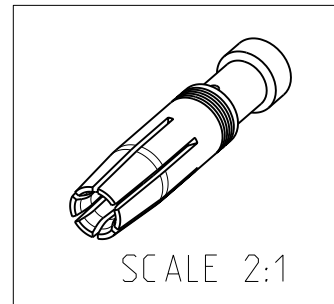
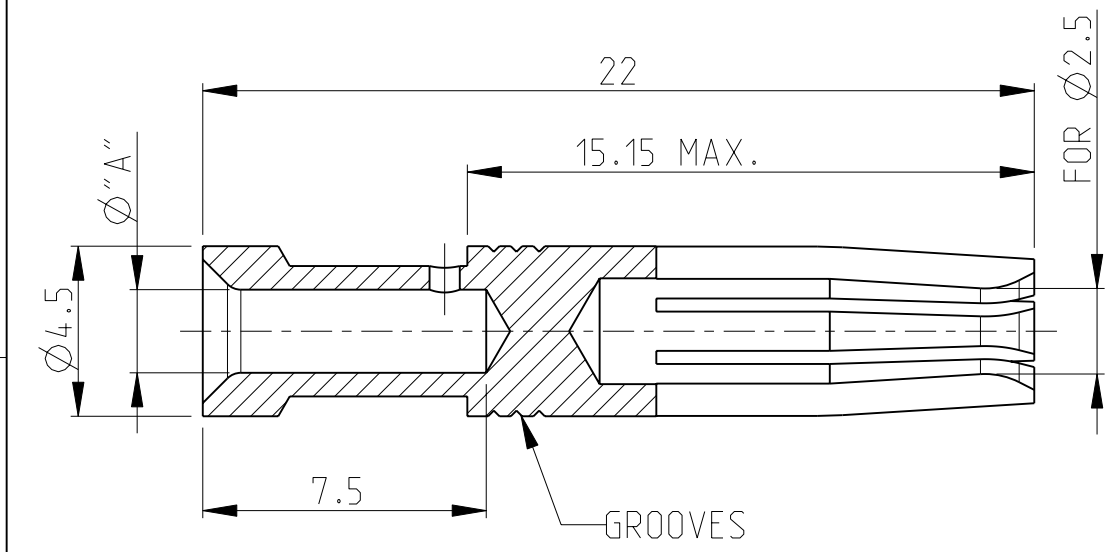


THIS DRAWING IS UNPUBLISHED. RELEASED FOR PUBLICATION 2006
 © COPYRIGHT 2006 BY - ALL RIGHTS RESERVED.

LOC	DIST	REVISIONS				
P	LTR	DESCRIPTION	DATE	DWN	APVD	
A1	-	J4	REVISIED PER ECO-11-005030	24MAR2011	RK	HMR



Notes

- 1 MATERIAL: BRASS
- 2 FINISH SILVER PLATING: 2 µm Ag MIN. OVER Cu
- 3 FINISH GOLD PLATING: 0.75 µm Au MIN. OVER Ni
- 4 FINISH TIN PLATING: 0.6 µm Sn. MIN. OVER Cu
- 5 NO VENTILATION HOLE REQUIRED AT CROSS-SECTION >4.0 MM²
- 6 WEIGHT: 0.00160 kg, PER PIECE (APPROX.)
- 7 PACKAGING: 50 PIECES IN POLYBAG
- 8 PACKAGING: 500 PIECES IN POLYBAG & CARTON
- 9 PACKAGING: 20000 PIECES IN POLYBAGS & CARTONS
- 10 SUITABLE PIN CONTACT: PN 1105100
- 11 SUITABLE INSERTS: SERIES HA, HE, HVE, HVS
- 12 SUITABLE CRIMP TOOL: PN 1-1105851-8
- 13 SUITABLE INSERTION TOOL: PN 0-1102855-6
- 14 SUITABLE EXTRACTION TOOL: PN 0-1102855-7
- 15 STANDARDS: DIN EN 61984, DIN EN 60664-1

		7	8	9				
HE/HA-C-Bu.Sn	4,0mm ²	TIN 4	4.0	2.8	-	-	5-0	5-3
HE/HA-C-Bu.Sn	2,5mm ²		2.5	2.2	3	-	4-0	4-3
HE/HA-C-Bu.Sn	1,5mm ²		1.5	1.7	2	-	3-0	3-3
HE/HA-C-Bu.Au	4,0mm ²	GOLD 3	4.0	2.8	-	5-2	5-9	-
HE/HA-C-Bu.Au	2,5mm ²		2.5	2.2	3	4-2	4-9	-
HE/HA-C-Bu.Au	1,5mm ²		1.5	1.7	2	3-2	3-9	-
HE/HA-C-Bu.Au	0,75-1,0mm ²	SILVER 2	0.75-1.0	1.4	1	2-2	2-9	-
HE/HA-C-Bu.Au	0,5mm ²		0.5	1.1	-	1-2	1-9	-
HE/HA-C-Bu.Au	0,14-0,37mm ²		0.14-0.37	0.9	3	6-2	6-9	-
HE/HA-C-Bu.Ag	4,0mm ²	SILVER 2	4.0	2.8	-	5-1	5-8	-
HE/HA-C-Bu.Ag	2,5mm ²		2.5	2.2	3	4-1	4-8	-
HE/HA-C-Bu.Ag	1,5mm ²		1.5	1.7	2	3-1	3-8	-
HE/HA-C-Bu.Ag	0,75-1,0mm ²	SILVER 2	0.75-1.0	1.4	1	2-1	2-8	-
HE/HA-C-Bu.Ag	0,5mm ²		0.5	1.1	-	1-1	1-8	-
HE/HA-C-Bu.Ag	0,14-0,37mm ²		0.14-0.37	0.9	3	6-1	6-8	-
			[MM ²]	"A"	NO.OF GROOVES	P.U.=50	P.U.=500	P.U.=20000
ORDERING TEXT	PLATING	CROSS SECTION	DIMS	MARKINGS	PACKAGING UNIT			
PARTS LIST								

THIS DRAWING IS A CONTROLLED DOCUMENT.		DWN G.W.ROBLEWSKI 20SEP2007	STE TE Connectivity	
		CHK H.BRAUN 20SEP2007		
		APVD T.SCHNURPFIL 20SEP2007	NAME	
		PRODUCT SPEC 108-74004	SOCKET CONTACT SERIES HA, HE, HVE	
		APPLICATION SPEC 114-74003	SIZE A3	CAGE CODE 00779
		WEIGHT -	DRAWING NO C=1105101	RESTRICTED TO -
CUSTOMER DRAWING		SCALE 5:1	SHEET 1 OF 1	REV J4

DIMENSIONS:	TOLERANCES UNLESS OTHERWISE SPECIFIED:
mm	ISO 8075
	DIN ISO 2768 mH-E
	DIN 16901-120
	0 PLC ±
	1 PLC ±
	2 PLC ±
	3 PLC ±
	4 PLC ±
	ANGLES ±
MATERIAL 1	FINISH 2 3 4