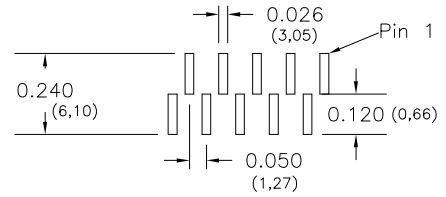
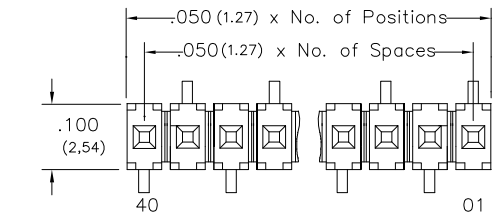
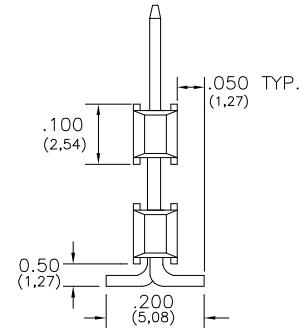
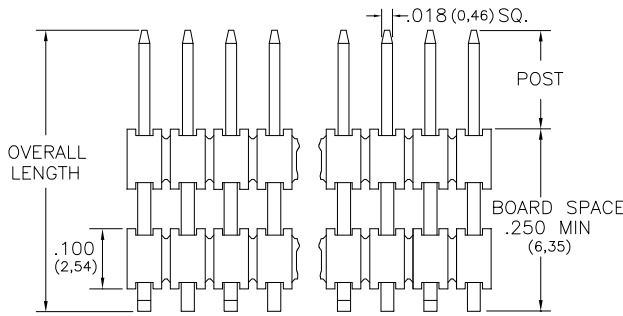


# Major League Electronics .050x.100 cl Board Stacker Terminal Strip Headers - Surface Mount - Vertical



Recommended P.C. Board Layout



Tails may be clipped to achieve desired pin length

## Ordering Information

**BSTCM-6** [X] - **S** - [X] - [X] - [X] - [X] - [X] - **M** - [X] - [X] - **LF**

Pins Per Row  
01 - 40

Row Specification  
S = Single Row

Desired Post Height  
Please specify  
e.g. .200 (5.08) = 200

Packing Information  
TR-P = Tape and Reel with Plastic Pick and Place pad  
TB-P = Tube with Plastic Pick and Place pad  
TB-0 = Tube without Pick and Place Pad  
If left blank, packaging at MLE's discretion  
Pad may be metal, mylar or plastic

Footprint  
M = pin 1 right

Polarized Position  
Leave blank if not needed  
If required, specify empty pin position, e.g. 012 for Pin 12

Desired Board Space  
Please specify  
e.g. .200 (5.08) = 200

Pin Options		
Overall Length		
.330	8.38mm	04
.385	9.78mm	06
.435	11.05mm	08
.490	12.45mm	10
.505	12.83mm	12
.530	13.46mm	14
.585	14.86mm	16
.615	15.62mm	18
.685	17.40mm	20
.725	18.42mm	22
.785	19.94mm	24
.840	21.34mm	28

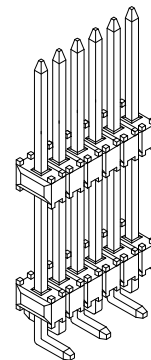
Plating Options	
G	10µ Gold on Contact Area / Flash on Tail
T	Matte Tin All Over
GT	10µ Gold on Contact Area / Matte Tin on Tail
H	30µ Gold on Contact Area / Matte Tin on Tail
F	Gold Flash over Entire Pin

## Specifications

- Current Rating: 1.0 Ampere
- Insulation Resistance: 1000MΩ Min.
- Dielectric Withstanding: 300V AC
- Contact Resistance: 20 mΩ Max.
- Operating Temperature: -40°C to + 105°C
- Max. Process Temperature:
  - Peak: 260°C up to 10 secs.
  - Process: 230°C up to 60 secs.
  - Wave: 260°C up to 6 secs.
  - Reflow: 260°C up to 10 secs.
  - Manual Solder: 350°C up to 5 secs.

## Materials

- Contact Material: Phosphor Bronze
- Insulator Material: Nylon 6T
- Plating: Au or Sn over 50µ" (1.27) Ni



Mates with:  
LSSHs,  
SMSS,  
SSHS

Products cut to specific sizes are uncancellable/nonreturnable

Parts are subject to change without notice

**BSTCM-6-SV-M SERIES**

.050 cl Single Row - Surface Mount - Vertical  
Board Stacker Terminal Strip Headers

05 FEB 07

Scale  
NTS

UNLESS OTHERWISE SPECIFIED  
DIMENSIONS IN INCHES (MM)  
TOLERANCES ARE:

ONE PLACE DECIMALS ±.100  
TWO PLACE DECIMALS ±.010  
THREE PLACE DECIMALS ±.005  
FOUR PLACE DECIMALS ±.0020  
ANGLES  
±5°



4235 Earnings Way, New Albany, Indiana, 47150, USA  
1-800-782-3486 (USA/Canada/Mexico)  
Tel: 812-944-7244  
Fax: 812-944-7268  
E-mail: mle@mlelectronics.com  
Web: www.mlelectronics.com

Edition  
1

Sheet  
1/1