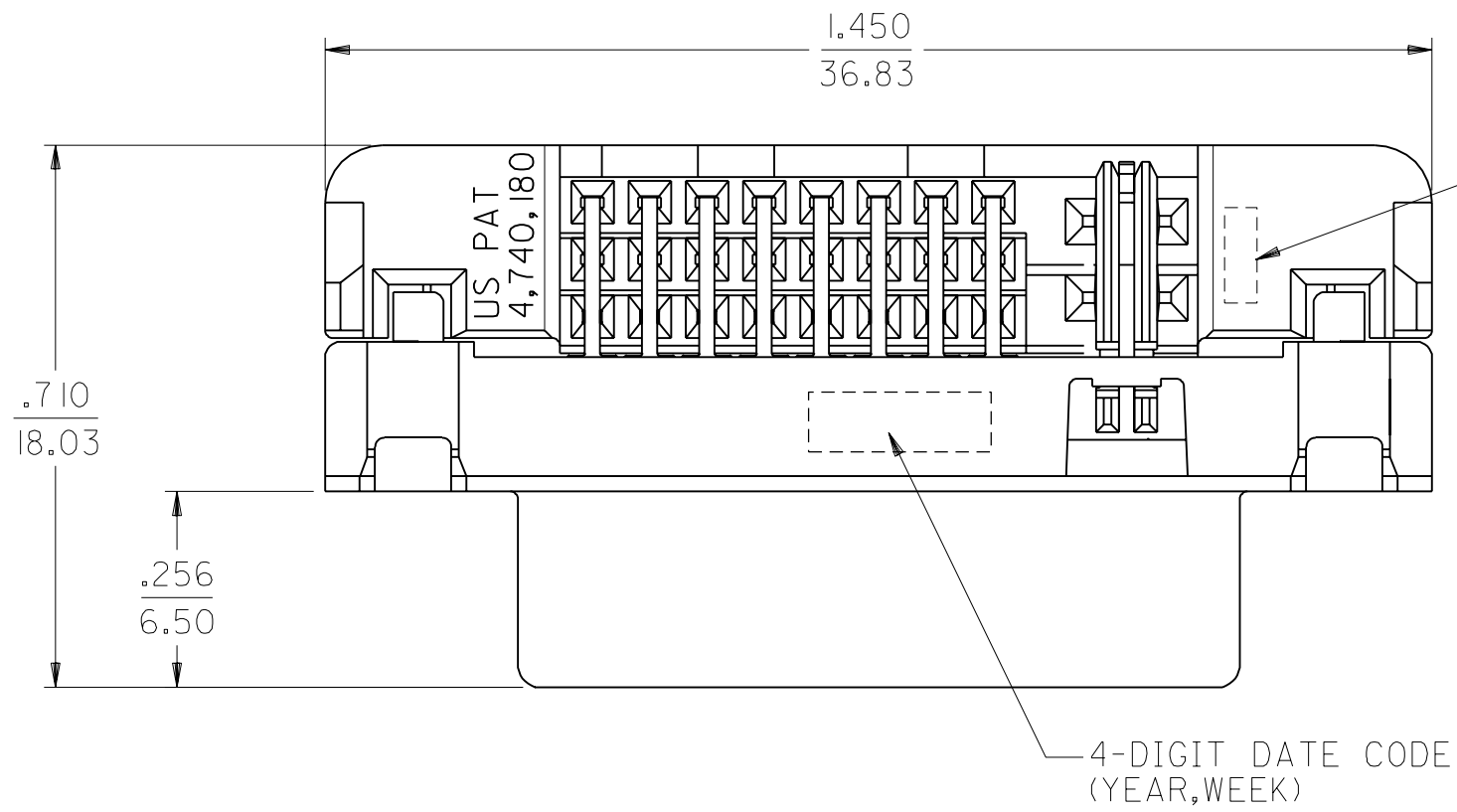
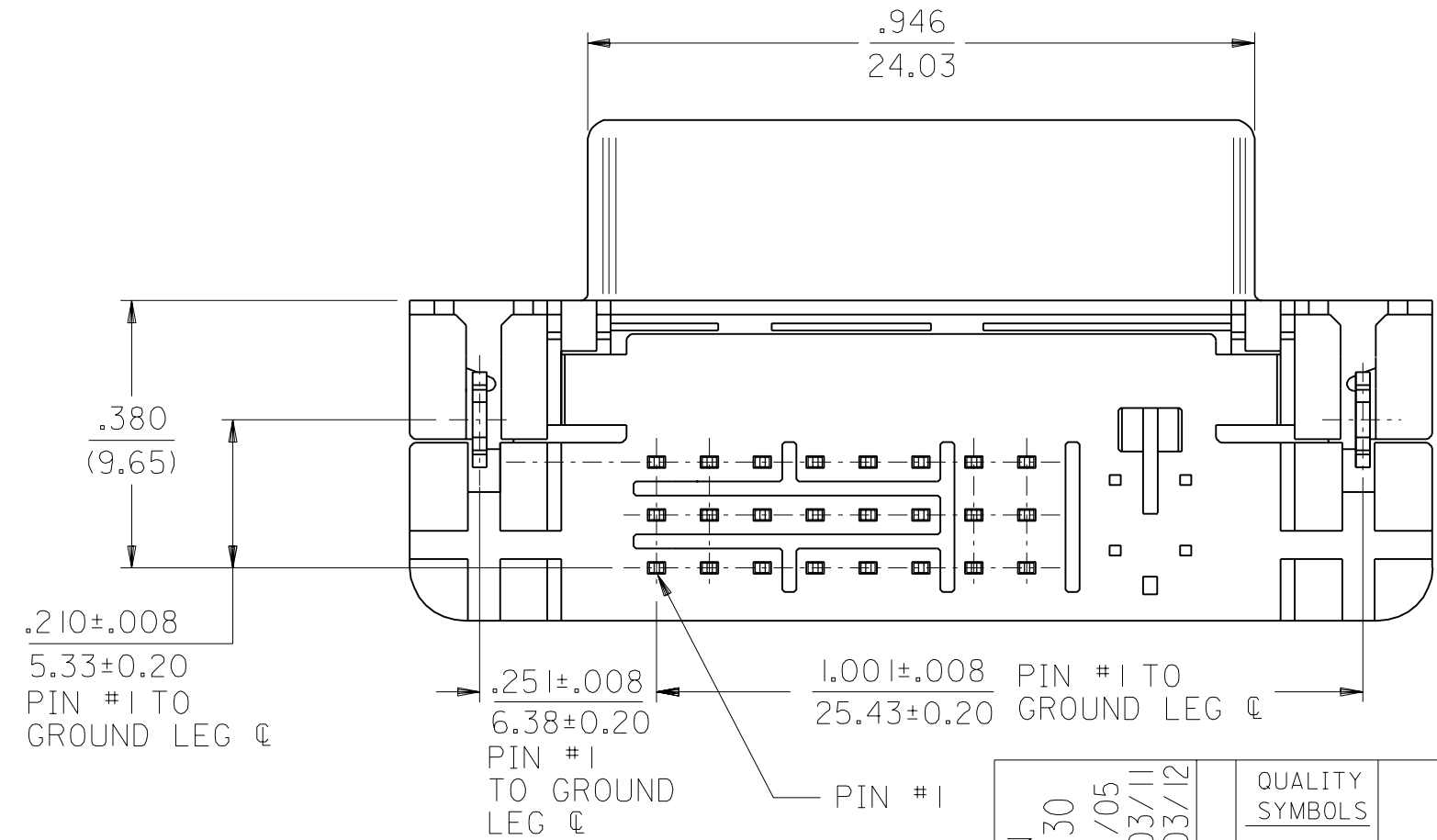
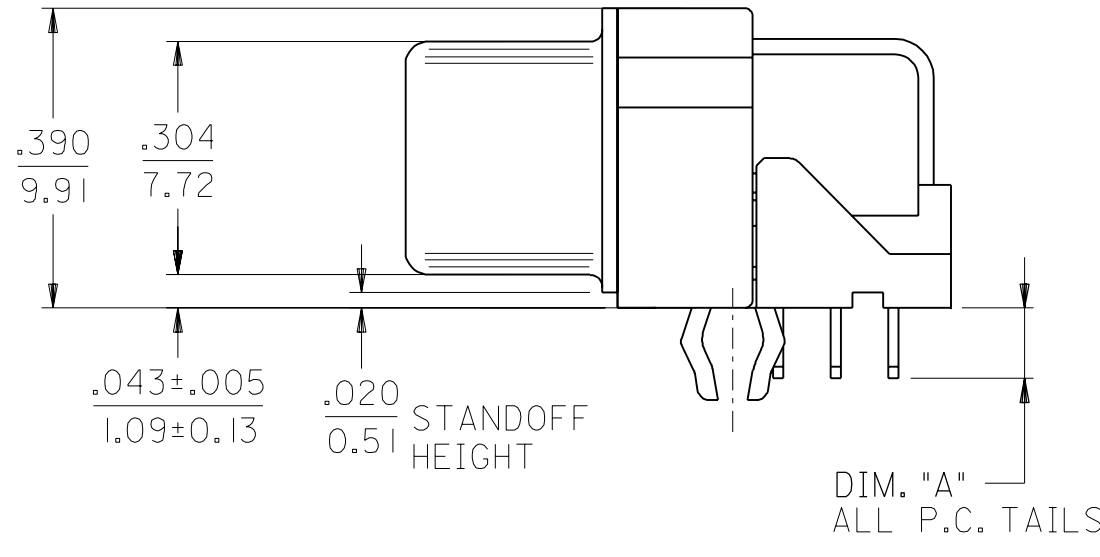
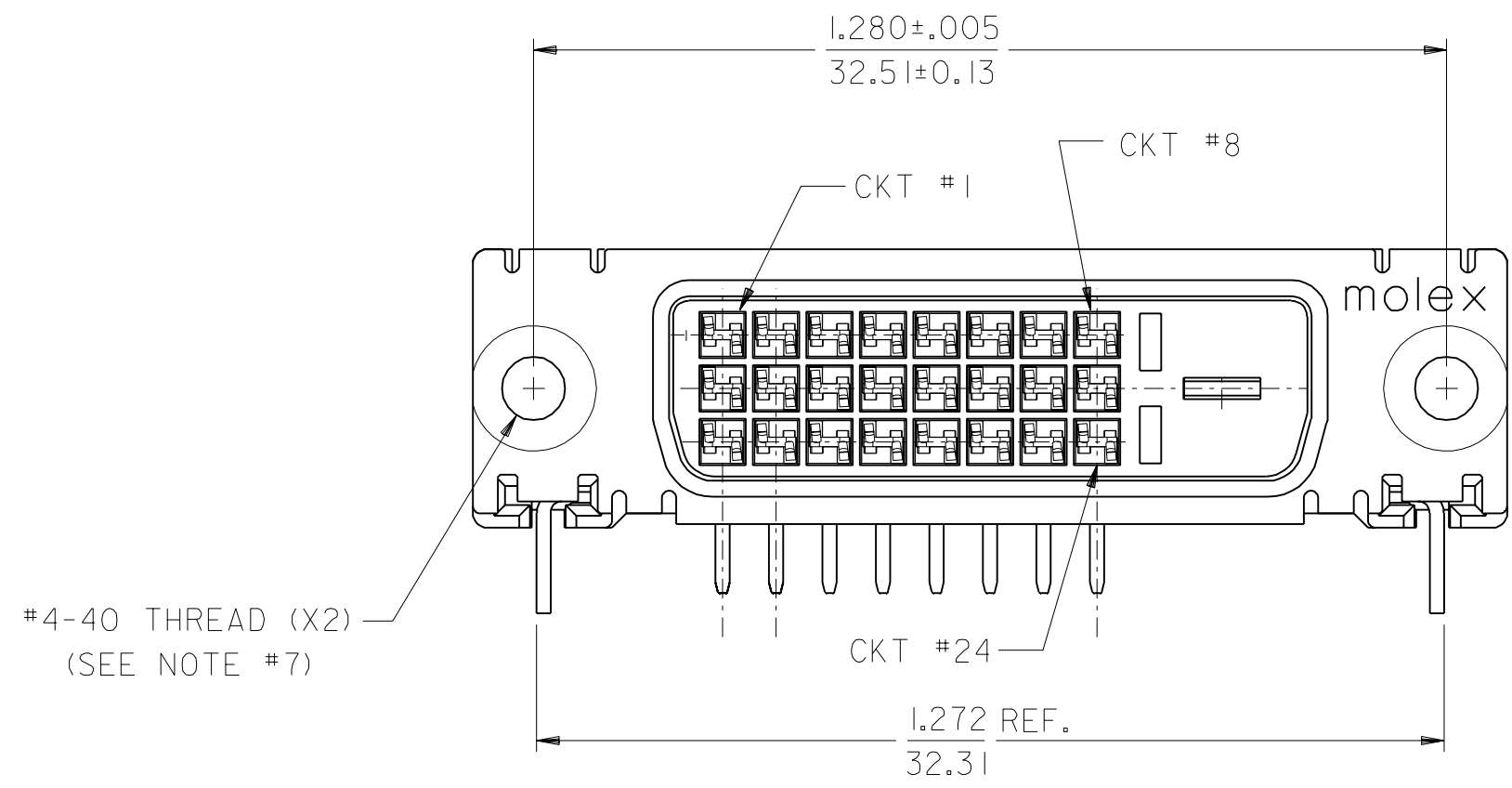
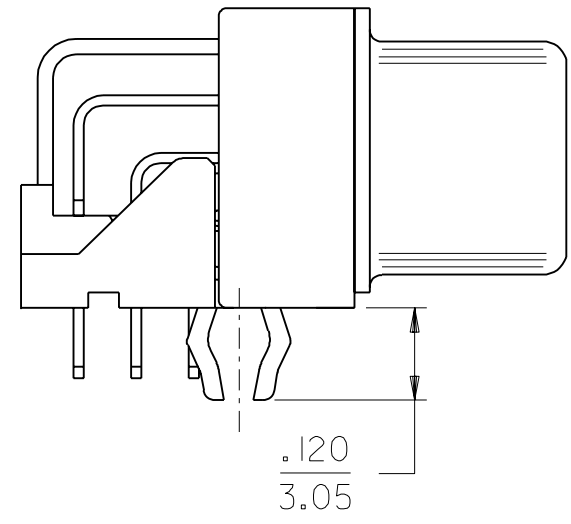


PART NUMBER	DIM. "A"	PLATING OPTION
74320-9000	.092/2.34	1
74320-9004	.092/2.34	2
74320-9006	.110/2.79	2



- NOTES:
- MATERIALS:  
 SHIELD -- DEEP DRAW STEEL.  
 HOUSING -- GLASS FILLED POLYMER, NATURAL (WHITE), UL 94v-0.  
 TAIL ALIGNER -- GLASS FILLED POLYMER, NATURAL (WHITE), UL 94v-0.  
 CONTACTS -- COPPER ALLOY.  
 MICROCROSS GROUND -- COPPER ALLOY.
  - PLATING: SEE SHEET 2
  - PRODUCT CONFORMS TO MOLEX PRODUCT SPECIFICATION NUMBER PS-74320-001.
  - SEE SHEET 2 FOR RECOMMENDED PANEL CUT-OUT AND P.C.B. LAYOUT.
  - PARTS WILL BE PACKAGED IN TRAYS PER PK-74320-010.
  - PRODUCT CONFORMS TO DDWG DVI SPECIFICATION. REFER TO THIS SPECIFICATION FOR CONNECTOR MATING DIMENSIONS.
  - RECOMMENDED MOUNTING HARDWARE IS MOLEX P/N 71781-0001 OR 82007-0300 OR 88780-6066. REFER TO PRODUCT SPECIFICATION NUMBER PS-74320-001 FOR THE APPLICATION TORQUE REQUIREMENT FOR ASSEMBLING MOUNTING HARDWARE.
- ⚠ CAVITY NO. AND MANUFACTURING PLANT CODE.

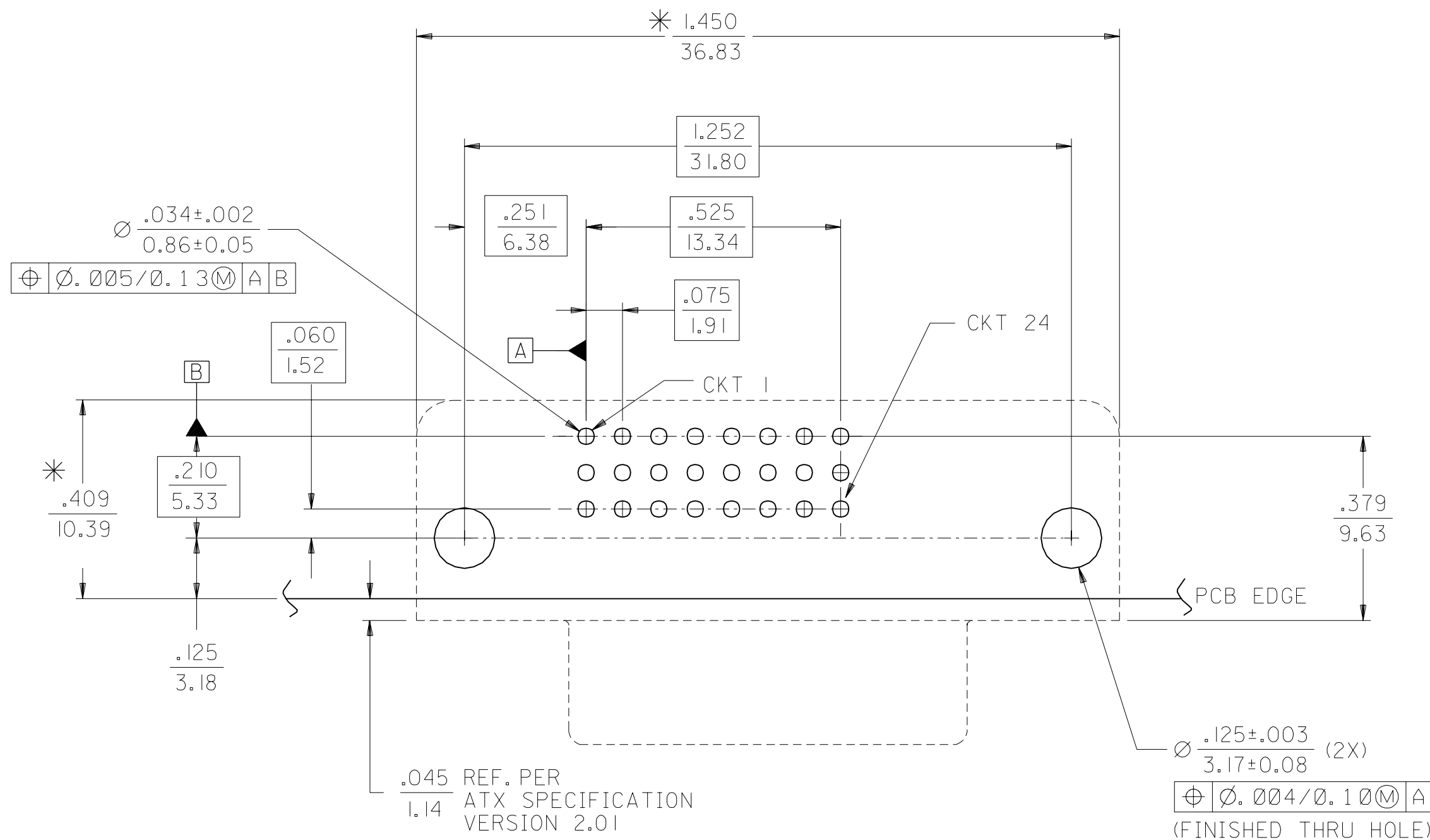


MODIFICATION	DESCRIPTION	QUALITY SYMBOLS
EC No. SH2004-0130		MAJOR = 0
DRWN: DXUE 04/03/05		CRITICAL = 0
CHK: HARVEY 04/03/11		
APPR: SHUANG 04/03/12		

GENERAL TOLERANCES: (UNLESS SPECIFIED)	
mm	INCH
4 PLACES ±0.	±.
3 PLACES ±0.	±. 010
2 PLACES ±0.25	±. 010
1 PLACE ±0.25	±. 010

SCALE	DESIGN UNITS	THIRD ANGLE PROJECTION
4 : 1	<input type="checkbox"/> mm <input checked="" type="checkbox"/> INCH	<input checked="" type="checkbox"/> THIRD ANGLE PROJECTION
DRAWN BY & DATE		TITLE:
TMCCLELL 99/05/12		DVI - D/ATX
CHECKED BY & DATE		RIGHT ANGLE RECEPTACLE
MOSULLIV 99/05/12		CONNECTOR W/FORKLOCK
APPROVED BY & DATE		MOLEX MOLEX INCORPORATED
NELLIGAN 99/05/12		
CAD FILENAME		MATERIAL NO.
SD74320009.S01		SEE CHART
DRAWING NO.		SHEET NO.
SD-74320-009		1 OF 2

DIMENSIONS:		SHT	REV
mm	INCH		
<input checked="" type="checkbox"/> mm	<input checked="" type="checkbox"/> INCH		
<input type="checkbox"/> mm ONLY	<input type="checkbox"/> INCH ONLY		
REVISIONS			
REVISIONS			
REVISIONS			
REVISIONS			



RECOMMENDED PCB LAYOUT

COMPONENT SIDE OF PCB SHOWN

\* THESE DIMENSIONS REPRESENT CONNECTOR OVERLAY ON PCB.

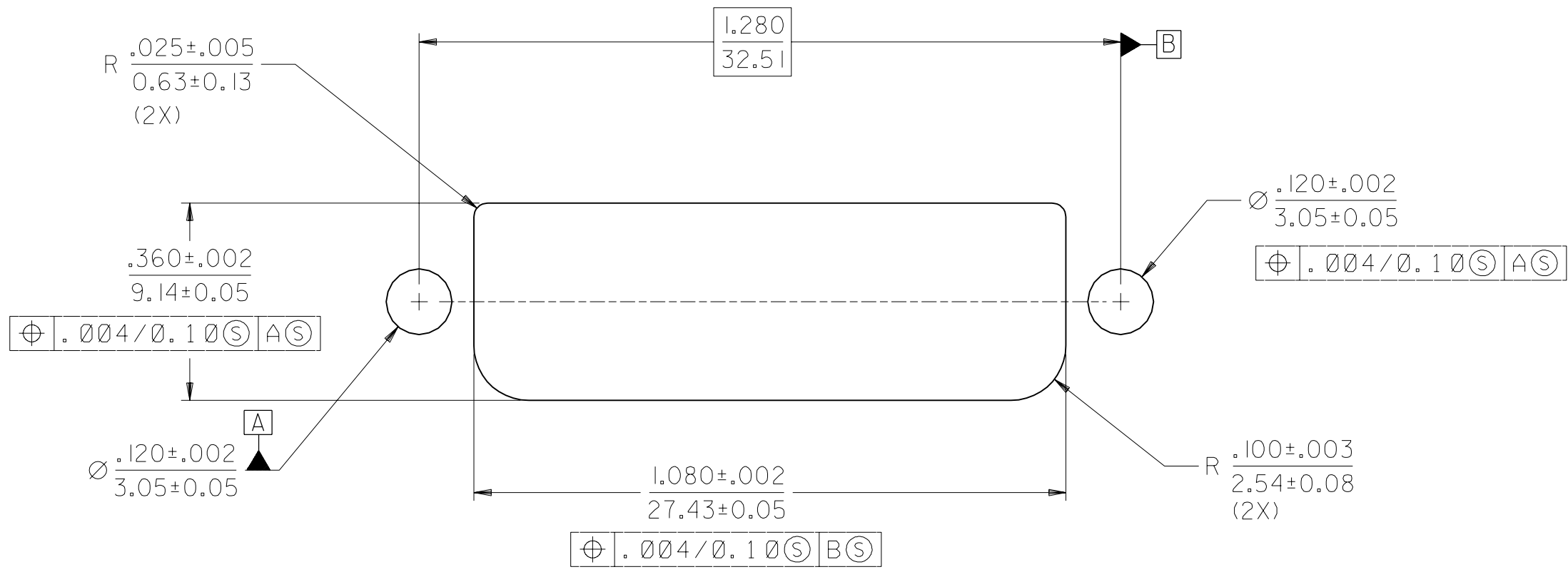
PLATING OPTIONS:

PLATING OPTION #1:

OUTER SHIELD -- 150u"/(3.75um) MIN. BRIGHT TIN OVER 50u"/(1.27um) MIN. NICKEL OVER COPPER FLASH  
 .075"/(1.91mm) CONTACTS -- 30u"/(0.75um) MIN. SELECT GOLD AND 100u"/(2.50um) MIN. SELECT PURE TIN OVER 50u"/(1.27um) MIN. NICKEL OVERALL.

PLATING OPTION #2:

OUTER SHIELD -- 150u"/(3.75um) MIN. BRIGHT TIN OVER 50u"/(1.27um) MIN. NICKEL OVER COPPER FLASH  
 .075"/(1.91mm) CONTACTS -- SELECT GOLD FLASH AND 100u"/(2.50um) MIN. SELECT PURE TIN OVER 50u"/(1.27um) MIN. NICKEL OVERALL.



RECOMMENDED PANEL CUT-OUT

PANEL THICKNESS: .030" - .040"

MODIFICATION EC NO. SH2004-0130 DRWN: DXUE 04/03/05 CHK: HARVEY 04/03/11 APPR: SHUANG 04/03/12	QUALITY SYMBOLS	GENERAL TOLERANCES: (UNLESS SPECIFIED)		SCALE 4 : 1	DESIGN UNITS <input type="checkbox"/> mm <input checked="" type="checkbox"/> INCH	THIRD ANGLE PROJECTION	DIMENSIONS: <input type="checkbox"/> INCH ONLY <input checked="" type="checkbox"/> mm <input type="checkbox"/> INCH ONLY	SHT	REV
	MAJOR = 0	4 PLACES	±0.	±.	DRAWN BY & DATE	TITLE: DVI - D/ATX RIGHT ANGLE RECEPTACLE CONNECTOR W/FORKLOCK MOLEX INCORPORATED	CAD FILENAME SD74320009.S02	MATERIAL NO. SEE CHART	DRAWING NO. SD-74320-009
	CRITICAL = 0	3 PLACES	±0.	±.010	CHECKED BY & DATE				
		2 PLACES	±0.25	±.010	APPROVED BY & DATE				
	1 PLACE	±0.25	±.010	NELLIGAN 99/05/15					
	ANGULAR: ± 1/2°	DRAFT WHERE APPLICABLE MUST REMAIN WITHIN DIMENSIONS		THIS DRAWING CONTAINS INFORMATION THAT IS PROPRIETARY TO MOLEX INCORPORATED AND SHOULD NOT BE USED WITHOUT WRITTEN PERMISSION.		SHEET NO. 2	SIZE C		