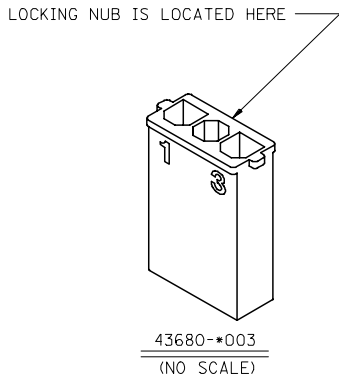


ITEM NUMBER	MATERIAL	COLOR
43680-2003	UL94V-0 NYLON	BLACK
43680-1003	UL94V-2 NYLON	NATURAL (TRANSLUCENT)

- NOTES:**
1. MATERIAL: SEE CHART.
 2. FINISH: NONE.
 3. PRODUCT SPECIFICATION: PSX-44441-9999.
 4. PACKAGING: PK-43680-001.
 5. THIS CONNECTOR HOUSING FOR USE WITH 43178-**** TERMINALS.
 6. THIS CONNECTOR HOUSING WILL MATE TO 43335-***3, 43179-***3 AND 44441-***3 HOUSINGS.
 7. PARTS CONFORM TO CLASS B REQUIREMENTS OF COSMETIC SPEC PS-45499-002.



ADD NOTES 2 & 7 EC NO: UCP2008-0911 DRAWN/PRD/DR 2007/11/15 CHKD:LSH/MT 2007/11/16 APPR:FSM/TH 2007/11/16 REV	QUALITY SYMBOLS	GENERAL TOLERANCES (UNLESS SPECIFIED)	DIMENSION STYLE	SCALE	DESIGN UNITS	THIRD ANGLE PROJECTION															
	$\nabla=0$ $\nabla=0$	<table border="1"> <thead> <tr> <th></th> <th>mm</th> <th>INCH</th> </tr> </thead> <tbody> <tr> <td>4 PLACES</td> <td>± .010</td> <td>± .0004</td> </tr> <tr> <td>3 PLACES</td> <td>± .014</td> <td>± .0005</td> </tr> <tr> <td>2 PLACES</td> <td>± .025</td> <td>± .0010</td> </tr> <tr> <td>1 PLACE</td> <td>± 0.35</td> <td>± .0138</td> </tr> </tbody> </table>		mm	INCH	4 PLACES	± .010	± .0004	3 PLACES	± .014	± .0005	2 PLACES	± .025	± .0010	1 PLACE	± 0.35	± .0138	IN/MM	4:1	INCH	
		mm	INCH																		
	4 PLACES	± .010	± .0004																		
3 PLACES	± .014	± .0005																			
2 PLACES	± .025	± .0010																			
1 PLACE	± 0.35	± .0138																			
DESCRIPTION	DRAFT WHERE APPLICABLE MUST REMAIN WITHIN DIMENSIONS	DRAWN BY DATE CM 03/22/96 CHECKED BY DATE KBP 03/22/96 APPROVED BY DATE RAS 03/22/96	TITLE	3-CIR. PLUG HOUSING .125(3.18)X.020(0.51) SABRE - TPA																	
		MATERIAL NO.		DOCUMENT NO.	SHEET NO.																
		SEE CHART		SD-43680-*003	1 OF 1																
		THIS DRAWING CONTAINS INFORMATION THAT IS PROPRIETARY TO MOLEX INCORPORATED AND SHOULD NOT BE USED WITHOUT WRITTEN PERMISSION																			