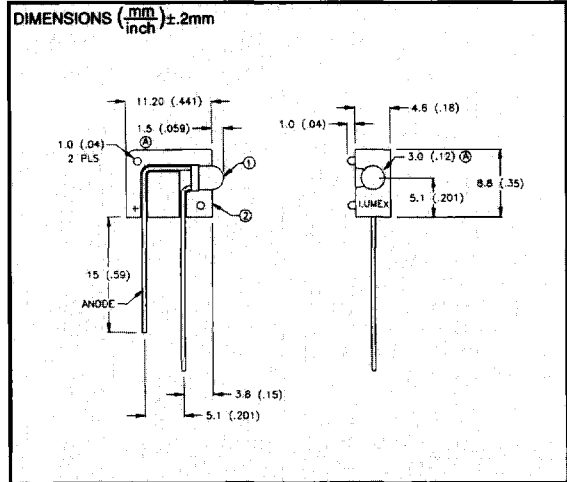


SSF-LXH1031 SERIES P.C. LEAD FRONT/BACK LEADS, MATING UNIT

FEATURES			APPLICATIONS			MATERIAL SPECIFICATIONS		
<ul style="list-style-type: none"> • Easy P.C. Installation • Front Back Leads • Choice of Colors, Current • Blinking Type Option 			<ul style="list-style-type: none"> • P.C. Mount Indicator • Fault Indicator • Back Lighting Indicator • Memory Boards 			<ul style="list-style-type: none"> • Holder: Black Nylon • Termination: 0.5mm □ Leads • Installation: P.C. Mount/Solder 		
LUMEX PART NBR	EMITTED COLOR	OPERATING CURRENT (mA)	OPERATING TYP Volts (V)	BRIGHTNESS TYP (mCD) @ mA	LED SERIES USED			
SSF-LXH1031ID	RED	635	10-25	2.1	8.0	20	SSL-LX3054XX	
SSF-LXH1031SRD	RED	660	10-25	1.7	20.0	20	SSL-LX3054XX	
SSF-LXH1031GD	GREEN	565	10-25	2.1	7.0	20	SSL-LX3054XX	
SSF-LXH1031YD	YELLOW	585	10-25	2.1	7.0	20	SSL-LX3054XX	
BI-COLOR OPTION								
SSF-LXH1031HGW	RED/GREEN	695/565	10-25	2.1	4/4	20	SSL-LX3054XX	
LOW CURRENT OPTIONS								
SSF-LXH1031LID	RED	635	1-5	1.8	1.0	2	SSL-LX3054XX	
SSF-LXH1031LGD	GREEN	565	1-5	1.8	1.0	2	SSL-LX3054XX	
SSF-LXH1031LYD	YELLOW	585	1-5	1.8	1.0	2	SSL-LX3054XX	
BLINKING OPTION								
SSF-LXH1031BID	RED	635	10-20	3-15V	8	9V	SSL-LX3054BXX	

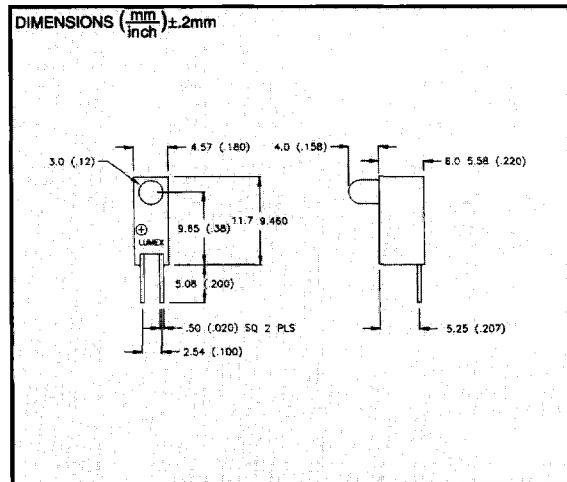
See pages 8-14 for Max. operating limits and operating curves



SSF-LXH1032 SERIES P.C. LED T-3mm LED HIGH PROFILE

FEATURES			APPLICATIONS			MATERIAL SPECIFICATIONS		
<ul style="list-style-type: none"> • Easy P.C. Installation • High Stand-off Position • Choice of Colors, Current 			<ul style="list-style-type: none"> • P.C. Mount Indicator • Fault Indicator • Back Lighting Indicator 			<ul style="list-style-type: none"> • Holder: Black Nylon • Termination: 0.5mm □ Leads • Installation: P.C. Mount/Solder 		
LUMEX PART NBR	EMITTED COLOR	OPERATING CURRENT (mA)	OPERATING TYP Volts (V)	BRIGHTNESS TYP (mCD) @ mA	LED SERIES USED			
SSF-LXH1032ID	RED	635	10-25	2.1	8	20	SSL-LX306F4XX	
SSF-LXH1032SRD	RED	660	10-25	1.7	30	20	SSL-LX306F4XX	
SSF-LXH1032GD	GREEN	565	10-25	2.1	8	20	SSL-LX306F4XX	
SSF-LXH1032YD	YELLOW	585	10-25	2.1	8	20	SSL-LX306F4XX	
SSF-LXH1032OD	ORANGE	625	10-25	2.1	8	20	SSL-LX306F4XX	

See pages 8-14 for Max. operating limits and operating curves



SSF-LXH304 SERIES P.C. LED T-3mm QUICK DELIVERY

FEATURES			APPLICATIONS			MATERIAL SPECIFICATIONS		
<ul style="list-style-type: none"> • Easy P.C. Installation • Fast Delivery Unit • Choice of Colors, Current • Blinking Type Option 			<ul style="list-style-type: none"> • P.C. Mount Indicator • Fault Indicator • Back Lighting Indicator 			<ul style="list-style-type: none"> • Holder: Black Nylon • Termination: 0.5mm □ Leads • Installation: P.C. Mount/Solder 		
LUMEX PART NBR	EMITTED COLOR	OPERATING CURRENT (mA)	OPERATING TYP Volts (V)	BRIGHTNESS TYP (mCD) @ mA	LED SERIES USED			
SF-LXH304ID	RED	635	10-25	2.1	8	20	SSL-LX3044XX	
SF-LXH304SRD	RED	660	10-25	1.7	30	20	SSL-LX3044XX	
SF-LXH304GD	GREEN	565	10-25	2.1	8	20	SSL-LX3044XX	
SF-LXH304YD	YELLOW	585	10-25	2.1	8	20	SSL-LX3044XX	
BI-COLOR OPTION								
SF-LXH304HGW	RED/GREEN	695/565	10-25	2.1	4/4	20	SSL-LX3044XX	
LOW CURRENT OPTIONS								
SF-LXH304LID	RED	635	1-5	1.8	1	2	SSL-LX3044XX	
SF-LXH304LGD	GREEN	565	1-5	1.8	1	2	SSL-LX3044XX	
SF-LXH304LYD	YELLOW	585	1-5	1.8	1	2	SSL-LX3044XX	
BLINKING OPTION								
SF-LXH304BID	RED	635	10-20	3-15V	8	9V	SSL-LX3044XX	

See pages 8-14 for Max. operating limits and operating curves

