

IFO2225-830-FL

22" TFT Fanless Touch Panel Computer with Intel® Atom™ Processor N270



- | | | |
|------------------------------|----------------------|--------------------|
| 1. Brightness adjust buttons | 6. COM 2 (RS-232) | 11. USB 2.0 x2 |
| 2. Volume adjust buttons | 7. VGA | 12. COM 3 (RS-232) |
| 3. Power switch | 8. Ethernet | 13. COM 4 (RS-232) |
| 4. DC-in power connector | 9. USB 2.0 x 2 | |
| 5. COM 1 (RS-232/422/485) | 10. Audio (Line-out) | |



Fanless Low Power DualView

Introduction

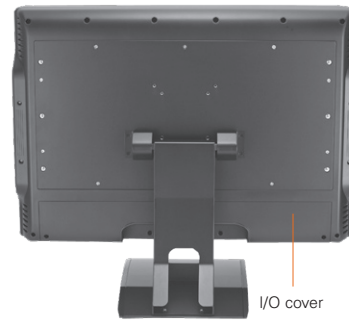
The IFO2225-830-FL is a slim panel computer equipped with a 22-inch 300 nits WSXGA+ LCD display that supports an superior Intel® Atom™ processor N270. Powered by an Intel 945GSE+ICH7M core logic chipset with maximum 256MB sharing graphics memory, this panel computer has enhanced graphics performance. The panel also supports DualView and multiple I/O options including 4 USB 2.0 and 4 RS-232 ports. The IFO2225-830-FL supports an antenna for 802.11b/g wireless connection. The Gigabit Ethernet ports provide an extremely high speed of Ethernet connectivity. It features low noise, low power consumption, high reliability and high performance. Its excellent industrial design (ID) and user friendly interface design makes the IFO2225-830-FL a safe, reliable & user-friendly panel computer. Best suited for infotainment, media content display and DSA solutions.

Water/dust-proof design for entire system: IPX1

The IPX1-rated water/dust-proof housing protects the entire system from outside damage of water drip in a public place. Its unique design improves system stability and saves maintenance/re-installation time.

Features

- 22" (300 nits) WSXGA+ TFT LCD
- Intel® Atom™ processor N270 1.6 GHz
- Water/dust-proof design (front bezel: IP65, full enclosure: IPX1)
- Fanless and noiseless operation
- Optional 1.3 mega pixels camera
- Optional Bluetooth/internal WiFi (802.11 b/g)



▲ Rear view

Specifications

Front Bezel	Plastic ABS (Black)	
LCD Panel	Display Type	22" WSXGA+ TFT
	Brightness (cd/m ²)	300 nits
	Resolution	1680 x 1050
	Viewing Angle (H/V)	178°/178°
Main System	CPU	Intel® Atom™ processor N270 1.6 GHz
	Chipset	Intel® 945GSE + ICH7M
	System Memory	1 x DDR2 SO-DIMM max. up to 2 GB
	BIOS	AMI BIOS with SmartView and customer CMOS Backup
	Storage	Supports 1 x 2.5" SATA HDD 1 x CompactFlash™
	Optical Drive	1 x Super Multi drive (optional)
	Watchdog Timer	255 levels, 1-255 sec.
	Onboard Graphics	Integrated in Intel® 945GSE; max. memory shared 256 MB

Specifications

I/O Connectors	3 x RS-232 (COM 2/3/4) 1 x RS-232/422/485 (COM 1) 4 x USB 2.0 1 x Audio (Line-out) 1 x VGA 1 x 10/100/1000Mbps Ethernet
Expansion Interface	1 x Mini card slot
Camera	1 x 1.3 mega pixels camera
Touchscreen	Resistive type
Power Supply	24VDC with AC-DC power adaptor
Dimensions	573.5 mm (22.58") (W) x 68.5 mm (2.69") (D) x 399 mm (15.71") (H)
Packing Dimensions	730 mm (28.74") (W) x 240 mm (9.45") (D) x 650 mm (25.59") (H)
Weight (net/gross)	8.22 kg (18.12 lb)/9.87 kg (21.76 lb)
Environment	Operating temperature: 0° ~ +40°C (32°F ~ 104°F) Storage Temperature: -20°C ~ +60°C (-4°F ~ +140°F) Relative humidity: 10% ~ 95%, non-condensing
Certification	CE

Ordering Information

IF02225-830-FL-AC -DVDRW	22" WSXGA TFT high brightness fanless panel computer with Intel® Atom™ N270, resistive T/S, Super Multi drive and camera
IF02225-830-FL-AC	22" WSXGA TFT high brightness fanless panel computer with Intel® Atom™ N270, resistive T/S (w/o Super Multi drive and camera)

* Specification and certifications are based on options and may vary.

* Super Multi drive includes DVD-R, DVD-RW and DVD-RAM.

Optional Accessories

E202003330	VM-101 VESA ARM (clamp type)
E202003329	VM-105 VESA ARM (wall mount type)
E222175103	22" stand kit

Optional EOS Installation

Windows® XP Embedded

Optional OS Installation

Windows® XP

Windows® 7

Overview

Industrial Panel
Computers &
Monitors

Heavy-duty Fanless
Touch Panel
Computers

Digital
Signage
Solutions

Healthcare
& Medical
Solutions

Open Frame
Panel
Computers

Accessories

Dimensions

