

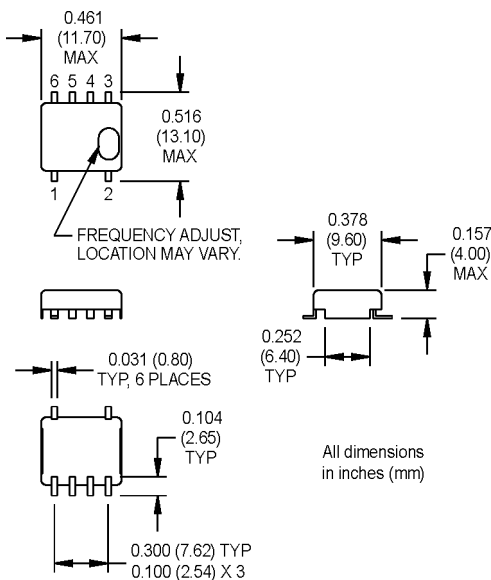
# MTCO11/21 Series

13.1 x 11.7 mm, 3.0 or 5.0 Volt, Clipped Sinewave, TCXO



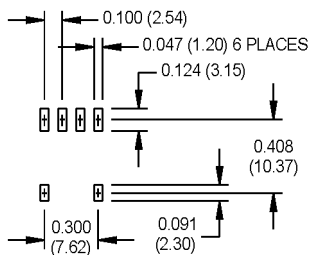
Small size, high precision TCXO available in standard frequencies for telecommunications and other RF applications requiring clipped sinewave output with low power consumption. Operating voltage of 3 V or 5 V available.

MODEL NO.	SPECIFICATIONS
MTCO-11A5	-15°C to +55°C, ±2.5 ppm, V <sub>cc</sub> = 5.0 V ±5%
MTCO-11A3	-15°C to +55°C, ±2.5 ppm, V <sub>cc</sub> = 3.0 V ±5%
MTCO-21A5	-30°C to +75°C, ±2.5 ppm, V <sub>cc</sub> = 5.0 V ±5%
MTCO-21A3	-30°C to +75°C, ±2.5 ppm, V <sub>cc</sub> = 3.0 V ±5%



All dimensions in inches (mm)

### SUGGESTED SOLDER PAD LAYOUT



### Electrical Specifications

PARAMETERS	VALUE
Frequency Range	12.800 to 20.000 MHz
Stability	±2.5 ppm
Stability with ±5% V <sub>cc</sub> Change	±0.5 ppm
Aging	±1 ppm/yr. Max.
Operating Temperature	-15°C to +55°C or -30°C to +75°C
Storage Temperature	-40°C to +85°C
Supply Voltage	5.0 V ±5%   3.0 V ±5%
Supply Current	3 mA Max.
Output (Clipped Sinewave)*	1.0 V p-p Min.   0.7 V p-p Min.
Frequency Adjustment (Int. Trimmer)	±3 ppm Min.

- Load of 10K Ω in parallel with 10 pF.
- See load circuit diagram #7.

### Pin Connections

PIN	FUNCTION
1	Ground
2	Ground
3	Output
4	Ground
5	N/C
6	+V <sub>cc</sub>