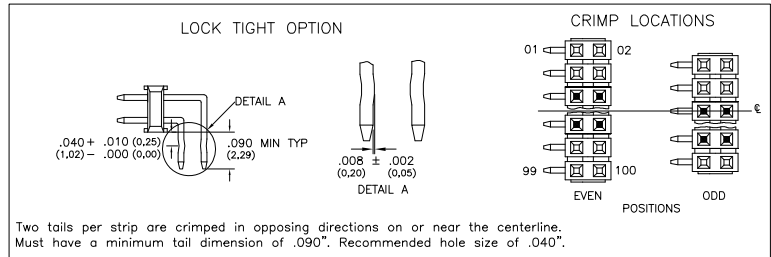
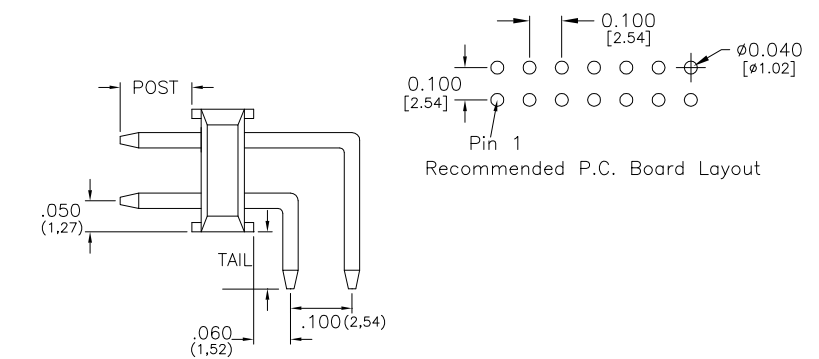
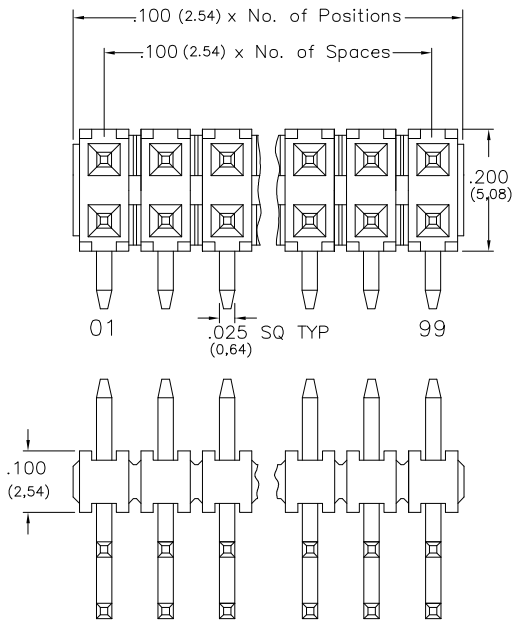


Major League Electronics .100 cl Low Profile Terminal Strip Header - Custom Right Angle



Length (L) - Post Height (P) - .190 (4.83) = Tail Length (T) Tails may be clipped to achieve desired pin length

Ordering Information

LTSHCR-1 [X] - D - [X] - [X] - [X] - [X] - [X] - [X] - LF

Pins Per Row

01 - 50

Row Specification

D = Dual Row

Lead Free

Every Other Pin Filled (.200 Centers)

Leave blank if not needed

E = Filled

Polarized Position

Leave blank if not needed

If required, specify empty pin position, e.g. 012 for Pin 12

Lock Tight "LT" (Optional)

Leave blank if not needed

LT = With

Max Post		Pin Option		
	Length			
.150	3.81mm	.430	10.92mm	06
.250	6.36mm	.530	13.46mm	14
.350	8.89mm	.630	16.00mm	16
.450	11.43mm	.730	18.54mm	20
.550	13.97mm	.830	21.08mm	22
.650	16.51mm	.930	23.62mm	24
.750	19.05mm	1.030	26.16mm	26
.850	21.59mm	1.130	28.70mm	28
.950	24.13mm	1.230	31.24mm	30

Desired Post Height

Please specify
e.g. .100 (2.54) = 100

Plating Options	
G	- 10µ Gold on Contact area/Flash on Tail
T	- Matte Tin all Over
GT	- 10µ Gold on Contact Area / Matte Tin on Tail
H	- 30µ Gold on Contact Area / Matte Tin on Tail
F	- Gold Flash over Entire Pin

Specifications

Current Rating: 3.0 Ampere

Insulation Resistance: 1000MΩ Min.

Dielectric Withstanding: 600V AC

Contact Resistance: 20 mΩ Max.

Operating Temperature: -40°C to + 105°C

Max. Process Temperature:

Peak: 260°C up to 20 secs.

Process: 230°C up to 60 secs.

Wave: 260°C up to 6 secs.

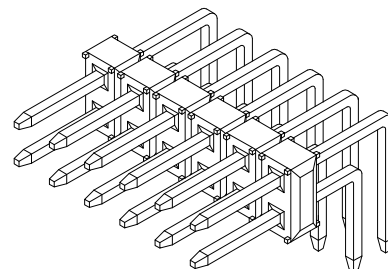
Manual Solder: 350°C up to 5 secs.

Materials

Contact Material: Phosphor Bronze

Insulator Material: Nylon 6T

Plating: Au or Sn over 50µ" (1.27) Ni



Mates with:

BCSS,
BSSH,
BSSHC,
BSSQ,
BSSQC,
BSSQM,
LBCSS,
LSMBC,
LSWSS,
SMBC,
SSHQ,
SSHQR,
SSHR,
SSHS,
SSHSM

Products cut to specific sizes are uncancellable/nonreturnable

Parts are subject to change without notice

LTSHCR-1-D SERIES

.100 cl Dual Row - Right Angle
Low Profile Terminal Strip Header - Custom

16 JAN 07

Scale
NTS

UNLESS OTHERWISE SPECIFIED
DIMENSIONS IN INCHES (MM)
TOLERANCES ARE:

ONE PLACE DECIMALS ±.100
TWO PLACE DECIMALS ±.010
THREE PLACE DECIMALS ±.005
FOUR PLACE DECIMALS ±.0020
ANGLES
±.5°



4235 Earnings Way, New Albany, Indiana, 47150, USA
1-800-782-3486 (USA/Canada/Mexico)

Tel: 812-944-7244

Fax: 812-944-7268

E-mail: mle@mlelectronics.com

Web: www.mlelectronics.com

Edition
1

Sheet
1/1