

MAX14778

Dual $\pm 25V$ Above- and Below-the-Rails 4:1 Analog Multiplexer

General Description

The MAX14778 dual 4:1 analog multiplexer supports analog signals up to $\pm 25V$ with a single 3.0 to 5.5V supply. Each multiplexer has separate control inputs to allow independent switching, making the device ideal for multiplexing different communications signals with the same connector pins. Extended ESD protection of $\pm 6kV$ (Human Body Model) enable direct interfacing to cables and connectors.

The MAX14778 features a low 1.5Ω (max) on-resistance and $3m\Omega$ (typ) flatness to maximize signal integrity over the entire common-mode voltage range. Each multiplexer can carry up to 300mA of continuous current through the multiplexer in either direction.

The MAX14778 supports switching of full-speed USB 1.1 signals (12Mbps) and RS-485 data rates of up to 20Mbps.

The MAX14778 is available in a 20-pin (5mm x 5mm) TQFN package and is specified over the $-40^{\circ}C$ to $+85^{\circ}C$ extended temperature range.

Applications

RS-485/RS-232/USB 1.1 Multiplexing
 POS Peripherals
 Handheld Industrial Devices
 Communication Systems
 Audio/Data Multiplexing
 Connector Sharing
 Gaming Machines

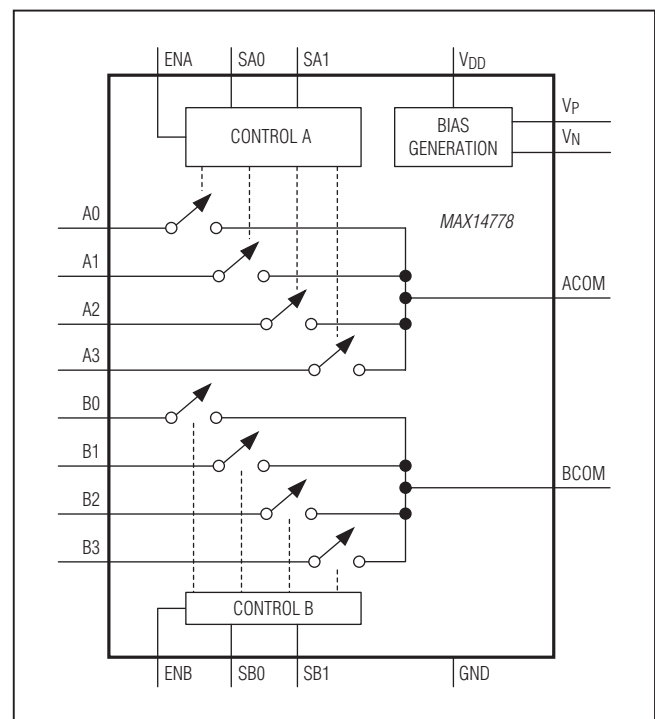
Features

- ◆ $\pm 25V$ Signal Range
- ◆ Single 3.0V to 5.5V Supply
- ◆ Two Independent Multiplexers
- ◆ 1.5Ω R_{ON} (max)
- ◆ $3m\Omega$ R_{ON} Flatness (typ)
- ◆ 300mA Maximum Current Through Multiplexer
- ◆ 78pF Input Capacitance
- ◆ 75MHz Large-Signal Bandwidth
- ◆ Break-Before-Make Operation
- ◆ Extended ESD Protection on A₋ and B₋ Pins
 - ◇ $\pm 6kV$ Human Body Model (HBM)

Ordering Information appears at end of data sheet.

For related parts and recommended products to use with this part, refer to www.maximintegrated.com/MAX14778.related.

Functional Diagram



MAX14778

Dual $\pm 25V$ Above- and Below-the-Rails 4:1 Analog Multiplexer

ABSOLUTE MAXIMUM RATINGS

(All voltages referenced to GND.)

V_{DD}	-0.3V to +6V	Continuous Current Through Switch.....	$\pm 500mA$
V_P	-0.3V to the lesser of +52V and ($V_N + 70V$)	Continuous Power Dissipation ($T_A = +70^\circ C$)	
V_N	The lesser of ($V_{DD} - 40V$) and ($V_P - 70V$) to +0.3V	TQFN (derate 33.3mW/ $^\circ C$ above +70 $^\circ C$).....	2666.7mW
V_P to V_N	-0.3V to +70V	Operating Temperature Range.....	-40 $^\circ C$ to +85 $^\circ C$
ENA, ENB, SA ₋ , SB ₋	-0.3V to ($V_{DD} + 0.3V$)	Junction Temperature.....	+150 $^\circ C$
A ₋ , ACOM, B ₋ , BCOM.. ($V_N - 0.3V$) to the lesser of ($V_P + 0.3V$) and ($V_N + 52V$)		Storage Temperature Range.....	-65 $^\circ C$ to +150 $^\circ C$
		Lead Temperature (soldering, 10s).....	+300 $^\circ C$
		Soldering Temperature (reflow).....	+260 $^\circ C$

Stresses beyond those listed under "Absolute Maximum Ratings" may cause permanent damage to the device. These are stress ratings only, and functional operation of the device at these or any other conditions beyond those indicated in the operational sections of the specifications is not implied. Exposure to absolute maximum rating conditions for extended periods may affect device reliability.

PACKAGE THERMAL CHARACTERISTICS (Note 1)

TQFN

Junction-to-Ambient Thermal Resistance (θ_{JA}).....	30 $^\circ C/W$
Junction-to-Case Thermal Resistance (θ_{JC}).....	2 $^\circ C/W$

Note 1: Package thermal resistances were obtained using the method described in JEDEC specification JESD51-7, using a four-layer board. For detailed information on package thermal considerations, refer to www.maximintegrated.com/thermal-tutorial.

ELECTRICAL CHARACTERISTICS

($V_{DD} = 3.0V$ to $5.5V$, $T_A = -40^\circ C$ to $+85^\circ C$, unless otherwise noted. Typical values are at $V_{DD} = 5V$, $T_A = +25^\circ C$.) (Note 2)

PARAMETER	SYMBOL	CONDITIONS	MIN	TYP	MAX	UNITS
DC CHARACTERISTICS						
Supply Voltage Range	V_{DD}		3.0		5.5	V
Supply Current	I_{DD}	ENA = ENB = high	$V_{DD} \leq V_{DDTH}$	4.27	10	mA
			$V_{DD} > V_{DDTH}$	2.54	6	
		$V_{ENA} = V_{ENB} = V_{DD}/2$	$V_{DD} \leq V_{DDTH}$	4.31	10	
			$V_{DD} > V_{DDTH}$	2.59	6	
Charge-Pump Threshold	V_{DDTH}	(Note 3)		4.64		V
Analog Signal Range	V_{IN}	Figure 1, switch open or closed	-25		+25	V
Continuous Current Through Switch	I_{COM}		-300		+300	mA
On-Resistance	R_{ON}	Figure 1, $I_{COM} = \pm 300mA$, $V_{IN} = \pm 25V$		0.84	1.5	Ω
On-Resistance Flatness	$R_{FLAT(ON)}$	Figure 1, $-25V \leq V_{IN} \leq +25V$, $I_{COM} = \pm 300mA$		3		m Ω
A ₋ , B ₋ Off-Leakage Current	$I_{A(OFF)}$, $I_{B(OFF)}$	Figure 2, $V_{IN} = 25V$, $V_{OUT} = 0V$	-200		+200	nA
ACOM, BCOM Off-Leakage Current	$I_{ACOM(OFF)}$, $I_{BCOM(OFF)}$	Figure 2, $V_{OUT} = 15V$, $V_{IN} = 0V$	-1		+1	μA
A ₋ , B ₋ On-Leakage Current	$I_{A(ON)}$, $I_{B(ON)}$	Figure 2, $V_{IN} = \pm 25V$, ACOM or BCOM is unconnected	-1		+1	μA

MAX14778

Dual $\pm 25V$ Above- and Below-the-Rails 4:1 Analog Multiplexer

ELECTRICAL CHARACTERISTICS (continued)

($V_{DD} = 3.0V$ to $5.5V$, $T_A = -40^\circ C$ to $+85^\circ C$, unless otherwise noted. Typical values are at $V_{DD} = 5V$, $T_A = +25^\circ C$.) (Note 2)

PARAMETER	SYMBOL	CONDITIONS	MIN	TYP	MAX	UNITS
LOGIC INPUTS (ENA, ENB, SA_, SB_)						
Input Logic-Low Voltage	V_{IL}	$V_{DD} = 5.5V$			0.8	V
		$V_{DD} = 4.5V$			0.8	
		$V_{DD} = 3.6V$			0.7	
		$V_{DD} = 3.0V$			0.7	
Input Logic-High Voltage	V_{IH}	$V_{DD} = 5.5V$	2.1			V
		$V_{DD} = 4.5V$	2.0			
		$V_{DD} = 3.6V$	1.9			
		$V_{DD} = 3.0V$	1.7			
AC CHARACTERISTICS						
Power-Up Time	t_{POR}			404		ms
Enable Turn-On Time	t_{ON}	Figure 3, $V_{IN} = \pm 10V$, $R_L = 10k\Omega$, $C_L = 15pF$			2	ms
Enable Turn-Off Time	t_{OFF}	Figure 3, $V_{IN} = \pm 10V$, $R_L = 10k\Omega$, $C_L = 15pF$			1.5	ms
Break-Before-Make Interval	t_{BBM}	Figure 4, $V_{IN} = \pm 10V$, $R_L = 10k\Omega$, $C_L = 15pF$		840		μs
Charge Injection	Q	Figure 5, $V_{A_} = 0V$, $C_L = 1nF$		1720		pC
Off-Isolation	V_{ISO}	Figure 6, $V_{A_} = 1V_{RMS}$, $f = 100kHz$, $R_L = 50\Omega$, $C_L = 15pF$		-80		dB
Crosstalk	V_{CT}	Figure 6, $f = 100kHz$, $R_S = R_L = 50\Omega$		-103		dB
-3dB Bandwidth	BW	Figure 6, $R_S = 50\Omega$, $R_L = 50\Omega$		75		MHz
Total Harmonic Distortion Plus Noise	THD+N	$R_S = R_L = 1k\Omega$, $f = 20Hz$ to $20kHz$		0.003		%
Input Capacitance	C_{IN}	$A_$, $B_$ pins		78		pF
THERMAL PROTECTION						
Thermal-Shutdown Threshold	T_{SHUT}			145		$^\circ C$
Thermal-Shutdown Hysteresis	T_{HYST}			25		$^\circ C$
ESD PROTECTION						
$A_$, $B_$ Pins (Note 4)		Human Body Model		± 6		kV
All Other Pins		Human Body Model		± 2		kV

Note 2: All units are production tested at $T_A = +25^\circ C$. Specifications over temperature are guaranteed by design.

Note 3: When V_{DD} is higher than the charge-pump threshold, the internal 5V regulated charge pump is turned off and the input to the high-voltage charge pumps is provided by V_{DD} .

Note 4: The MAX14778 requires a 100nF capacitor on both V_P and V_N to GND to guarantee full ESD protection. See the *Applications Information* section for details on ESD test conditions.

MAX14778

Dual $\pm 25V$ Above- and Below-the-Rails 4:1 Analog Multiplexer

Test Circuits/Timing Diagrams

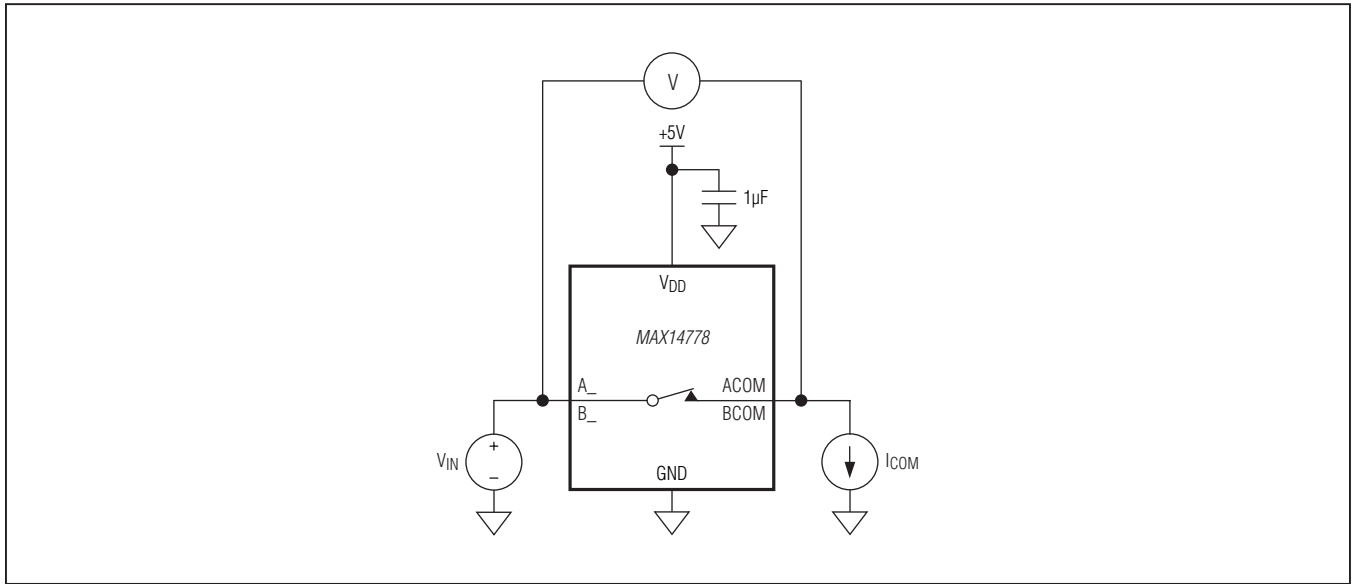


Figure 1. On-Resistance Measurement

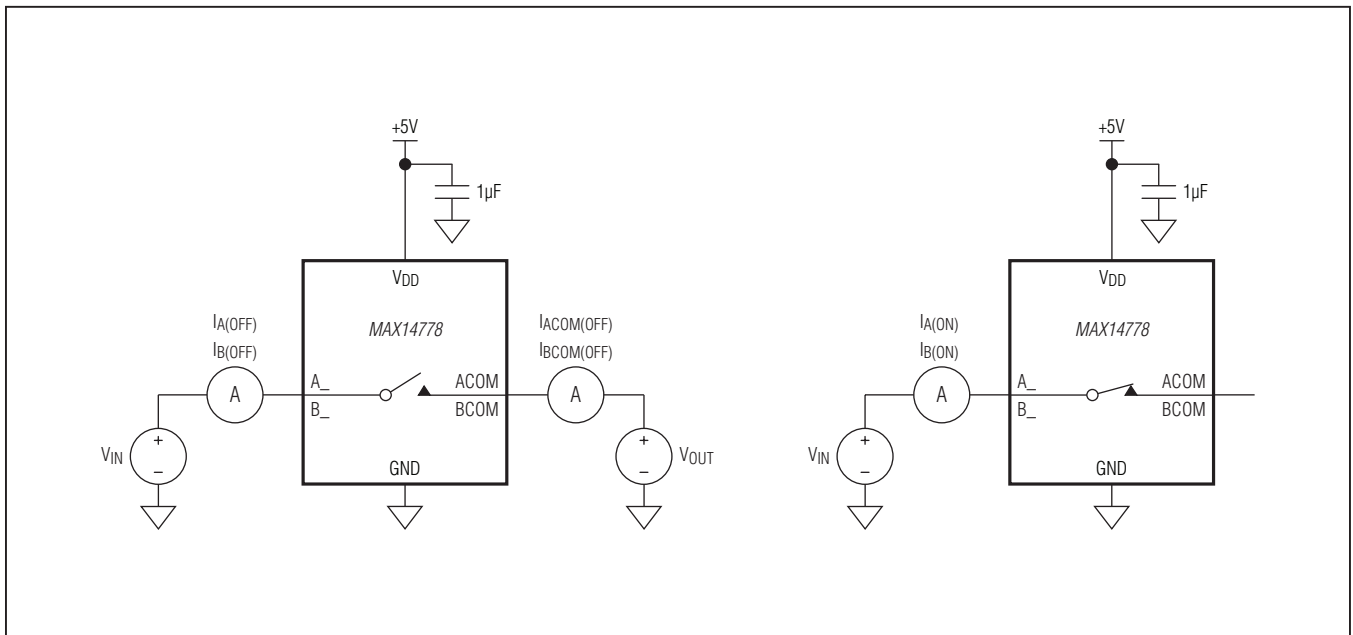


Figure 2. Leakage Current Measurement

MAX14778

Dual $\pm 25V$ Above- and Below-the-Rails 4:1 Analog Multiplexer

Test Circuits/Timing Diagrams (continued)

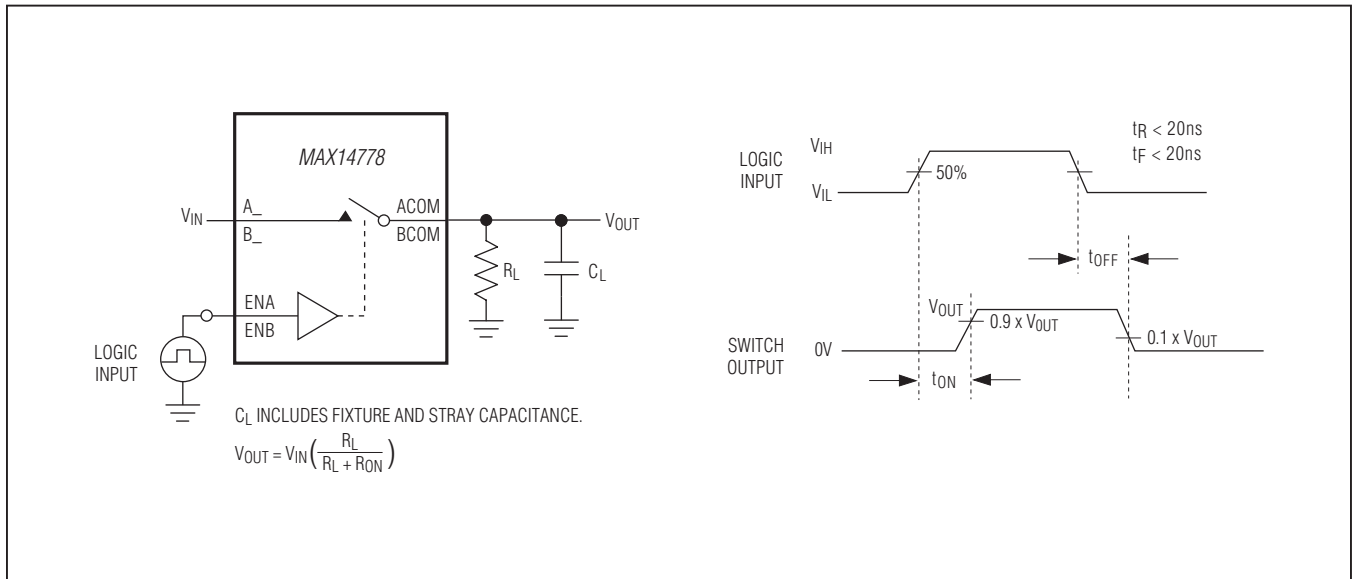


Figure 3. Turn-On/Turn-Off Timing

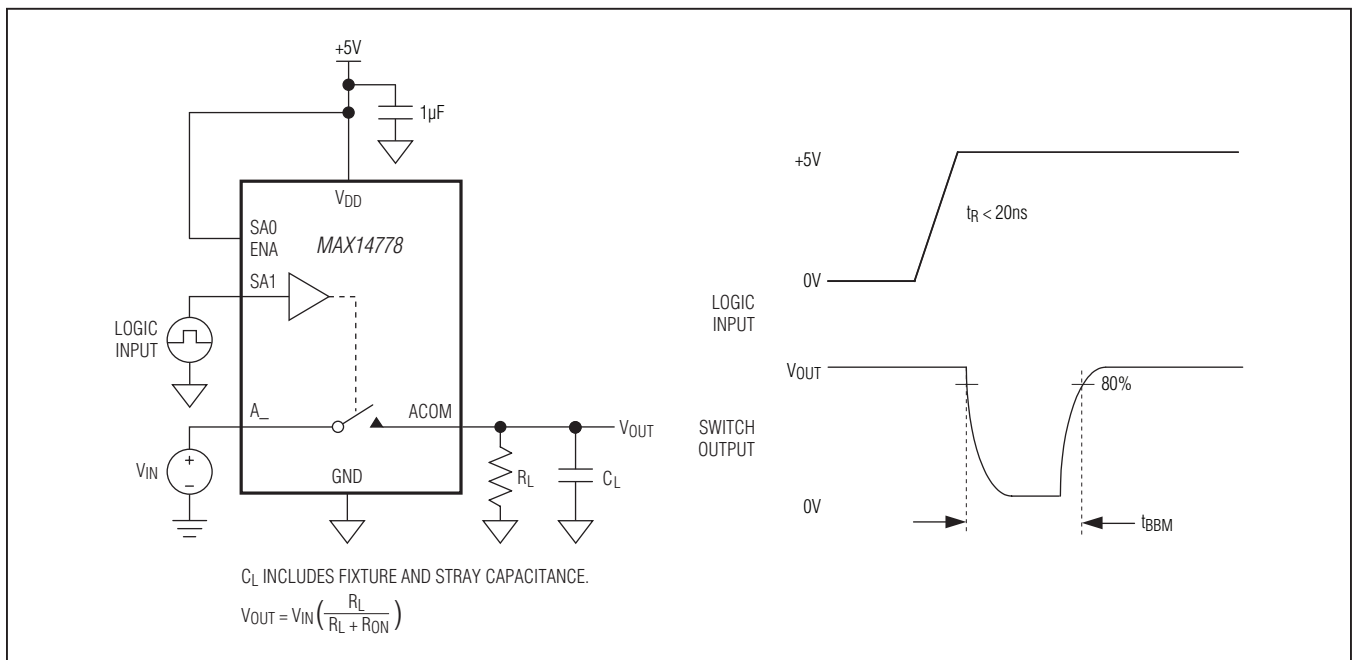


Figure 4. Break-Before-Make Timing

MAX14778

Dual $\pm 25V$ Above- and Below-the-Rails 4:1 Analog Multiplexer

Test Circuits/Timing Diagrams (continued)

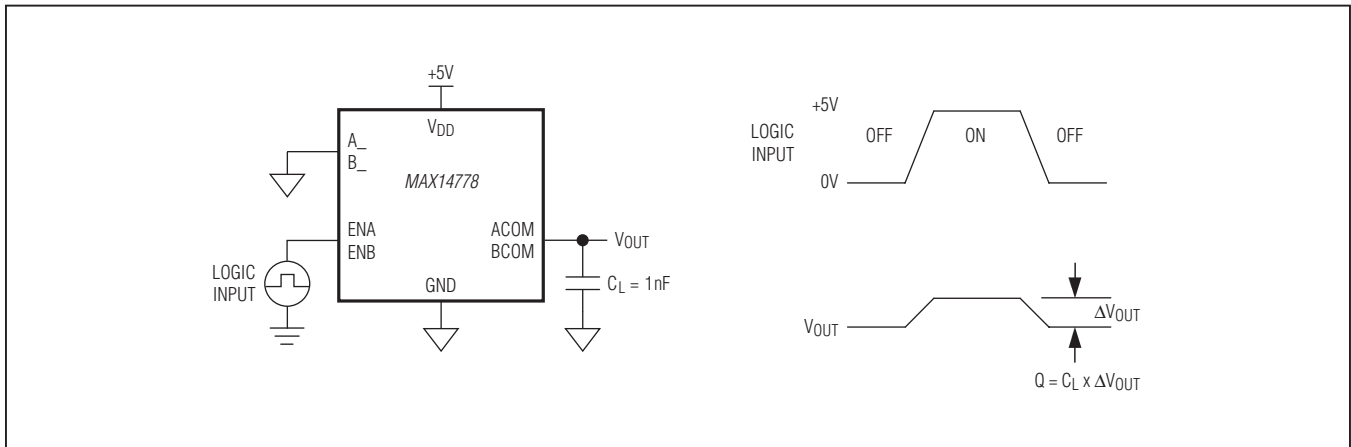


Figure 5. Charge Injection

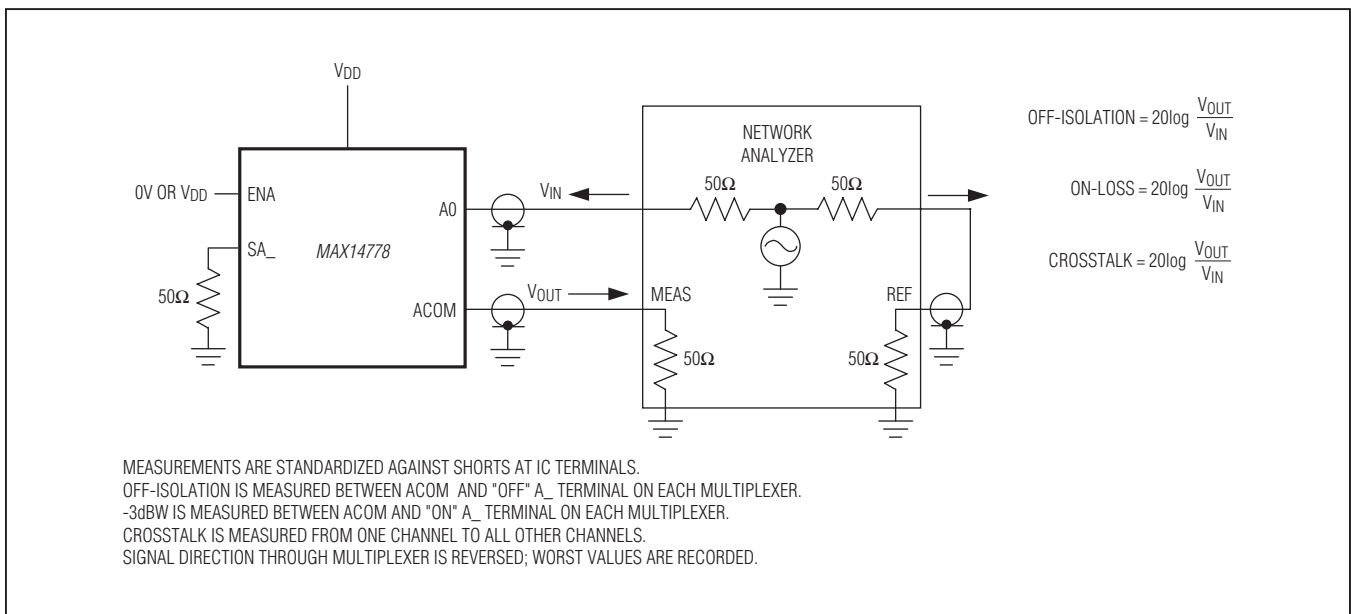


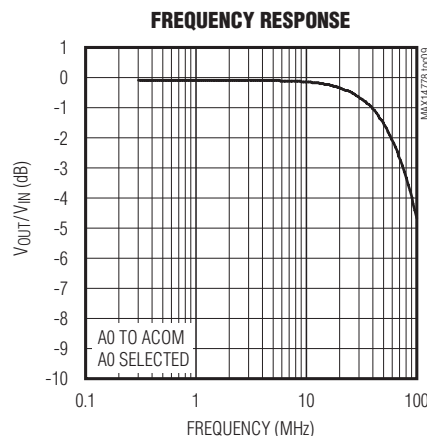
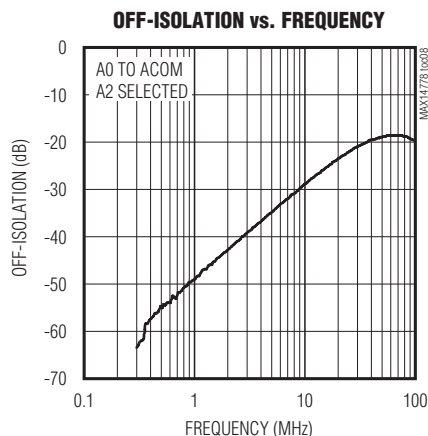
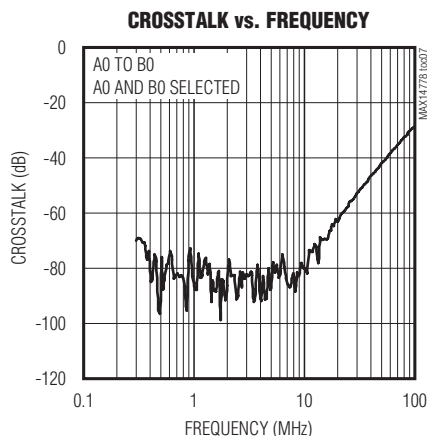
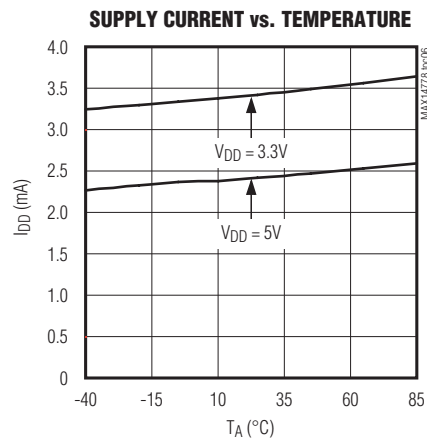
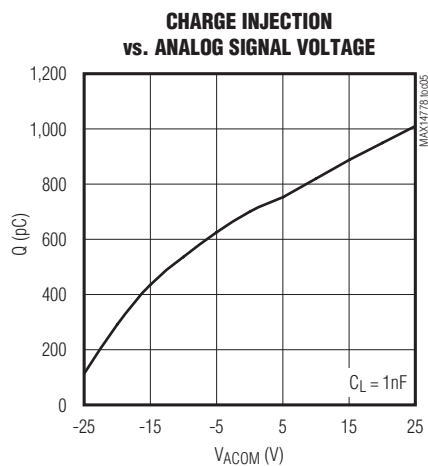
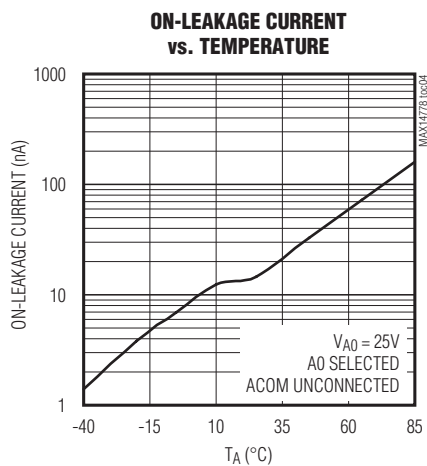
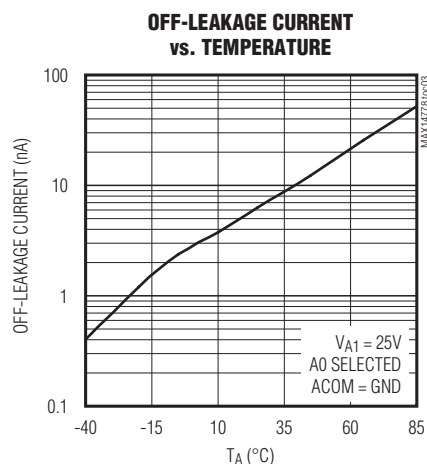
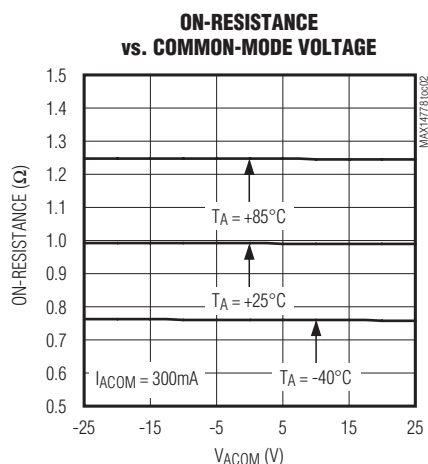
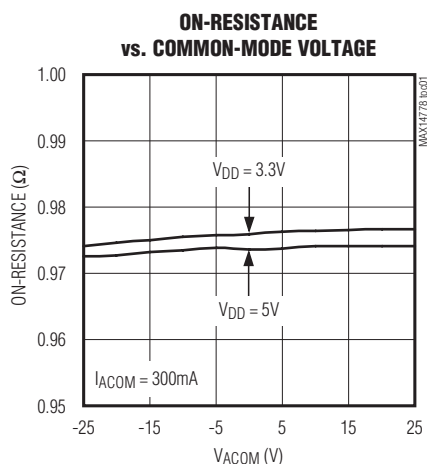
Figure 6. Off-Isolation, -3dB Bandwidth, and Crosstalk

MAX14778

Dual $\pm 25V$ Above- and Below-the-Rails 4:1 Analog Multiplexer

Typical Operating Characteristics

($V_{DD} = 5.0V$, $T_A = +25^\circ C$, unless otherwise noted.)

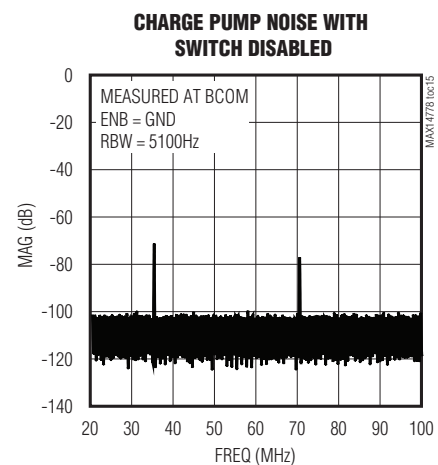
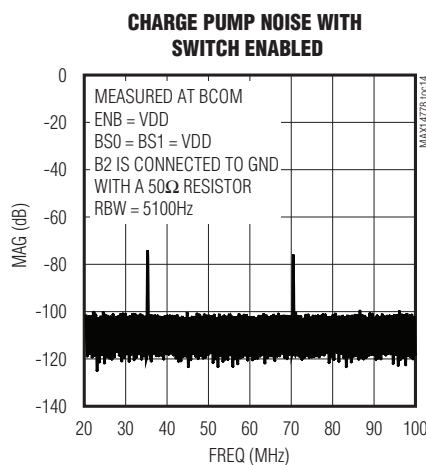
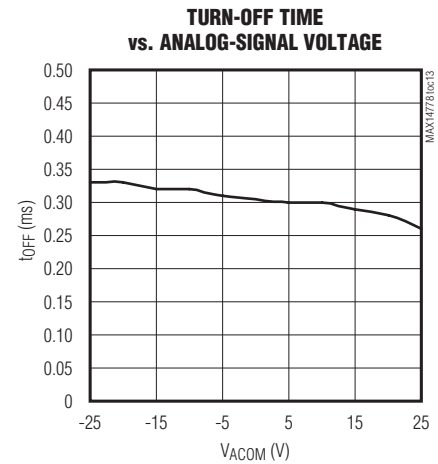
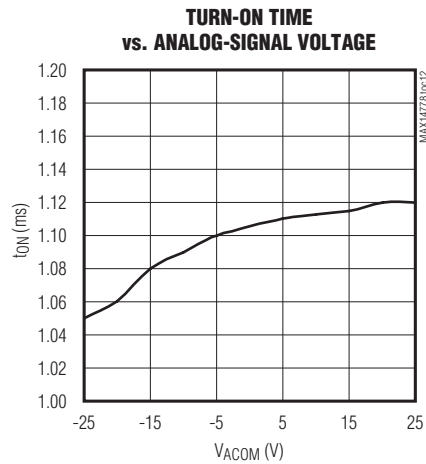
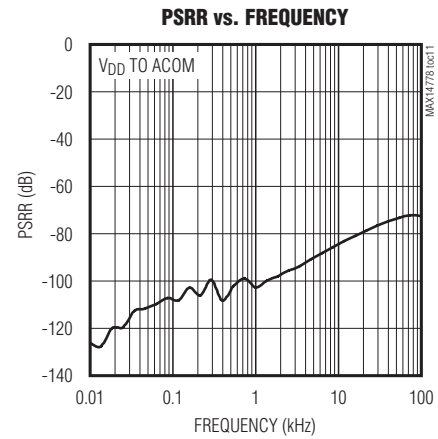
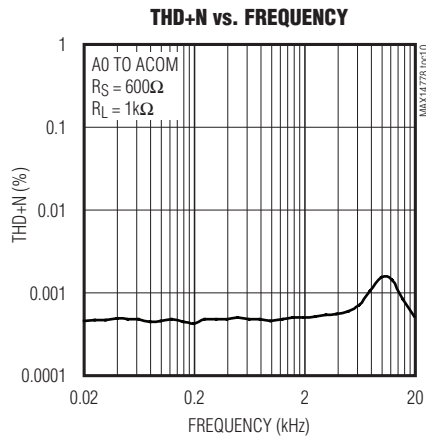


MAX14778

Dual $\pm 25V$ Above- and Below-the-Rails 4:1 Analog Multiplexer

Typical Operating Characteristics (continued)

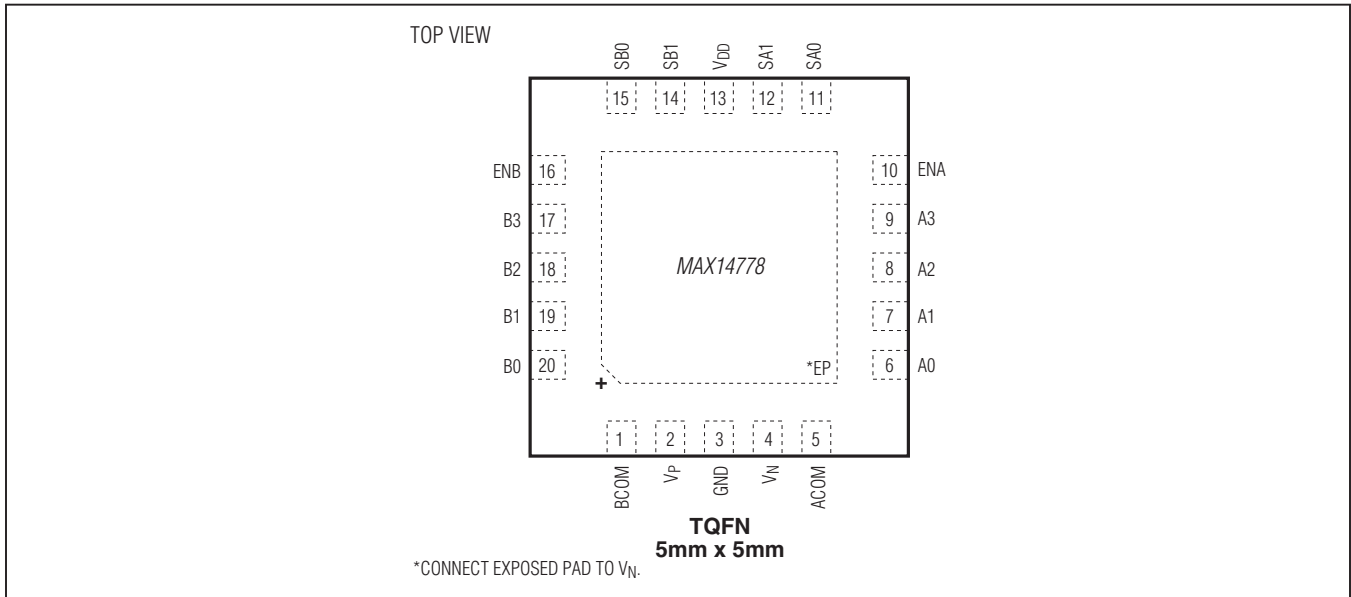
($V_{DD} = 5.0V$, $T_A = +25^\circ C$, unless otherwise noted.)



MAX14778

Dual $\pm 25V$ Above- and Below-the-Rails 4:1 Analog Multiplexer

Pin Configuration



Pin Description

PIN	NAME	FUNCTION
1	BCOM	MUX B Common Terminal
2	V_P	Positive Charge-Pump Output. Bypass V_P to GND with a 100nF 50V ceramic capacitor.
3	GND	Ground
4	V_N	Negative Charge-Pump Output. Bypass V_N to GND with a 100nF 50V ceramic capacitor.
5	ACOM	MUX A Common Terminal
6	A0	MUX A Bidirectional Analog Input/Output 0
7	A1	MUX A Bidirectional Analog Input/Output 1
8	A2	MUX A Bidirectional Analog Input/Output 2
9	A3	MUX A Bidirectional Analog Input/Output 3
10	ENA	MUX A Enable Input
11	SA0	MUX A Channel Select Input 0
12	SA1	MUX A Channel Select Input 1
13	V_{DD}	Power-Supply Input. Bypass V_{DD} to GND with a 1 μ F ceramic capacitor.
14	SB1	MUX B Channel Select Input 1
15	SB0	MUX B Channel Select Input 0
16	ENB	MUX B Enable Input
17	B3	MUX B Bidirectional Analog Input/Output 3
18	B2	MUX B Bidirectional Analog Input/Output 2
19	B1	MUX B Bidirectional Analog Input/Output 1
20	B0	MUX B Bidirectional Analog Input/Output 0
—	EP	Exposed Pad. Connect EP to V_N. EP is not intended as an electrical connection point.

MAX14778

Dual $\pm 25V$ Above- and Below-the-Rails 4:1 Analog Multiplexer

Truth Tables

Table 1. MUX A Channel Selection

ENA	SA1	SA0	ACOM CONNECTED TO
0	X	X	Open
1	0	0	A0
1	0	1	A1
1	1	0	A2
1	1	1	A3

X = Don't care

Table 2. MUX B Channel Selection

ENB	SB1	SB0	BCOM CONNECTED TO
0	X	X	Open
1	0	0	B0
1	0	1	B1
1	1	0	B2
1	1	1	B3

X = Don't care

Detailed Description

The MAX14778 dual 4:1 analog multiplexer integrates bias circuitry to provide a $\pm 25V$ analog voltage range with a single 3.0 to 5.5V supply. This extended input range allows multiplexing different communications signals such as RS-232, RS-485, audio and USB 1.1 onto the same connector.

Integrated Bias Generation

The MAX14778 contains a total of three charge pumps to generate bias voltages for the internal switches: a 5V regulated charge pump, a positive high-voltage (+35V) charge pump, and a negative high-voltage (-27V) charge pump. When V_{DD} is above 4.7V (typ), the 5V regulated charge pump is bypassed and V_{DD} provides the input for the high-voltage charge pumps, reducing overall supply current.

An external 100nF capacitor is required for each high-voltage charge pump between V_P/V_N and GND.

Analog Signal Levels

The MAX14778 transmits signals of up to $\pm 25V$ with a single 3.0 to 5.5V supply due to integrated bias circuitry. The device features 1.5Ω (max) on-resistance and $3m\Omega$ (typ) flatness for analog signals between -25V and +25V (see the [Typical Operating Characteristics](#)). The current flow through the multiplexers can be bidirectional, allowing operation either as a multiplexer or demultiplexer.

Digital Interface

The MAX14778 has two digital select inputs for each MUX: SA1 and SA0 control MUX A; SB1 and SB0 control MUX B. Drive the digital select inputs high or low to select which input (A₀, B₀) is connected to the common terminal (ACOM, BCOM) for each MUX. See the [Truth Tables](#) for more information.

Each MUX features an independent enable input (ENA and ENB). Drive ENA or ENB low to disconnect all inputs from the common terminal for that MUX, regardless of the status of the select inputs or the other enable input.

Applications Information

Connector Sharing

The MAX14778 supports a $\pm 25V$ analog signal range independently for each input/output, allowing physical connector sharing between interface types that have differing signal ranges.

The multiprotocol connector-sharing application in the [Typical Operating Circuits](#) shows an application with RS-232, half-duplex RS-485, full-speed USB 1.1, and audio signals sharing the same connector. The device allows signals to pass over the entire signal range specified by each standard while safely isolating the unused transceivers.

MAX14778

Dual $\pm 25V$ Above- and Below-the-Rails 4:1 Analog Multiplexer

Non-Powered Condition

The MAX14778 can tolerate input voltages on the A₋, B₋, ACOM, and BCOM pins in the $\pm 25V$ range when it is not powered.

When VDD = 0V, the DC input leakage current into the A₋, B₋, ACOM or BCOM pins will typically be below 1 μ A. Some devices can have a larger leakage current up to mA range due to technology spread.

With VDD not powered, internal diodes between the analog pins and the VP and VN will charge up the external capacitors on VP and VN when positive and/or negative voltages are applied to these pins. This causes transient input current flow.

Large dv/dt on the inputs causes large capacitive charging currents, which have to be limited to the 300mA Absolute Maximum Ratings in order to not destroy the internal diodes. With 100nF capacitors on VP and VN, the dv/dt must be limited to 3V/ μ s once the capacitors reach their final voltage; the input current decays to the leakage current levels mentioned above.

High-ESD Protection

Electrostatic discharge (ESD)-protection structures are incorporated on all pins to protect against electrostatic discharges up to $\pm 2kV$ Human Body Model (HBM) encountered during handling and assembly. A₋ and B₋ are further protected against ESD up to $\pm 6kV$ (HBM) without damage. The ESD structures withstand high ESD both in normal operation and when the device is powered down. After an ESD event, the MAX14778 continues to function without latchup.

ESD Test Conditions

ESD performance depends on a variety of conditions. Contact Maxim for a reliability report that documents test setup, test methodology, and test results.

The MAX14778 requires a 100nF capacitor on both V_P and V_N to GND to guarantee full ESD protection.

Human Body Model

Figure 7 shows the Human Body Model. Figure 8 shows the current waveform it generates when discharged into a low impedance. This model consists of a 100pF capacitor charged to the ESD voltage of interest that is then discharged into the device through a 1.5k Ω resistor.

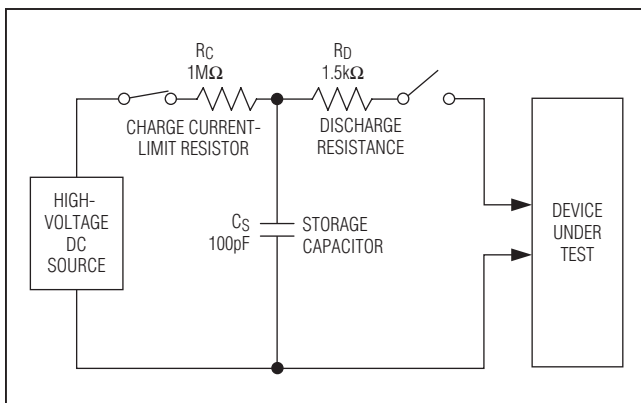


Figure 7. Human Body ESD Test Model

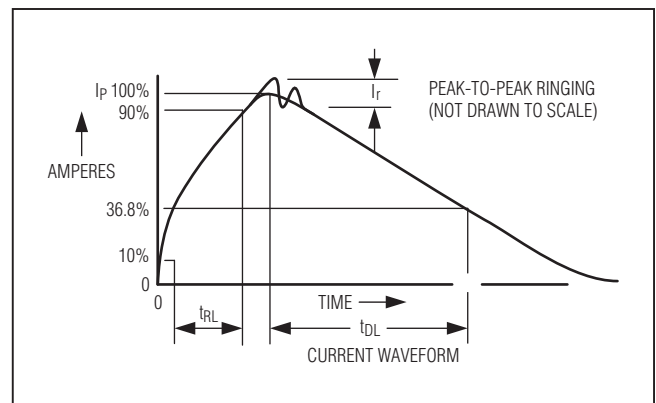
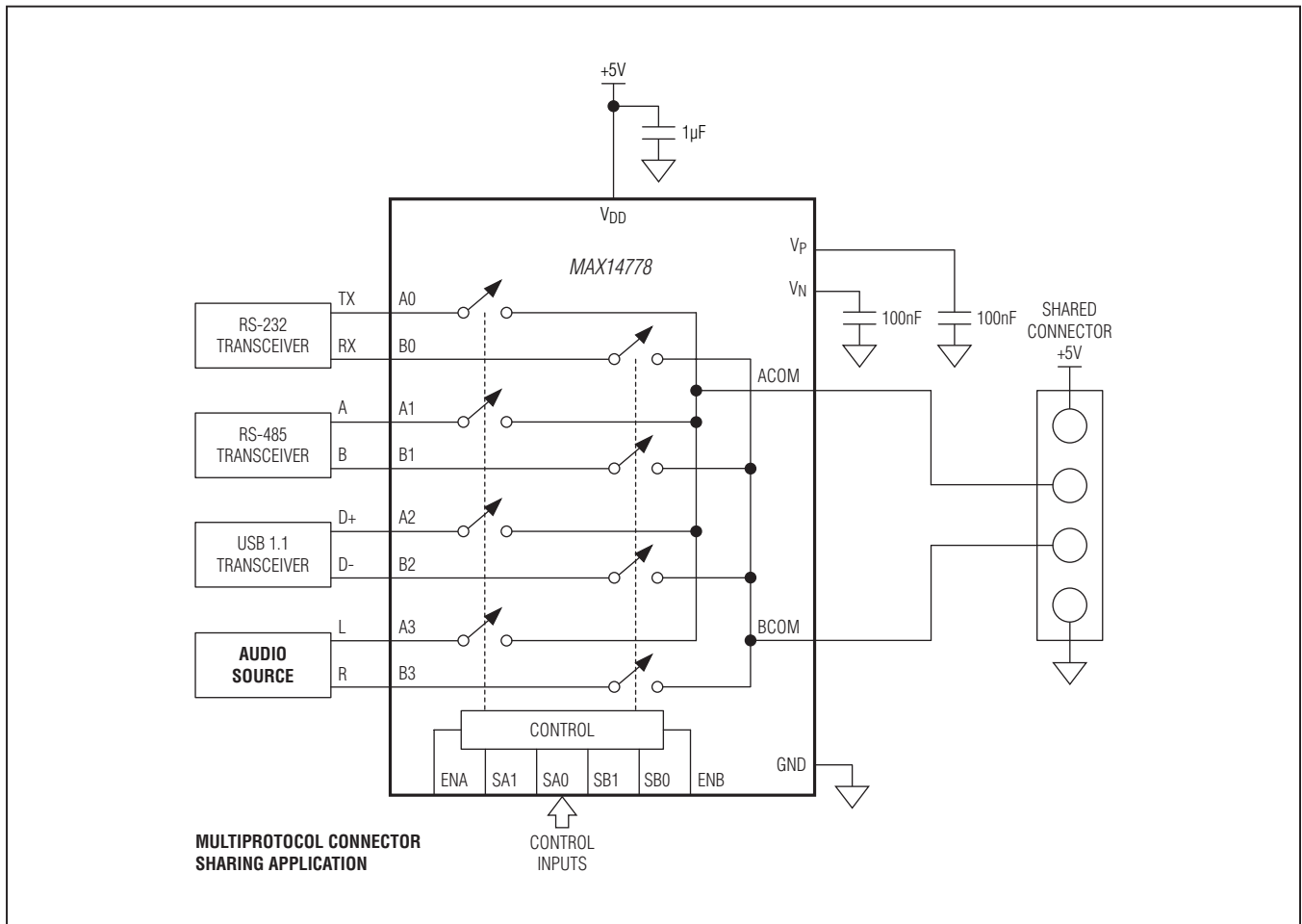


Figure 8. Human Body Current Waveform

MAX14778

Dual $\pm 25V$ Above- and Below-the-Rails 4:1 Analog Multiplexer

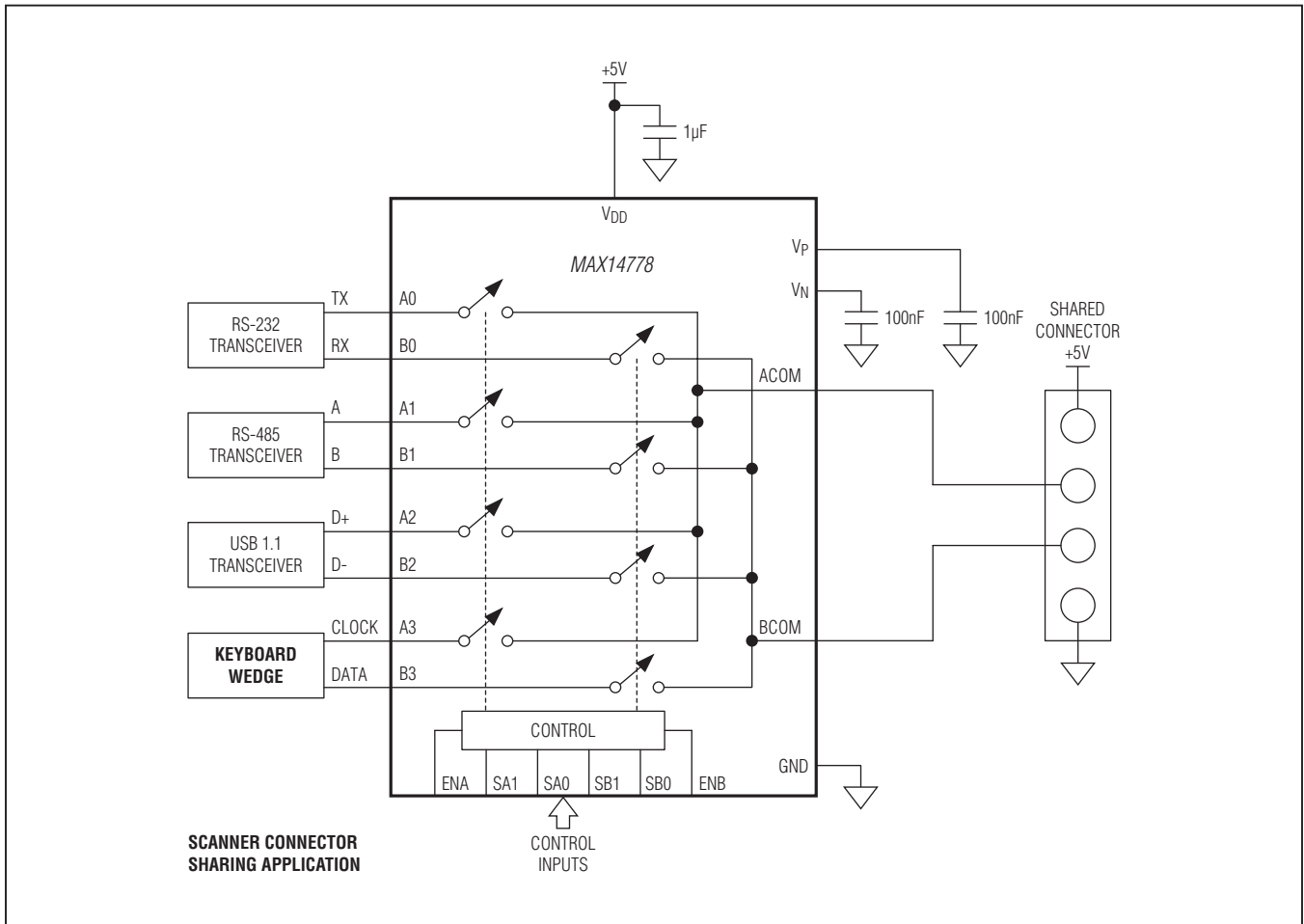
Typical Operating Circuits



MAX14778

Dual $\pm 25V$ Above- and Below-the-Rails 4:1 Analog Multiplexer

Typical Operating Circuits (continued)



MAX14778

Dual $\pm 25V$ Above- and Below-the-Rails 4:1 Analog Multiplexer

Ordering Information

PART	TEMP RANGE	PIN-PACKAGE
MAX14778ETP+	-40°C to +85°C	20 TQFN-EP*

+Denotes a lead(Pb)-free/RoHS-compliant package.

*EP = Exposed pad.

Chip Information

PROCESS: BiCMOS

Package Information

For the latest package outline information and land patterns (footprints), go to www.maximintegrated.com/packages. Note that a "+", "#", or "-" in the package code indicates RoHS status only. Package drawings may show a different suffix character, but the drawing pertains to the package regardless of RoHS status.

PACKAGE TYPE	PACKAGE CODE	OUTLINE NO.	LAND PATTERN NO.
20 TQFN-EP	T2055+4	21-0140	90-0009

MAX14778

Dual $\pm 25\text{V}$ Above- and Below-the-Rails 4:1 Analog Multiplexer

Revision History

REVISION NUMBER	REVISION DATE	DESCRIPTION	PAGES CHANGED
0	6/11	Initial release	—
1	6/12	Added new TOCs 14 and 15, updated <i>Non-Powered Condition</i> section, updated Note 4, <i>Pin Description</i> , <i>ESD Test Conditions</i> , <i>Typical Operating Circuits</i> , updated capacitor values	3, 8, 9, 10, 11, 12, 13



Maxim Integrated cannot assume responsibility for use of any circuitry other than circuitry entirely embodied in a Maxim Integrated product. No circuit patent licenses are implied. Maxim Integrated reserves the right to change the circuitry and specifications without notice at any time. The parametric values (min and max limits) shown in the Electrical Characteristics table are guaranteed. Other parametric values quoted in this data sheet are provided for guidance.

Maxim Integrated 160 Rio Robles, San Jose, CA 95134 USA 1-408-601-1000

15