

NOTES: UNLESS OTHERWISE SPECIFIED
 1. FOR GENERAL SERIES SPECIFICATIONS, SEE MIL-PRF-49142

2. MATERIAL SPECIFICATIONS:
 INSULATORS: TEFLON, ASTM-D4894
 K-GRIP SLEEVE: COM. BRONZE, ALLOY 220
 GASKET: SILICONE RUBBER, A-A-59588
 C-RING: PHOS. BRONZE, ASTM-B103
 INTERMEDIATE AND OUTER CONTACTS: BER. COPPER, ASTM-B-196
 ALL OTHER METAL PARTS: BRASS, ASTM-B16

3. FINISH SPECIFICATIONS:
 CONTACTS: .000050 MIN GOLD PER ASTM-B488, OVER .000050 MIN NICKEL PER SAE-AMS-QQ-N-290
 ALL OTHER METAL PARTS: .000050 MIN NICKEL PER SAE-AMS-QQ-N-290, OVER .000050 MIN COPPER PER ASTM B734

4. ELECTRICAL SPECIFICATIONS:
 WORKING VOLTAGE: 400 VRMS
 IMPEDANCE: NON-CONSTANT
 FREQUENCY RANGE: DC TO 500 MHZ

5. FERRULE, U-SHAPED INSULATOR AND CONTACT ASSEMBLY SHIPPED LOOSE

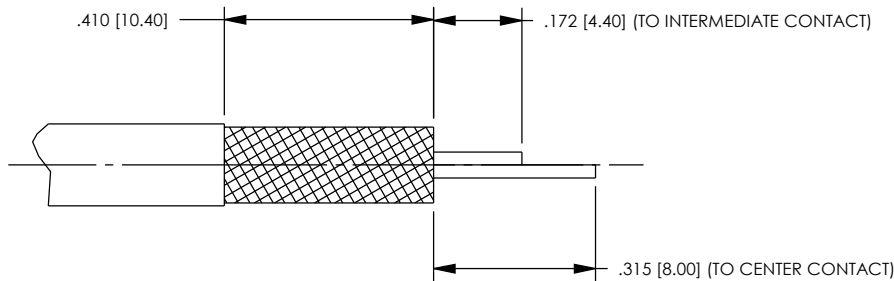
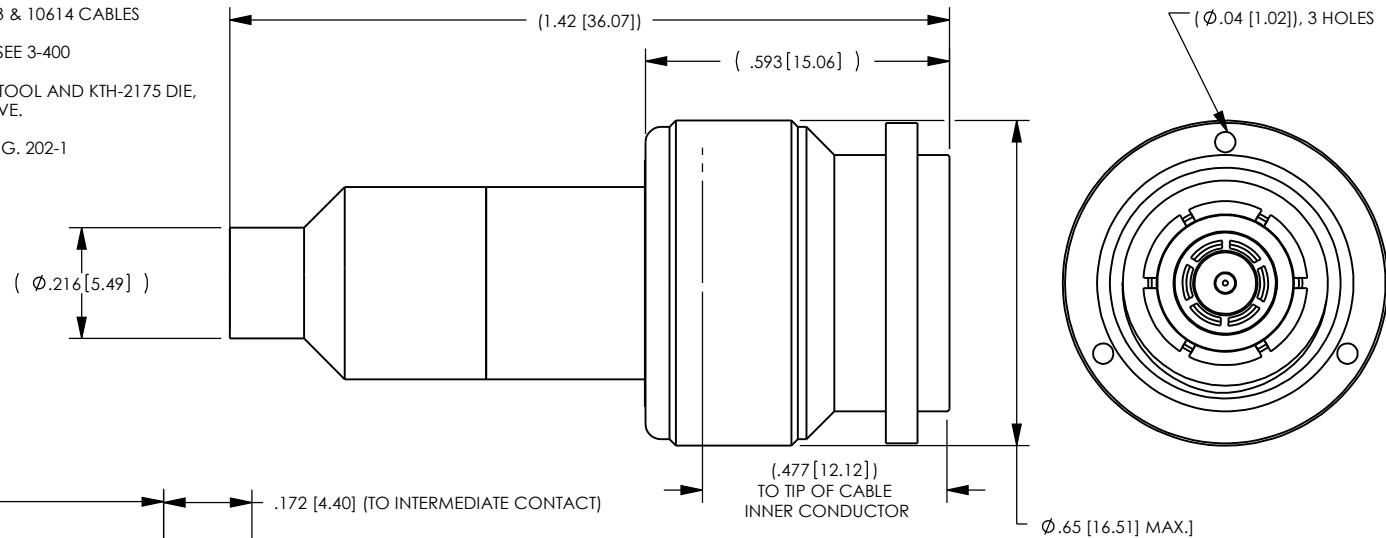
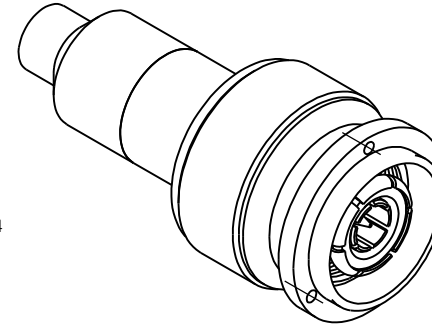
6. FOR USE WITH RAYCHEM 10613 & 10614 CABLES

7. FOR CABLING INSTRUCTIONS SEE 3-400

8. FOR CRIMPING USE KTH-1000 TOOL AND KTH-2175 DIE, (.34 HEX) FOR CRIMPING SLEEVE.

9. INTERFACE PER MIL-STD-348, FIG. 202-1

REV	DESCRIPTION	BY	APPD
A	RELEASED PER EWR08-ER7693	HVN 04/22/08	HVN



CABLE TRIM DIMENSIONS

CATALOG P/N: 1945-36-9

PER ASME Y14.5M-1994 UNLESS OTHERWISE SPECIFIED: DIMENSIONS ARE IN INCHES [MM] TOLERANCES: DECIMAL: .XX [X.X] ± .01 [0.3] .XXX [X.XX] ± .005 [0.13] .XXXX [X.XXX] ± .XXXX ANGLES: ± 2° SCALE: 2:1				 Winchester Electronics Corporation 62 Barnes Industrial Road North Wallingford, Connecticut 06492	
CUSTOMER DRAWING					
DRAWN HVN 04/22/08	DATE 04/22/08	APPROVED HVN 05/30/08	DATE 05/30/08	TRT, PLUG (MONOCRIMP) ROHS COMPLIANT	
APPROVED DC 05/30/08	DATE 05/30/08	APPROVED BM	DATE 05/30/08	A	SD1945-36-9 SHT 1 OF 1 REV A