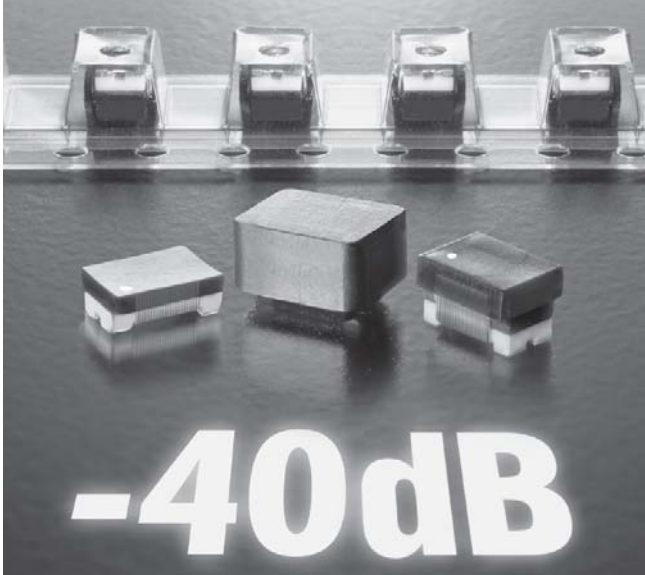




Common Mode EMI Filters - M2022 Series



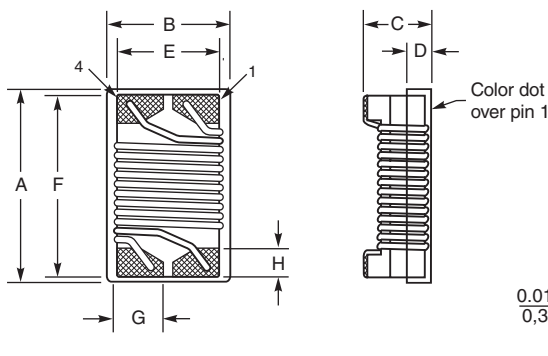
These common mode filters provide excellent noise attenuation in a compact, surface mount package. They're built in an 1812 size configuration that's ideal for auto insertion. In addition to the standard filter, a low profile (-ALP) and shielded (-AS) version are available.

Features include excellent isolation, environmental stability and low cost. Coilcraft can also supply custom filters with special combinations of impedance, response and current handling.

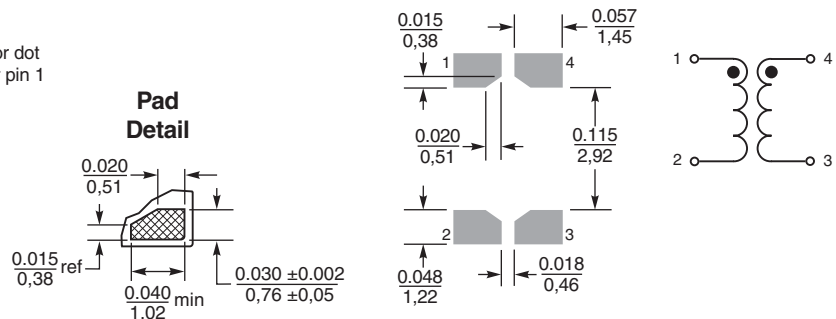
Part number	Inductance per winding ¹ ±10% (μH)	DCR max (mOhm)	Irms ² (mAmp)	Isolation (Vrms)
M2022-A	4.2	800	500	500
M2022-ALP	4.0	800	500	500
M2022-AS	11.5 min	850	500	500

1. Inductance measured at 10 MHz.
2. Average current for a 30°C temperature rise from 25°C ambient.
3. Operating temperature range -40°C to +85°C.
4. Electrical specifications at 25°C.

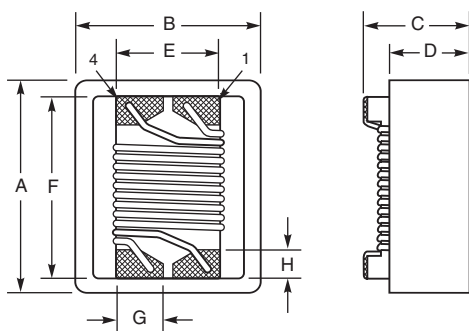
M2022-A, M2022-ALP



Recommended Land Pattern



M2022-AS



Dimensions

M2022-A

A max	B max	C max	D ref	E ref	F ref	G min	H
0.195	0.150	0.135	0.070	0.100	0.178	0.04	0.03
4,95	3,81	3,43	1,78	2,54	4,52	1,02	0,76

M2022-ALP

A max	B max	C max	D ref	E ref	F ref	G min	H
0.195	0.150	0.079	0.070	0.100	0.178	0.04	0.03
4,95	3,81	2,01	1,78	2,54	4,52	1,02	0,76

M2022-AS

A max	B max	C max	D ref	E ref	F ref	G min	H
0.231	0.196	0.150	0.107	0.100	0.178	0.04	0.03
5,87	4,98	3,81	2,72	2,54	4,52	1,02	0,76

Terminations: Nickel/gold over moly-manganese
Tape and reel: 600/7" reel; 2200/13" reel 12 mm tape width
 For packaging data see Tape and Reel Specifications section.

Coilcraft®

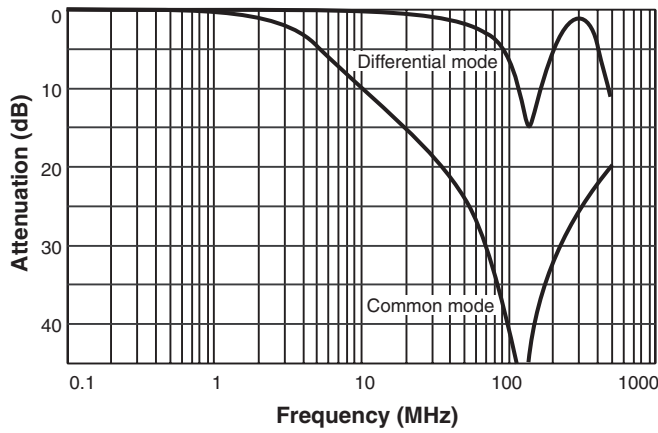
Specifications subject to change without notice.
 Please check our website for latest information. Document 151-1 Revised 12/15/04

1102 Silver Lake Road Cary, Illinois 60013 Phone 847/639-6400 Fax 847/639-1469
 E-mail info@coilcraft.com Web <http://www.coilcraft.com>

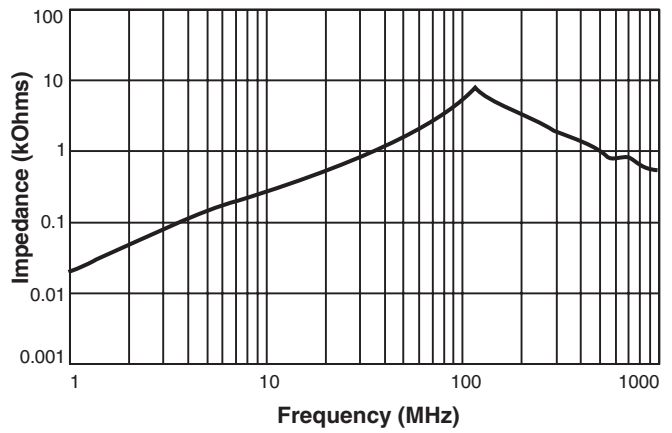


M2022-A, M2022-ALP

Typical Attenuation*

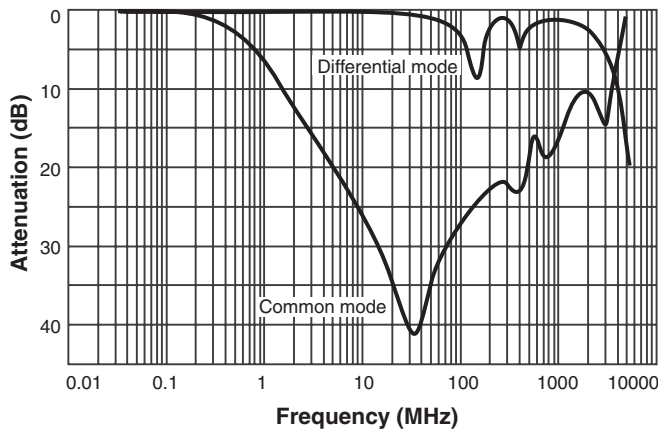


Typical Impedance vs Frequency

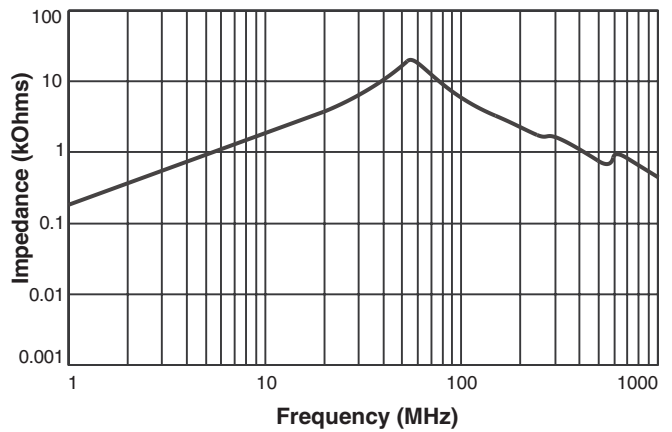


M2022-AS

Typical Attenuation*



Typical Impedance vs Frequency



*Measured on Agilent/HP 8753D network analyzer



Specifications subject to change without notice.
Please check our website for latest information. Document 151-2 Revised 11/04/03

1102 Silver Lake Road Cary, Illinois 60013 Phone 847/639-6400 Fax 847/639-1469

E-mail info@coilcraft.com Web <http://www.coilcraft.com>