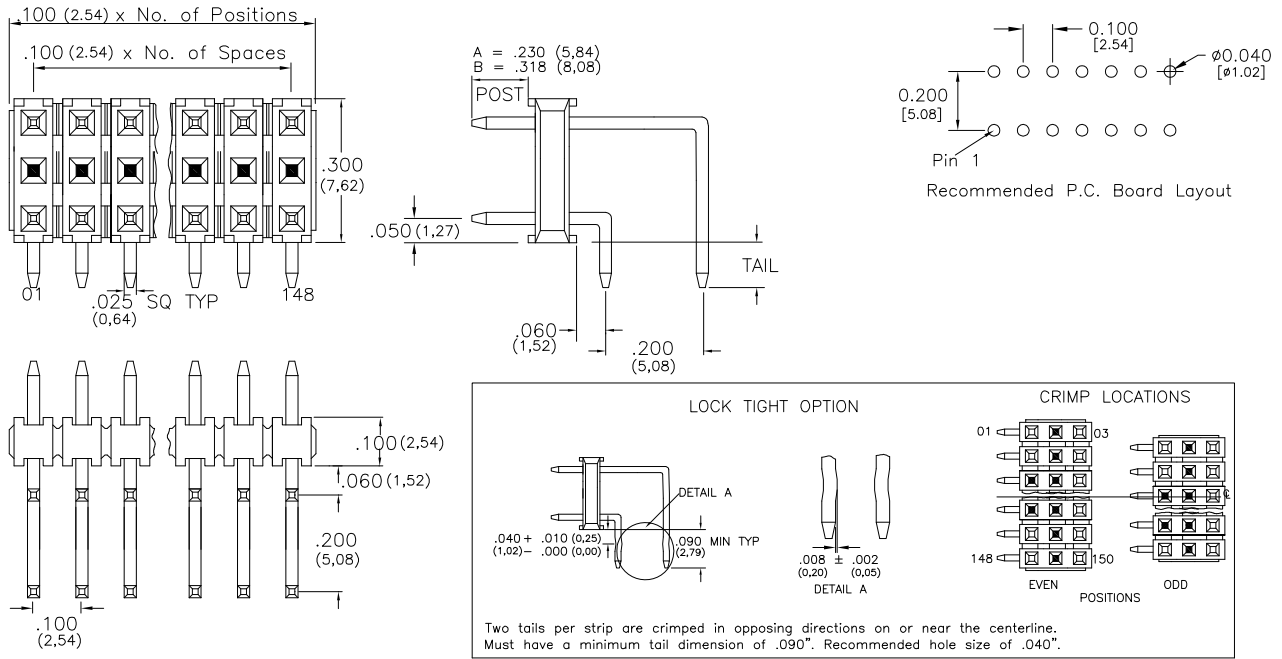


# Major League Electronics .100 cl Low Profile Terminal Strip Header - Right Angle



Tails may be clipped to achieve desired pin length

## Ordering Information

LTSHR-1 [XX] - J - [XX] - [XX] - [XX] - [XX] - [XX] - [XX] - LF

Pins Per Row: 01 - 50  
 Row Specification: J = Jump Middle Row  
 Lead Free  
 Every Other Pin Filled (.200 Centers)  
 Leave blank if not needed  
 E = Filled  
 Polarized Position  
 Leave blank if not needed  
 If required, specify empty pin position, e.g. 012 for Pin 12  
 Lock Tight "LT" (Optional)  
 Leave blank if not needed  
 LT = With

Tail With .218 Post		Pin Option		
	Tail With .318 Post			
.110	2.79mm	N/A	N/A	02
.210	5.33mm	.122	3.10mm	04
.310	7.87mm	.222	5.64mm	06
.410	10.42mm	.322	8.18mm	08
.510	12.95mm	.422	10.71mm	10
.610	15.49mm	.522	13.26mm	12
.710	18.03mm	.622	15.80mm	14

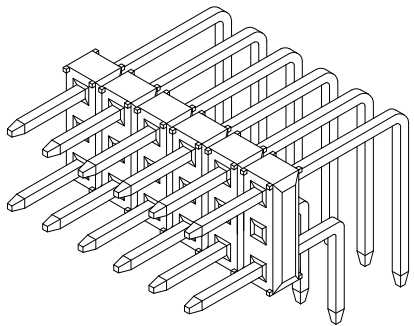
Desired Post Height  
 A = .230 (5.84)  
 B = .318 (8.08)

Plating Options	
G	- 10µ Gold on Contact area/Flash on Tail
T	- Matte Tin all Over
GT	- 10µ Gold on Contact Area / Matte Tin on Tail
H	- 30µ Gold on Contact Area / Matte Tin on Tail
F	- Gold Flash over Entire Pin

**Specifications**  
 Current Rating: 3.0 Ampere  
 Insulation Resistance: 1000MΩ Min.  
 Dielectric Withstanding: 600V AC  
 Contact Resistance: 20 mΩ Max.  
 Operating Temperature: -40°C to + 105°C  
 Max. Process Temperature:  
 Peak: 260°C up to 20 secs.  
 Process: 230°C up to 60 secs.  
 Wave: 260°C up to 6 secs.  
 Manual Solder: 350°C up to 5 secs.

**Materials**  
 Contact Material: Phosphor Bronze  
 Insulator Material: Nylon 6T  
 Plating: Au or Sn over 50µ" (1.27) Ni

- Mates with:
- BCSS,
  - BSSH,
  - BSSHC,
  - BSSQ,
  - BSSQC,
  - BSSQM,
  - LBCSS,
  - LSMBC,
  - LSWSS,
  - SMBC,
  - SSHQ,
  - SSHQR,
  - SSHR,
  - SSHS,
  - SSHSM



Products cut to specific sizes are uncancellable/nonreturnable      Parts are subject to change without notice

UNLESS OTHERWISE SPECIFIED DIMENSIONS IN INCHES (MM) TOLERANCES ARE:  ONE PLACE DECIMALS ±.100 TWO PLACE DECIMALS ±.010 THREE PLACE DECIMALS ±.005 FOUR PLACE DECIMALS ±.0020  ANGLES ±.5°	<b>LTSHR-1-J SERIES</b>	.100 cl Jump Middle Row - Right Angle Low Profile Terminal Strip Header	<b>17 JAN 07</b>	Scale NTS
			4235 Earnings Way, New Albany, Indiana, 47150, USA 1-800-782-3486 (USA/Canada/Mexico) Tel: 812-944-7244 Fax: 812-944-7268 E-mail: mle@mlelectronics.com Web: www.mlelectronics.com	Edition 1  Sheet 1/1