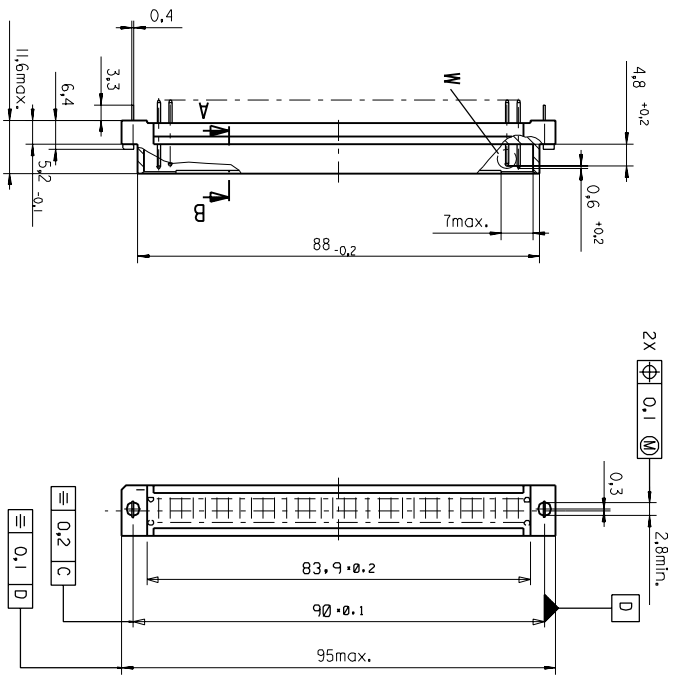
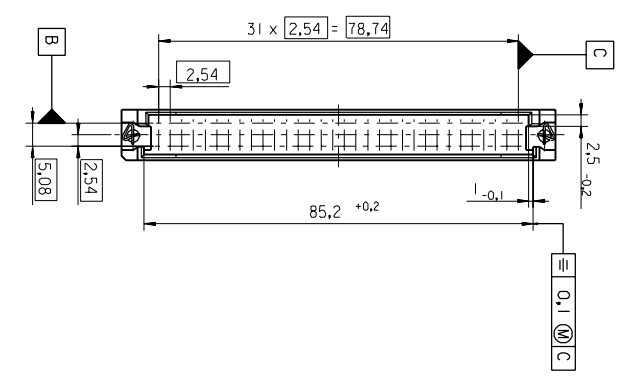
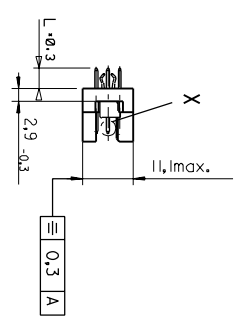
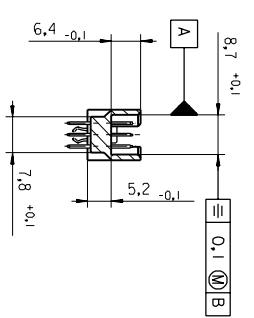
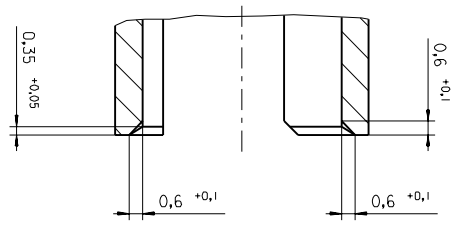
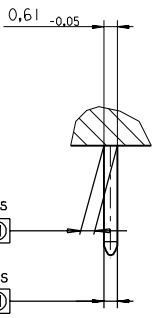


PART NO.
DWG. NO.

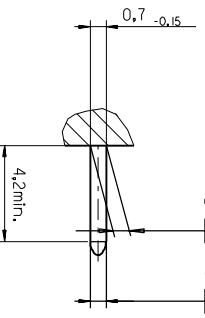
Section A - B
5:1



View X
5:1



View W
5:1



first release
see ECN No. 1887

REVISIONS	
LTR	DESCRIPTION
A	first release see ECN No. 1887

FIRST ANGLE PROJECTION

UNLESS OTHERWISE SPECIFIED TOLERANCES ANGULAR ± 2°	INCH	METRIC
3 PLACE ± .	±	±
2 PLACE ± .	±	±
1 PLACE ± .	±	±

DRAFT WHERE APPLICABLE MUST
REMAIN WITHIN DIMENSIONS

DESIGN DIMENSION	<input type="checkbox"/> IN.	<input checked="" type="checkbox"/> MM
EQUIVALENT DIMENSION	<input type="checkbox"/> IN.	<input checked="" type="checkbox"/> MM

PROJ.	CONV.	1:1
BY	CHK'D	SCALE
BY	KN	
BY	SPRO	

REVISION ONLY ON CAD SYSTEM	SH. REV.
GD&P PROJECT NAME 8501000 S11	TITLE 96 pos. Male connector acc. DIN 41612 Style R Dimensions
THIS DRAWING CONTAINS INFORMATION THAT IS PROPRIETARY TO MOLEX INC. & SHOULD NOT BE USED WITHOUT WRITTEN PERMISSION	MOLEX EUROPE
PART NO.	SHEET NO. DATE
SDA-85013-0001	1 OF 1 95/06/07
	SIZE
	B

7132-1283

10 9 8 7 6 5 4 3 2 1

