



3.5mm Female Bulkhead Connector Clamp/Solder Attachment For PE-SR402AL, PE-SR402FL, RG402

TECHNICAL DATA SHEET

PE4985

3.5mm Female Bulkhead Connector Clamp/Solder Attachment For PE-SR402AL, PE-SR402FL, RG402

Configuration

| | |
|--|-----------------------------|
| Connector | 3.5mm Female |
| Connector Interface Type | PE-SR402AL,PE-SR402FL,RG402 |
| Cable Attachment Method (Shield/Contact) | Clamp/Solder |
| Body Style | Straight |
| Mount Method | Bulkhead |

Electrical Specifications

| | |
|-----------------|----|
| Impedance, Ohms | 50 |
|-----------------|----|

Mechanical Specifications

Size

| | |
|---------------------|---------------|
| Length, in [mm] | 0.865 [21.97] |
| Width/Dia., in [mm] | 0.438 [11.13] |
| Weight, lbs [g] | 0.013 [5.9] |

Connector

| | |
|------------------------------|----------------------------|
| Type | 3.5mm Female |
| Contact Material and Plating | Gold |
| Body Material and Plating | Passivated Stainless Steel |
| Dielectric Type | PTFE |

Compliance Certifications (visit www.Pasternack.com for current document)

| | |
|----------------|-----|
| RoHS Compliant | Yes |
|----------------|-----|

Plotted and Other Data

| | |
|--------|----------------------------|
| Notes: | Values at 25 °C, sea level |
|--------|----------------------------|

3.5mm Female Bulkhead Connector Clamp/Solder Attachment For PE-SR402AL, PE-SR402FL, RG402 from Pasternack Enterprises has same day shipment for domestic and International orders. Our RF, microwave and fiber optic products maintain a 99% availability and are part of the broadest selection in the industry.

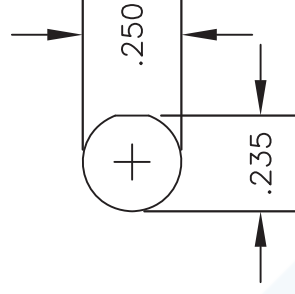
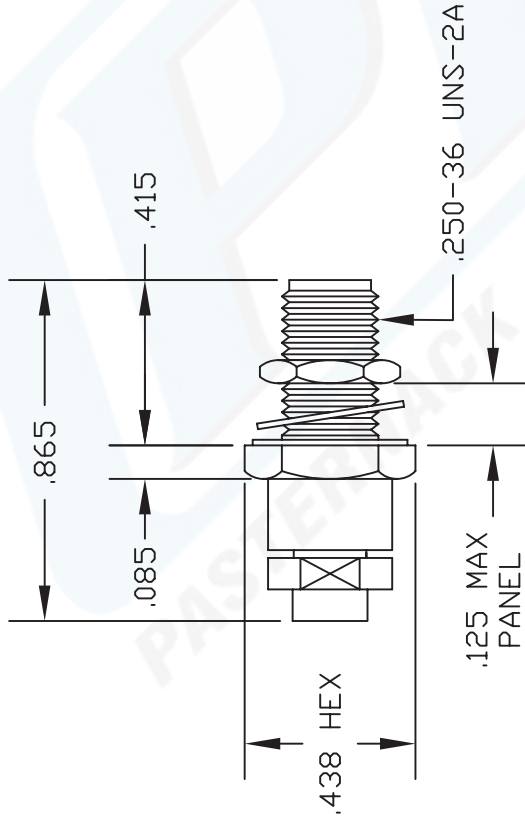
Click the following link (or enter part number in "SEARCH" on website) to obtain additional part information including price, inventory and certifications: [3.5mm Female Bulkhead Connector Clamp/Solder Attachment For PE-SR402AL, PE-SR402FL, RG402 PE4985](http://www.pasternack.com/3.5mm-female-standard-pe-sr402al-pe-sr402fl-rg402-connector-pe4985-p.aspx)

URL: <http://www.pasternack.com/3.5mm-female-standard-pe-sr402al-pe-sr402fl-rg402-connector-pe4985-p.aspx>

The information contained in this document is accurate to the best of our knowledge and representative of the part described herein. It may be necessary to make modifications to the part and/or the documentation of the part, in order to implement improvements. Pasternack reserves the right to make such changes as required. Unless otherwise stated, all specifications are nominal.

MATERIALS

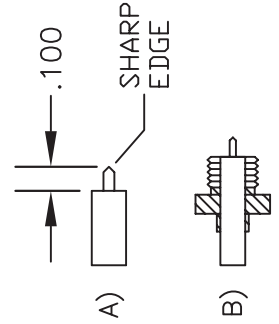
| | |
|-----------|-----------------------------|
| BODY | PASSIVATED STAINLESS STEEL |
| CONTACT | GOLD PLATED |
| INSULATOR | PTFE |
| CLAMP NUT | STAINLESS STEEL GOLD PLATED |



MOUNTING HOLE

ASSEMBLY PROCEDURES

1. STRIP CABLE AS SHOWN IN (A).
DO NOT NICK CENTER CONDUCTOR.
2. INSERT CABLE THROUGH CLAMP NUT AS SHOWN IN (B). SOLDER OUTER CONDUCTOR TO CLAMP NUT.
3. SCREW ASSEMBLY INTO BODY & TIGHTEN.



PASTERNAK ENTERPRISES, INC.
 P.O. BOX 16759, IRVINE, CA 92623
 PHONE (949) 261-1920 FAX (949) 261-7451
 WEB ADDRESS: www.pasternack.com
 E-MAIL ADDRESS: sales@pasternack.com
COAXIAL & FIBER OPTICS

| | | | |
|---------------|---|-----------------|-----------|
| DWG TITLE | DES. 3.5mm FEMALE, BULKHEAD, SOLDER/CLAMP ATTACHMENT FOR RG402, PE-SR402AL & PE-SR402FL | | |
| PE4985 | | | |
| SIZE A | FSCM NO. 53919 | CAD FILE 061702 | SCALE N/A |
| | | | 127 |

NOTES:

1. UNLESS OTHERWISE SPECIFIED ALL DIMENSIONS ARE NOMINAL.
2. ALL SPECIFICATIONS ARE SUBJECT TO CHANGE WITHOUT NOTICE AT ANY TIME.