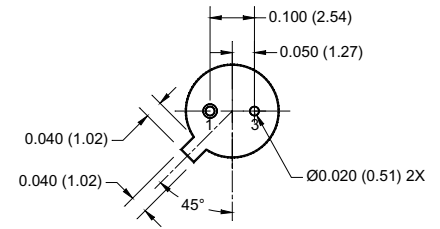
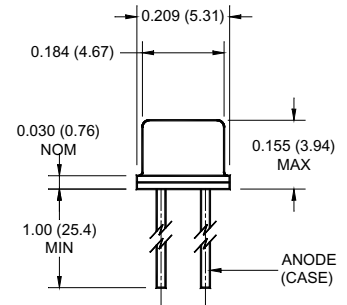
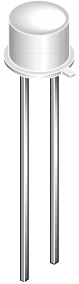


Hermetic Light Emitting Diodes

TO-46 Diode Package (Flat Lens)



Part Number	P_O @ 100 mA I_F (mW)		V_F @ 100 mA I_F (V)	I_R @ 3 V V_R (μ A)	Emission Angle in Degrees ($^\circ$) @ 1/2 Power	Wavelength (nm) λ_p
	min	max	max	max		
1N6265	6.00	-	1.7	10	80	940
CQX15	5.40	-	1.7	10	80	940
CQX17	1.50	-	1.7	10	80	940
LED55BF	3.50	-	1.7	10	80	940
LED55CF	5.40	-	1.7	10	80	940
LED56F	1.50	-	1.7	10	80	940
F5E1	12.00	-	1.8	10	80	880
F5E2	9.00	-	1.8	10	80	880
F5E3	10.50	-	1.8	10	80	880

All dimensions are in inches (millimeters)

Absolute Maximum Ratings

PARAMETER 1N, CQX, LED, F5

Temperature

T_{OPR}	-65 to +125 $^\circ$ C
T_{STG}	-65 to +150 $^\circ$ C
T_{SOL-L}	240 $^\circ$ C for 5 sec
T_{SOL-F}	260 $^\circ$ C for 10 sec

LED

I_F	100 mA
I_R	3.0 V
P_D	170 mW