

Am27LS06/27LS07

64-Bit Low-Power Noninverting-Output Bipolar RAM

Am27LS06/27LS07

3

DISTINCTIVE CHARACTERISTICS

- Fully decoded 16-word x 4-bit low power Schottky RAMs
- Internal ECL circuitry for optimum speed/power performance over voltage and temperature
- Output preconditioned during write to eliminate the write recovery glitch
- Available with three-state outputs (Am27LS07) or with open collector outputs (Am27LS06)
- Electrically tested and optically inspected die for the assemblers of hybrid products

GENERAL DESCRIPTION

The Am27LS06 and Am27LS07 are 64-bit RAMs built using Schottky diode clamped transistors in conjunction with internal ECL circuitry and are ideal for use in scratch pad and high-speed buffer memory applications. Each memory is organized as a fully decoded 16-word memory of 4 bits per word. Easy memory expansion is provided by an active LOW chip select (\overline{CS}) input and open collector OR tieable outputs or three-state outputs.

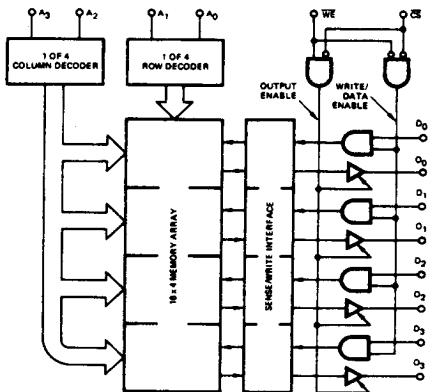
An active LOW Write line (\overline{WE}) controls the writing/reading operation of the memory. When the chip select and write lines are LOW the information on the four data inputs D_0 to

D_3 is written into the addressed memory word and preconditions the output circuitry so that correct data is present at the outputs when the write cycle is complete. This preconditioning operation insures minimum write recovery times by eliminating the "write recovery glitch."

Reading is performed with the chip select line LOW and the write line HIGH. The information stored in the addressed word is read out on the four noninverting outputs O_0 to O_3 .

During the writing operation or when the chip select line is HIGH the four outputs of the memory go to an inactive high impedance state.

BLOCK DIAGRAM



BD000560

MODE SELECT TABLE

Input		Data Output Status O_{0-3}	Mode
\overline{CS}	\overline{WE}		
L	L	Output Disabled	Write
L	H	Selected Word	Read
H	X	Output Disabled	Deselect

H = HIGH
L = LOW
X = Don't Care

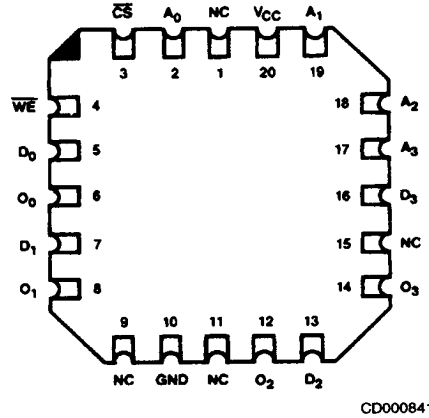
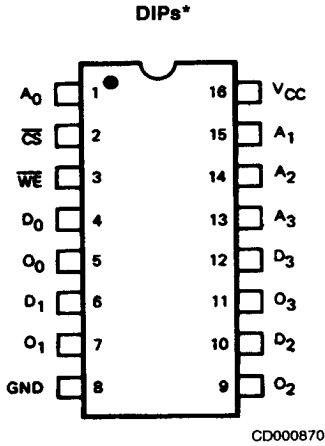
PRODUCT SELECTOR GUIDE

Access Time	55 ns	65 ns
I_{CC}	35 mA	38 mA
Temperature Range	C	M
Open Collector	27LS06	
Three-State	27LS07	

3-93

Publication # 08064 Rev. A Amendment /0
Issue Date: May 1986

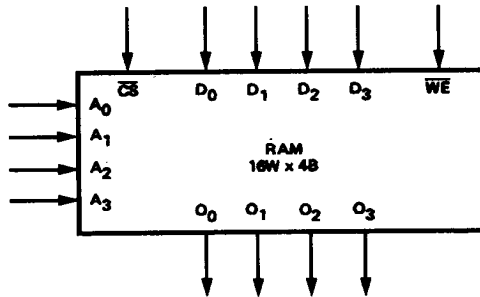
CONNECTION DIAGRAM Top View



*Also available in 16-Pin Flatpack. Connections identical to DIPs.

Note: Pin 1 is marked for orientation.

LOGIC SYMBOL



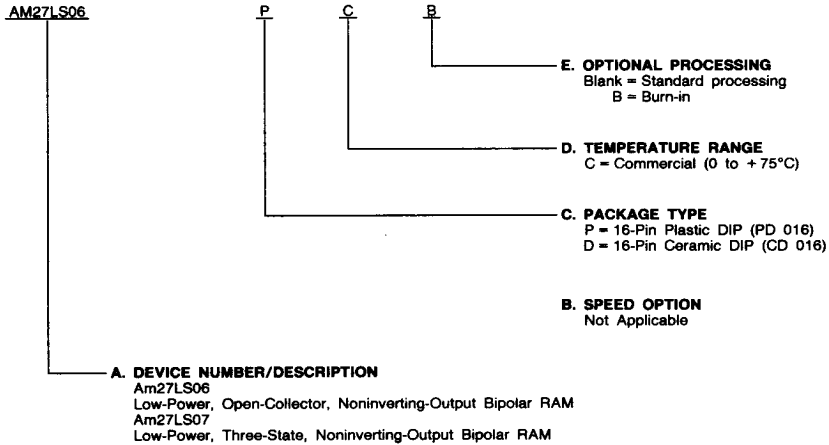
LS000311

ORDERING INFORMATION (Cont'd.)

Standard Products

AMD standard products are available in several packages and operating ranges. The order number (Valid Combination) is formed by a combination of:

- A. Device Number**
- B. Speed Option** (if applicable)
- C. Package Type**
- D. Temperature Range**
- E. Optional Processing**



Valid Combinations	
AM27LS06	PC, PCB,
AM27LS07	DC, DCB

Valid Combinations

Valid Combinations list configurations planned to be supported in volume for this device. Consult the local AMD sales office to confirm availability of specific valid combinations, to check on newly released combinations, and to obtain additional data on AMD's standard military grade products.

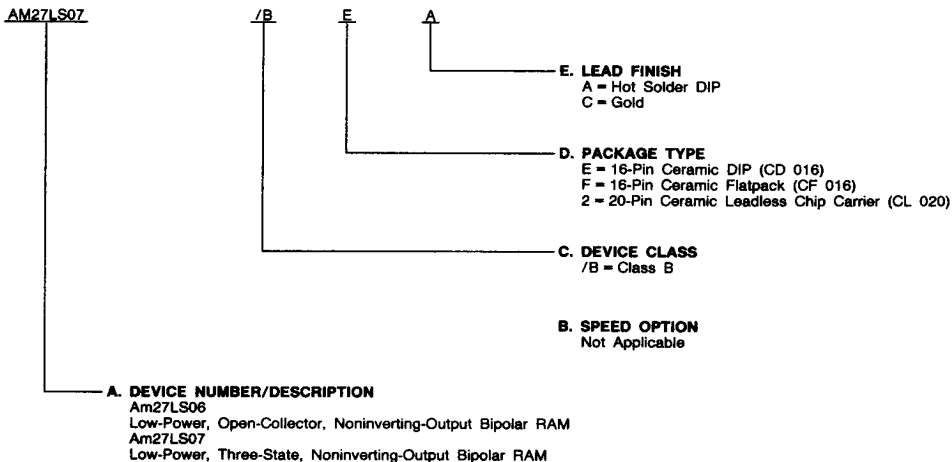
3

ORDERING INFORMATION

APL Products

AMD products for Aerospace and Defense applications are available in several packages and operating ranges. APL (Approved Products List) products are fully compliant with MIL-STD-883C requirements. CPL (Controlled Products List) products are processed in accordance with MIL-STD-883C, but are inherently non-compliant because of package, solderability, or surface treatment exceptions to those specifications. The order number (Valid Combination) for APL products is formed by a combination of:

- A. Device Number**
- B. Speed Option** (if applicable)
- C. Device Class**
- D. Package Type**
- E. Lead Finish**



Valid Combinations

Valid Combinations	
AM27LS06	/BEA, /BFA,
AM27LS07	/B2C

Valid Combinations list configurations planned to be supported in volume for this device. Consult the local AMD sales office to confirm availability of specific valid combinations or to check for newly released valid combinations.

ABSOLUTE MAXIMUM RATINGS

Storage Temperature	-65 to +150°C
Ambient Temperature with Power Applied	-55 to +125°C
Supply Voltage	-0.5 V to +7.0 V
DC Voltage Applied to Outputs	-0.5 V to +V _{CC} Max.
DC Input Voltage	-0.5 V to +5.5 V
Output Current into Outputs20 mA
DC Input Current	-30 mA to +5 mA

Stresses above those listed under ABSOLUTE MAXIMUM RATINGS may cause permanent device failure. Functionality at or above these limits is not implied. Exposure to absolute maximum ratings for extended periods may affect device reliability.

OPERATING RANGES

Commercial (C) Devices	
Temperature	0 to +75°C
Supply Voltage	+4.75 V to +5.25 V
Military (M) Devices	
Temperature	-55 to +125°C
Supply Voltage	+4.5 V to +5.5 V

Operating ranges define those limits between which the functionality of the device is guaranteed.

See Note 5

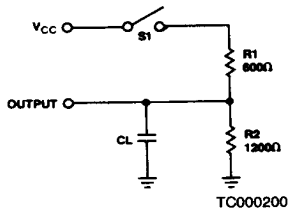
DC CHARACTERISTICS over operating range unless otherwise specified*

Parameter Symbol	Parameter Description	Test Conditions			Am27LS06/Am27LS07			Units
					Min.	Typ.	Max.	
V _{OH} (Note 2)	Output HIGH Voltage	V _{CC} = Min., V _{IN} = V _{IH} or V _{IL}	I _{OH} = -5.2 mA	COM'L	2.4	3.2		Volts
			I _{OH} = -2.0 mA	MIL				
V _{OL}	Output LOW Voltage	V _{CC} = Min., V _{IN} = V _{IH} or V _{IL}	I _{OL} = 8 mA			350	450	mV
			I _{OL} = 10 mA			380	500	
V _{IH}	Input HIGH Level	Guaranteed Input Logical HIGH Voltage for All Inputs (Note 3)		COM'L	2.0			Volts
				MIL	2.1			
V _{IL}	Input LOW Level	Guaranteed Input Logical LOW Voltage for All Inputs (Note 3)		COM'L			0.8	Volts
				MIL			0.8	
I _{IL}	Input LOW Current	V _{CC} = Max., V _{IN} = 0.40 V	WE, D ₀ -D ₃ , A ₀ -A ₃			-15	-250	μA
			CS			-30	-250	
I _{IH}	Input HIGH Current	V _{CC} = Max., V _{IN} = 2.7 V				0	10	μA
I _{SC} (Note 2)	Output Short Circuit Current	V _{CC} = Max., V _{OUT} = 0.0 V (Note 4)			-20	-45	-90	mA
I _{CC}	Power Supply Current	All inputs = GND V _{CC} = Max.		COM'L		30	35	
				MIL		30	38	
V _{CL}	Input Clamp Voltage	V _{CC} = Min., I _{IN} = -18 mA				-0.85	-1.2	Volts
I _{CEX}	Output Leakage Current	V _{CS} = V _{IH} or V _{WE} = V _{IL} V _{OUT} = 2.4 V, V _{CC} = Max.				0	40	μA
		V _{CS} = V _{IH} or V _{WE} = V _{IL} V _{OUT} = 0.4 V, V _{CC} = Max.	(Note 2)	-40	0			

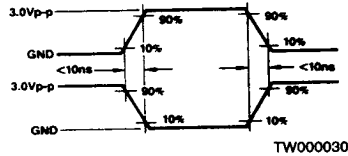
- Notes: 1. Typical limits are at V_{CC} = 5.0 V and T_A = 25°C.
 2. This applies to three-state devices only.
 3. These are absolute voltages with respect to device ground pin and include all overshoots due to system and/or tester noise. Do not attempt to test these values without suitable equipment.
 4. Not more than one output should be shorted at a time. Duration of the short circuit should not be more than one second.
 5. Operating specification with adequate time for temperature stabilization and transverse air flow exceeding 400 linear feet per minute. Conformance testing performed instantaneously where T_A = T_C = T_J.
 θ_{JA} ≈ 50°C/W (with moving air) for Ceramic DIP.
 θ_{JC} ≈ 10 - 17°C/W for flatpack and leadless chip carrier.

*See the last page of this spec for Group A Subgroup Testing information.

**SWITCHING TEST
CIRCUIT**



**SWITCHING TEST
WAVEFORM**



**KEY TO SWITCHING
WAVEFORMS**

WAVEFORM	INPUTS	OUTPUTS
	MUST BE STEADY	WILL BE STEADY
	MAY CHANGE FROM H TO L	WILL BE CHANGING FROM H TO L
	MAY CHANGE FROM L TO H	WILL BE CHANGING FROM L TO H
	DON'T CARE; ANY CHANGE PERMITTED	CHANGING; STATE UNKNOWN
	DOES NOT APPLY	CENTER LINE IS HIGH IMPEDANCE "OFF" STATE

KS000010

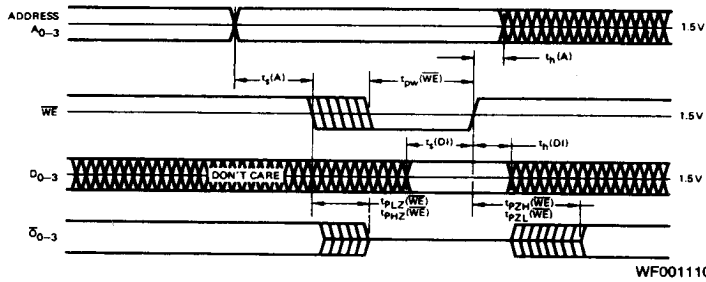
SWITCHING CHARACTERISTICS over operating range unless otherwise specified*

No.	Parameter Symbol	Parameter Description	Am27LS06/Am27LS07				Units
			C Devices		M Devices		
			Min.	Max.	Min.	Max.	
1	$t_{PLH}(A)$	Delay from Address to Output		55		65	ns
2	$t_{PHL}(A)$						
3	$t_{pZH}(\overline{CS})$	Delay from Chip Select (LOW) to Active Output and Correct Data		30		35	ns
4	$t_{pZL}(\overline{CS})$						
5	$t_{pZH}(\overline{WE})$	Delay from Write Enable (HIGH) to Active Output and Correct Data (Write Recovery-See Note 1)		30		35	ns
6	$t_{pZL}(\overline{WE})$						
7	$t_s(A)$	Setup Time Address (Prior to Initiation of Write)	0		0		ns
8	$t_h(A)$	Hold Time Address (After Termination of Write)	0		0		ns
9	$t_s(DI)$	Setup Time Data Input (Prior to Termination of Write)	45		55		ns
10	$t_h(DI)$	Hold Time Data Input (After Termination of Write)	0		0		ns
11	$t_{pw}(\overline{WE})$	Min Write Enable Pulse Width to Insure Write	45		55		ns
12	$t_{PHZ}(\overline{CS})$	Delay from Chip Select (HIGH) to Inactive Output (HI-Z)		30		35	ns
13	$t_{PLZ}(\overline{CS})$						
14	$t_{PLZ}(\overline{WE})$	Delay from Write Enable (LOW) to Inactive Output (HI-Z)		30		35	ns
15	$t_{PHZ}(\overline{WE})$						

- Notes: 1. Output is preconditioned to data in during write to insure correct data is present on all outputs when write is terminated. (No write recovery glitch.)
 2. $t_{PLH}(A)$ and $t_{PHL}(A)$ are tested with S_1 closed and $C_L = 30$ pF with both input and output timing referenced to 1.5 V.
 3. For open collector, all delays from Write Enable (\overline{WE}) or Chip Select (\overline{CS}) inputs to the Data Output (D_{OUT}), $t_{pLZ}(\overline{WE})$, $t_{pLZ}(\overline{CS})$, $t_{pZL}(\overline{WE})$ and $t_{pZL}(\overline{CS})$ are measured with S_1 closed and $C_L = 30$ pF and with both the input and output timing referenced to 1.5 V.
 4. For 3-state output, $t_{pZH}(\overline{WE})$ and $t_{pZH}(\overline{CS})$ are measured with S_1 open, $C_L = 30$ pF and with both the input and output timing referenced to 1.5 V. $t_{pZL}(\overline{WE})$ and $t_{pZL}(\overline{CS})$ are measured with S_1 closed, $C_L = 30$ pF and with both the input and output timing referenced to 1.5 V. $t_{PHZ}(\overline{WE})$ and $t_{PHZ}(\overline{CS})$ are measured with S_1 open and $C_L \leq 5$ pF and are measured between the 1.5 V level on the input to the $V_{OH} - 500$ mV level on the output. $t_{pLZ}(\overline{WE})$ and $t_{pLZ}(\overline{CS})$ are measured with S_1 closed and $C_L \leq 5$ pF and are measured between the 1.5 V level on the input and the $V_{OL} + 500$ mV level on the output.

*See the last page of this spec for Group A Subgroup Testing information.

SWITCHING WAVEFORMS

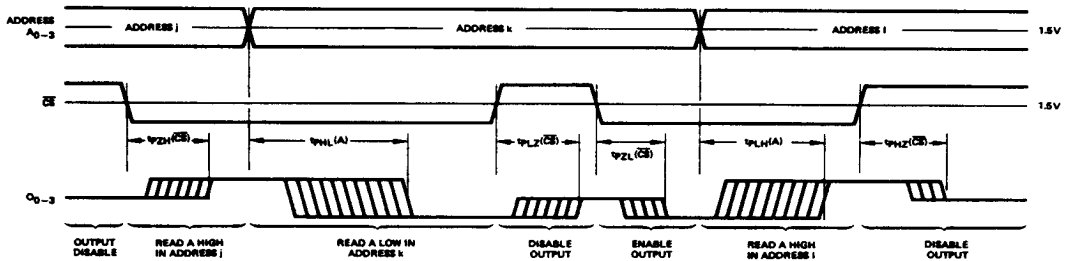


WF001110

Write Mode

(\overline{CS} = LOW unless otherwise noted)

Write Cycle Timing. The cycle is initiated by an address change. After $t_s(A)$ min, the write enable may begin. The chip select must also be LOW for writing. Following the write pulse, $t_h(A)$ min must be allowed before the address may be changed again. The output will be inactive (floating for the Am27LS07) while the write enable is LOW.



WF001210

Read Mode

Switching delays from address and chip select inputs to the data output. For the Am27LS07, disabled output is "OFF", represented by a single center line. For the Am27LS06, disabled output is HIGH.

GROUP A SUBGROUP TESTING

DC CHARACTERISTICS

Parameter Symbol	Subgroups
V _{OH}	1, 2, 3
V _{OL}	1, 2, 3
V _{IH}	1, 2, 3
V _{IL}	1, 2, 3
I _{IL}	1, 2, 3
I _{IH}	1, 2, 3
I _{SC}	1, 2, 3
I _{CC}	1, 2, 3
V _{CL}	1, 2, 3
I _{CEX}	1, 2, 3

SWITCHING CHARACTERISTICS

No.	Parameter Symbol	Subgroups	No.	Parameter Symbol	Subgroups
1	t _{PLH(A)}	9, 10, 11	9	t _{s(DI)}	9, 10, 11
2	t _{PHL(A)}				
3	t _{PZH(CS)}	9, 10, 11	10	t _{h(DI)}	9, 10, 11
4	t _{PZL(CS)}				
5	t _{PZH(WE)}	9, 10, 11	11	t _{pw(WE)}	9, 10, 11
6	t _{PZL(WE)}				
7	t _{s(A)}	9, 10, 11	12	t _{PHZ(CS)}	9, 10, 11
			13	t _{PLZ(CS)}	
8	t _{h(A)}	9, 10, 11	14	t _{PLZ(WE)}	9, 10, 11
			15	t _{PHZ(WE)}	

MILITARY BURN-IN

Military burn-in is in accordance with the current revision of MIL-STD-883, Test Method 1015, Conditions A through E. Test conditions are selected at AMD's option.