



2.92mm Female Threaded Connector Field Replaceable Attachment 0.012 inch Pin

TECHNICAL DATA SHEET

PE44231

2.92mm Female Threaded Connector Field Replaceable Attachment 0.012 inch Pin

Configuration

Connector	2.92mm Female
Connector Interface Type	0.012 inch Pin
Cable Attachment Method (Shield/Contact)	Field Replaceable
Body Style	Straight
Mount Method	Threaded

Electrical Specifications

Impedance, Ohms	50
-----------------	----

Mechanical Specifications

Size

Length, in [mm]	0.409 [10.39]
Width/Dia., in [mm]	0.25 [6.35]
Weight, lbs [g]	0.005 [2.27]

Connector

Type	2.92mm Female
Contact Material and Plating	Gold
Body Material and Plating	Passivated Stainless Steel
Dielectric Type	PPO

Compliance Certifications (visit www.Pasternack.com for current document)

RoHS Compliant	Yes
----------------	-----

Plotted and Other Data

Notes:	Values at 25 °C, sea level
--------	----------------------------

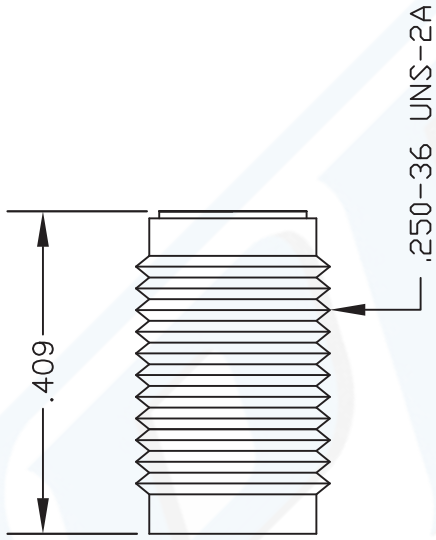
2.92mm Female Threaded Connector Field Replaceable Attachment 0.012 inch Pin from Pasternack Enterprises has same day shipment for domestic and International orders. Our RF, microwave and fiber optic products maintain a 99% availability and are part of the broadest selection in the industry.

Click the following link (or enter part number in "SEARCH" on website) to obtain additional part information including price, inventory and certifications: [2.92mm Female Threaded Connector Field Replaceable Attachment 0.012 inch Pin PE44231](http://www.pasternack.com/2.92mm-female-standard-0.012-pin-connector-pe44231-p.aspx)

URL: <http://www.pasternack.com/2.92mm-female-standard-0.012-pin-connector-pe44231-p.aspx>

The information contained in this document is accurate to the best of our knowledge and representative of the part described herein. It may be necessary to make modifications to the part and/or the documentation of the part, in order to implement improvements. Pasternack reserves the right to make such changes as required. Unless otherwise stated, all specifications are nominal.

MATERIALS	
BODY	PASSIVATED STAINLESS STEEL
CONTACT	GOLD PLATED
SUPPORT BEAD	AIR-POLYPHENYLENE OXIDE COMPOSITE



PASTERNAK ENTERPRISES, INC.
 P O BOX 16759, IRVINE, CA 92623
 PHONE (949) 261-1920 FAX (949) 261-7451
 WEB ADDRESS: www.pasternack.com
 E-MAIL ADDRESS: sales@pasternack.com
COAXIAL & FIBER OPTICS

DWG TITLE	DES. 2.9mm FEMALE, SPARKPLUG ACCEPTS .012" DIA CONTACT		
PE44231	CAD FILE	070202	SCALE N/A
SIZE A	FSCM NO. 53919		127

NOTES:

1. UNLESS OTHERWISE SPECIFIED ALL DIMENSIONS ARE NOMINAL.
2. ALL SPECIFICATIONS ARE SUBJECT TO CHANGE WITHOUT NOTICE AT ANY TIME.