



SMA Male Connector Solder Attachment 0.042 inch
 End Launch PCB, .020 inch x .010 inch Contact

TECHNICAL DATA SHEET

PE44210

SMA Male Connector Solder Attachment 0.042 inch End Launch PCB, .020 inch x .010 inch Contact

Configuration

| | |
|--|-----------------------|
| Connector | SMA Male |
| Connector Specification | MIL-C-39012 |
| Connector Interface Type | 0.042 inch End Launch |
| Cable Attachment Method (Shield/Contact) | Solder |
| Body Style | Straight |

Electrical Specifications

| | |
|-----------------|----|
| Impedance, Ohms | 50 |
|-----------------|----|

Mechanical Specifications

Temperature

| | |
|------------------------|-------------|
| Operating Range, deg C | -65 to +165 |
|------------------------|-------------|

Size

| | |
|---------------------|---------------|
| Length, in [mm] | 0.687 [17.45] |
| Width/Dia., in [mm] | 0.375 [9.53] |
| Height, in [mm] | 0.312 [7.92] |
| Weight, lbs [g] | 0.009 [4.08] |

Connector

| | |
|------------------------------------|-------------|
| Type | SMA Male |
| Contact Material and Plating | Gold |
| Contact Plating Specification | MIL-G-45204 |
| Coupling Nut Material and Plating | Brass, Gold |
| Coupling Nut Plating Specification | MIL-G-45204 |
| Hex Size, in. | 5/16 |
| Torque, in-lbs [Nm] | 5 [0.57] |
| Body Material and Plating | Brass, Gold |
| Body Plating Specification | MIL-G-45204 |
| Dielectric Type | Teflon |

Compliance Certifications (visit www.Pasternack.com for current document)

| | |
|----------------|-----|
| RoHS Compliant | Yes |
|----------------|-----|

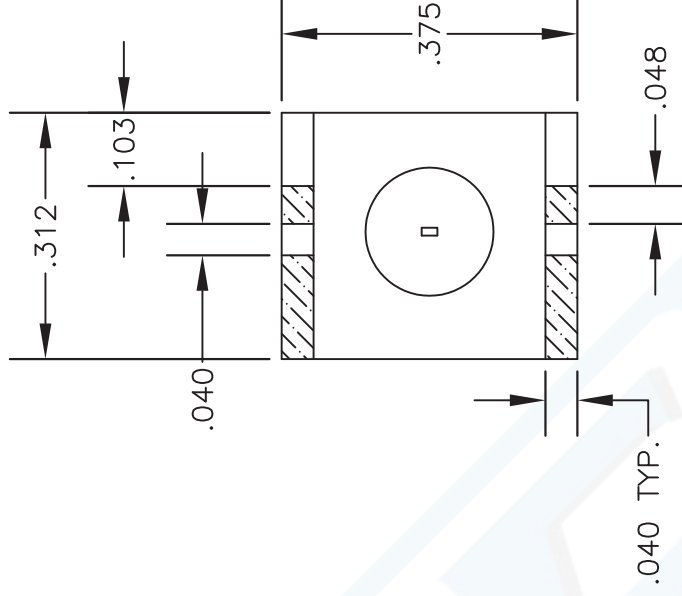
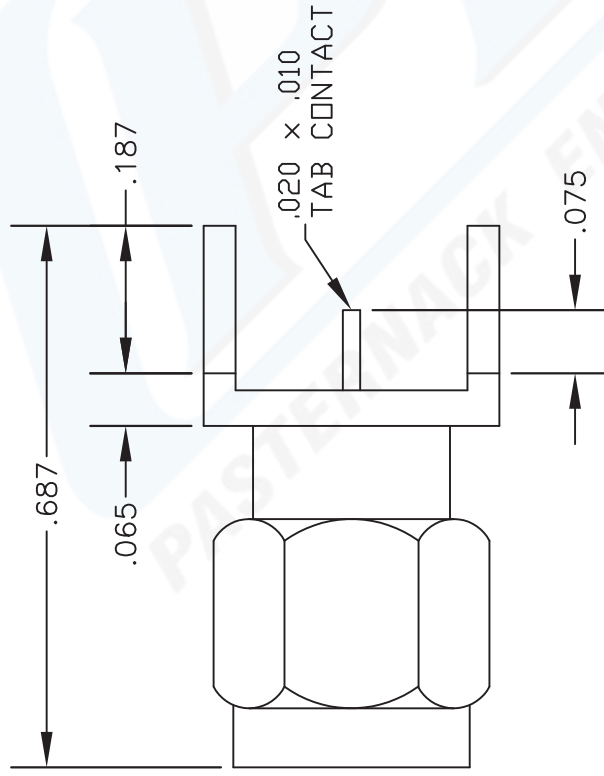
Click the following link (or enter part number in "SEARCH" on website) to obtain additional part information including price, inventory and certifications: [SMA Male Connector Solder Attachment 0.042 inch End Launch PCB, .020 inch x .010 inch Contact PE44210](#)

The information contained in this document is accurate to the best of our knowledge and representative of the part described herein. It may be necessary to make modifications to the part and/or the documentation of the part, in order to implement improvements. Pasternack reserves the right to make such changes as required. Unless otherwise stated, all specifications are nominal.



MATERIALS

| | |
|-----------|-------------------|
| BODY | BRASS GOLD PLATED |
| CONTACT | GOLD PLATED |
| INSULATOR | PTFE |
| | |



PASTERNAK ENTERPRISES®
ESTABLISHED 1972

PASTERNAK ENTERPRISES, INC.

PO BOX 16759, IRVINE, CA 92623
PHONE (949) 261-1920 FAX (949) 261-7451

WEB ADDRESS: www.pasternack.com
E-MAIL ADDRESS: sales@pasternack.com

COAXIAL & FIBER OPTICS

| | | | |
|-----------|---|----------|--------|
| DWG TITLE | PE44210 | | |
| DES. | SMA MALE, END LAUNCH FOR .042" THICK BOARD, .020" x .010" TAB | | |
| SIZE A | FSCM NO. 53919 | CAD FILE | 071202 |
| | | SCALE | N/A |
| | | | 127 |

NOTES:

1. UNLESS OTHERWISE SPECIFIED ALL DIMENSIONS ARE NOMINAL.
2. ALL SPECIFICATIONS ARE SUBJECT TO CHANGE WITHOUT NOTICE AT ANY TIME.