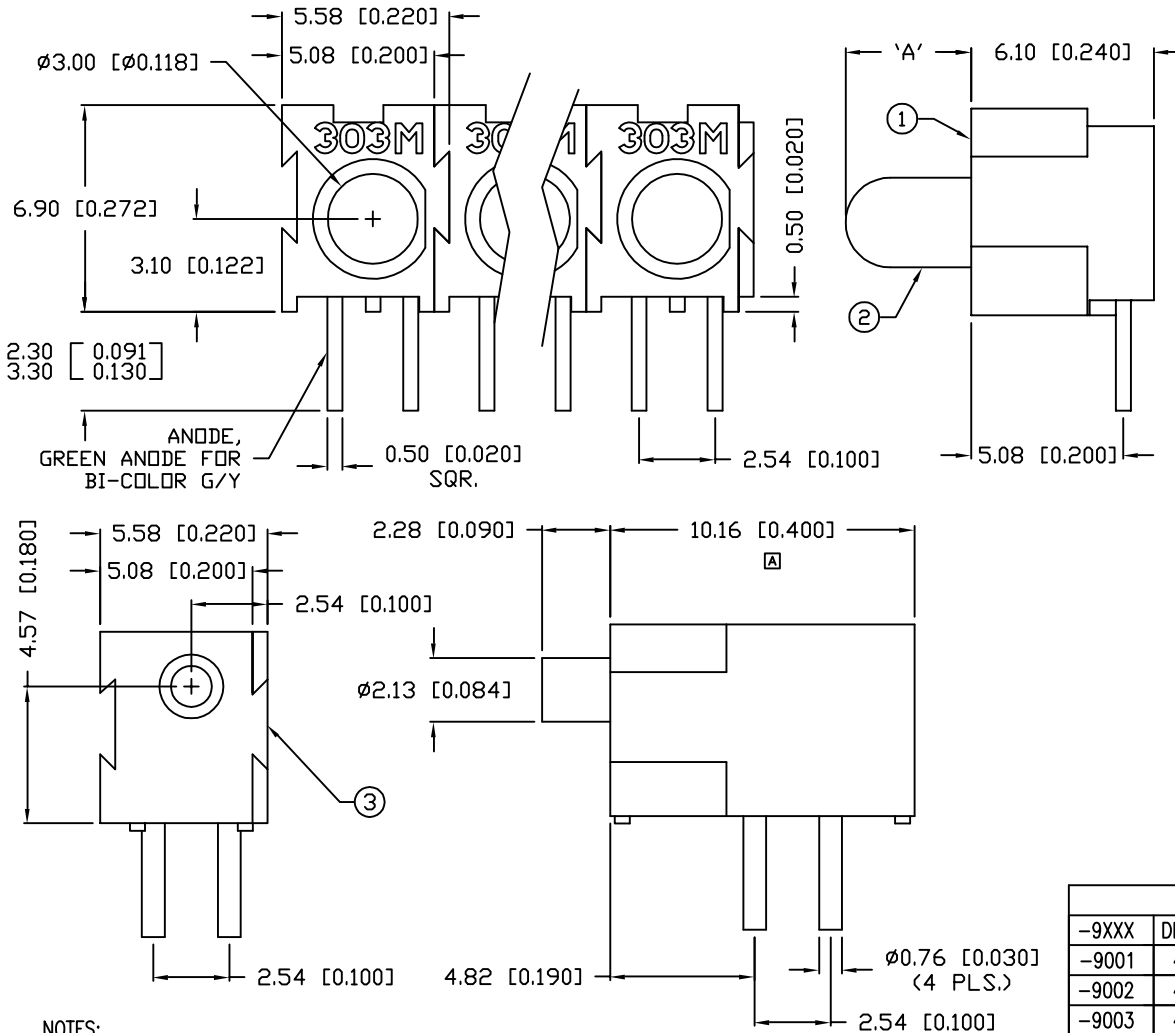


UNCONTROLLED DOCUMENT

PART NUMBER
SSF-LXH303M-9XXX

REV.
B



NOTES:

- SSH-LXH303M, MONSANTO VDYNE NYLON 6/6, BLACK HOLDER.
- USE SSL-LX3064L SERIES LED, LOW CURRENT SELECTION, FOR WHEN DIM 'A'=4.19 [0.165].
USE SSL-LX3054L SERIES LED, LOW CURRENT SELECTION, FOR WHEN DIM 'A'=3.18 [0.125].
- LXP-SW1.
- PACKAGE PARTS IN ANTI-STATIC TUBES.

*UNLESS OTHERWISE SPECIFIED TOLERANCES PER DECIMAL PRECISION ARE: X=±1 (±0.039), X.X=±0.5 (±0.020), X.XX=±0.25 (±0.010), X.XXX=±0.127 (±0.005). LEAD SIZE=±0.05 (±0.002), LEAD LENGTH=±0.75 (±0.030). MIN.=+DECIMAL PRECISION -0.00, MAX.=+0.00 -DECIMAL PRECISION

REV.	E.C.N. NUMBER AND REVISION COMMENTS	DATE
A	E.C.N. #10554.	9.2.99
B	E.C.N. #10724. &10BRDR.	4.07.01

ELECTRO-OPTICAL CHARACTERISTICS T_A=25°C I_f=20mA

PARAMETER	RED	YELLOW	GREEN	UNITS	TEST COND
PEAK WAVELENGTH	635	585	565	nm	
FORWARD VOLTAGE (TYP.)	2.0	2.1	2.2	nm	
FORWARD VOLTAGE (MAX.)	2.5	2.5	2.6	V _f	
REVERSE VOLTAGE (TYP.)	5.0	5.0	5.0	V _r	I _r =100µA
AXIAL INTENSITY (TYP.)	30	30	30	mcd	I _f =20mA
AXIAL INTENSITY (MIN.)	1.0	1.0	1.0	mcd	I _f =2mA
VIEWING ANGLE	60	60	60	2x theta	

LED POSITION: PER POSTION IN LED LAYOUT TABLE
EPOXY LENS FINISH: COLOR DIFFUSED, WHITE DIFFUSED FOR BI-COLOR LED.

LIMITS OF SAFE OPERATION AT 25°C

PARAMETER	COLORS	MAX	UNITS
PEAK FORWARD CURRENT*		150	mA
STEADY CURRENT	(R/Y/G)	30/30/25	mA
POWER DISSIPATION		105	mW
DERATE FROM 25°C		-1.6	mW/°C
OPERATING, STORAGE TEMP.		-40 TO +85	°C
SOLDERING TEMP.		+260	°C
2.0mm FROM BODY			3 SEC. MAX

* t<10µS

LED LAYOUT TABLE

-9XXX	DIM 'A'	LED 1	LED 2	LED 3	LED 4	LED 5	LED 6	LED 7	LED 8	LED 9	LED 10
-9001	4.19	GREEN	YELLOW	RED	RED	RED	-	-	-	-	-
-9002	4.19	GREEN	YELLOW	RED	RED	YELLOW	-	-	-	-	-
-9003	4.19	GREEN	RED	RED	YELLOW	-	-	-	-	-	-
-9004	4.19	YELLOW	SW1	NO LED	RED	RED	-	-	-	-	-
-9005	4.19	GREEN	RED	RED	RED	YELLOW	SW1	NO LED	YELLOW	SW1	-
-9006	4.19	GREEN	YELLOW	RED	RED	-	-	-	-	-	-
-9008	4.19	GREEN	NO LED	GREEN	GREEN	GREEN	GREEN	GREEN	NO LED	GR/YL	GR/YL

UNCONTROLLED DOCUMENT

REV. B	PART NUMBER SSF-LXH303M-9XXX
-----------	---------------------------------

CONFIDENTIAL INFORMATION
THE INFORMATION CONTAINED IN THIS DOCUMENT IS THE PROPERTY OF LUMEX INC. EXCEPT AS SPECIFICALLY AUTHORIZED IN WRITING BY LUMEX INC., THE HOLDER OF THIS DOCUMENT SHALL KEEP ALL INFORMATION CONTAINED HEREIN CONFIDENTIAL AND SHALL PROTECT SAME IN WHOLE OR IN PART FROM DISCLOSURE AND DISSEMINATION TO ALL THIRD PARTIES.



290 E. HELEN ROAD
PALATINE, IL 60067-6976
PHONE: +1.847.359.2790
US WEB: www.lumex.com
TW WEB: www.lumex.com.tw

T-3mm (T-1) MATING RIGHT ANGLE FAULT INDICATOR,
ASSORTED COLORS AND POSITIONS, SEE CHART.

RELIABILITY NOTE
OUR MANY YEARS OF EXPERIENCE DATA ACCUMULATION INDICATE THAT SOLDER HEAT IS A MAJOR CAUSE OF EARLY AND FUTURE FAILURE. PLEASE PAY ATTENTION TO YOUR SOLDERING PROCESS.

DRAWN BY: CT	CHECKED BY:	APPROVED BY:	DATE: 8.6.99
			PAGE: 1 OF 1
			SCALE: N/A