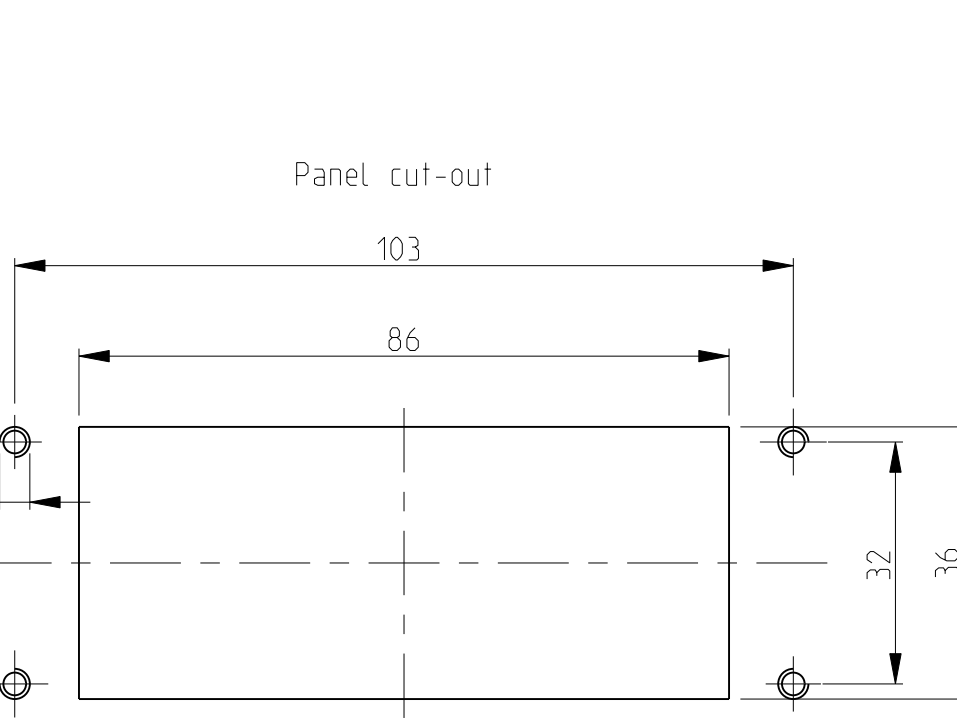
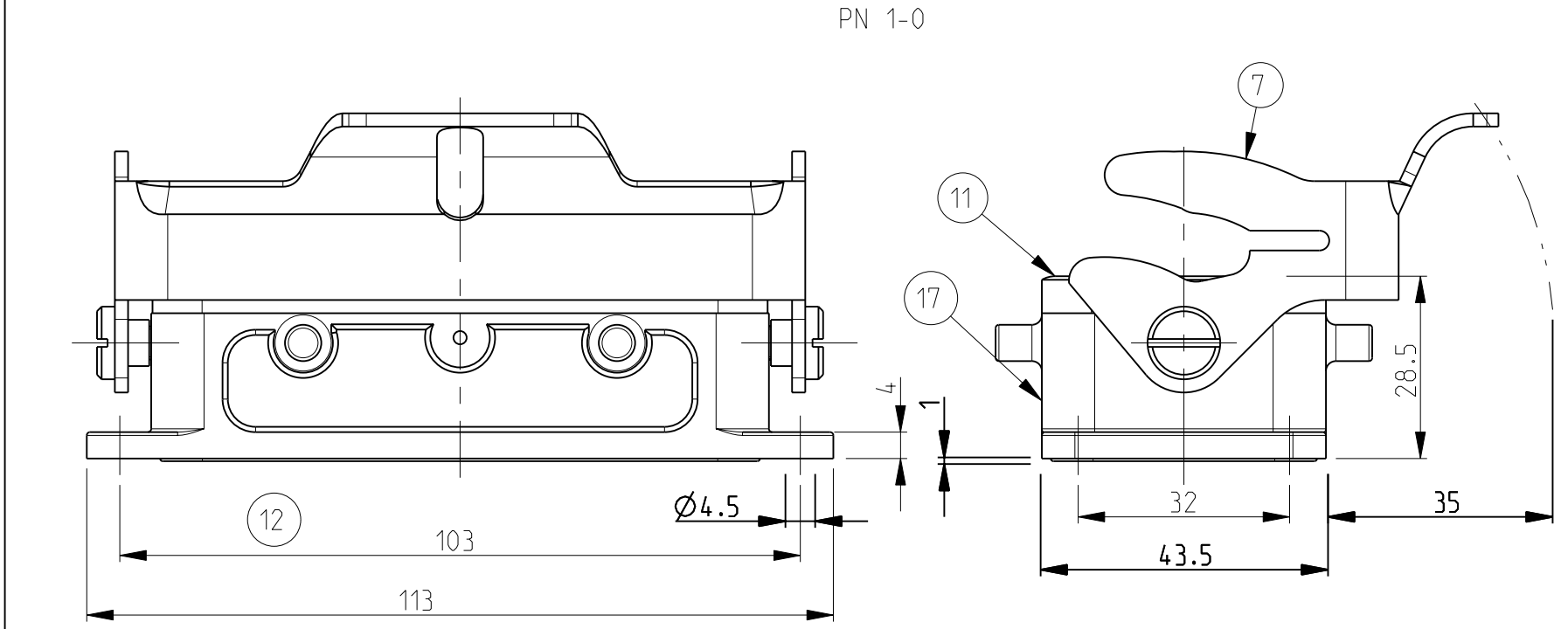
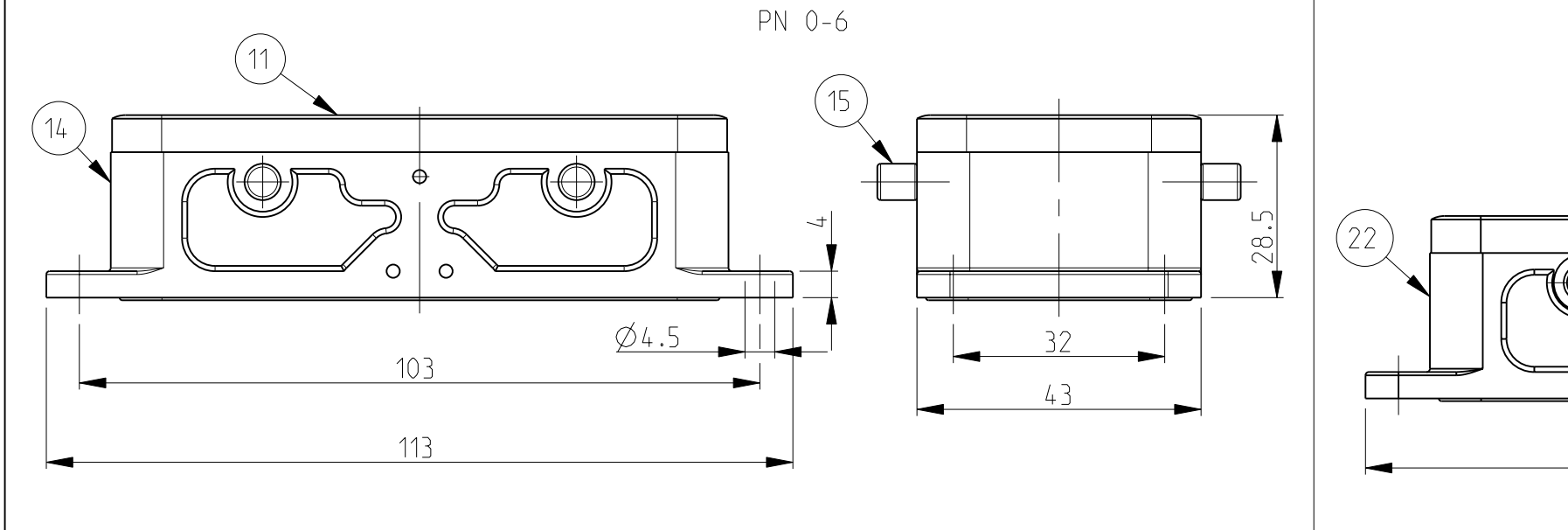
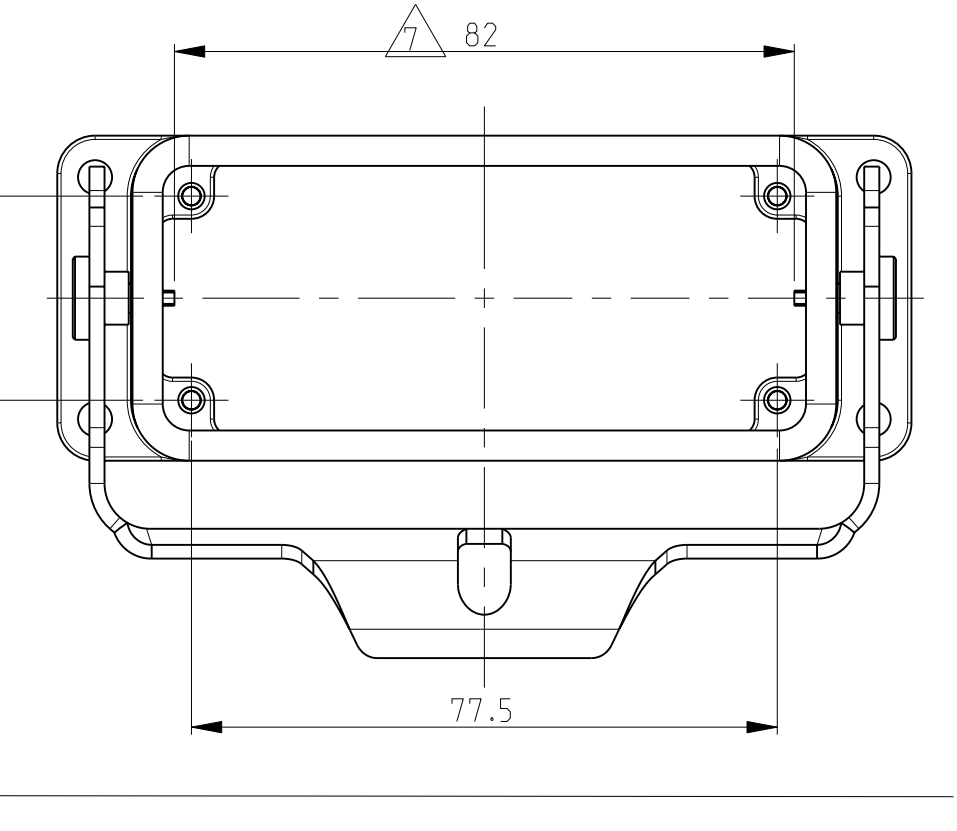
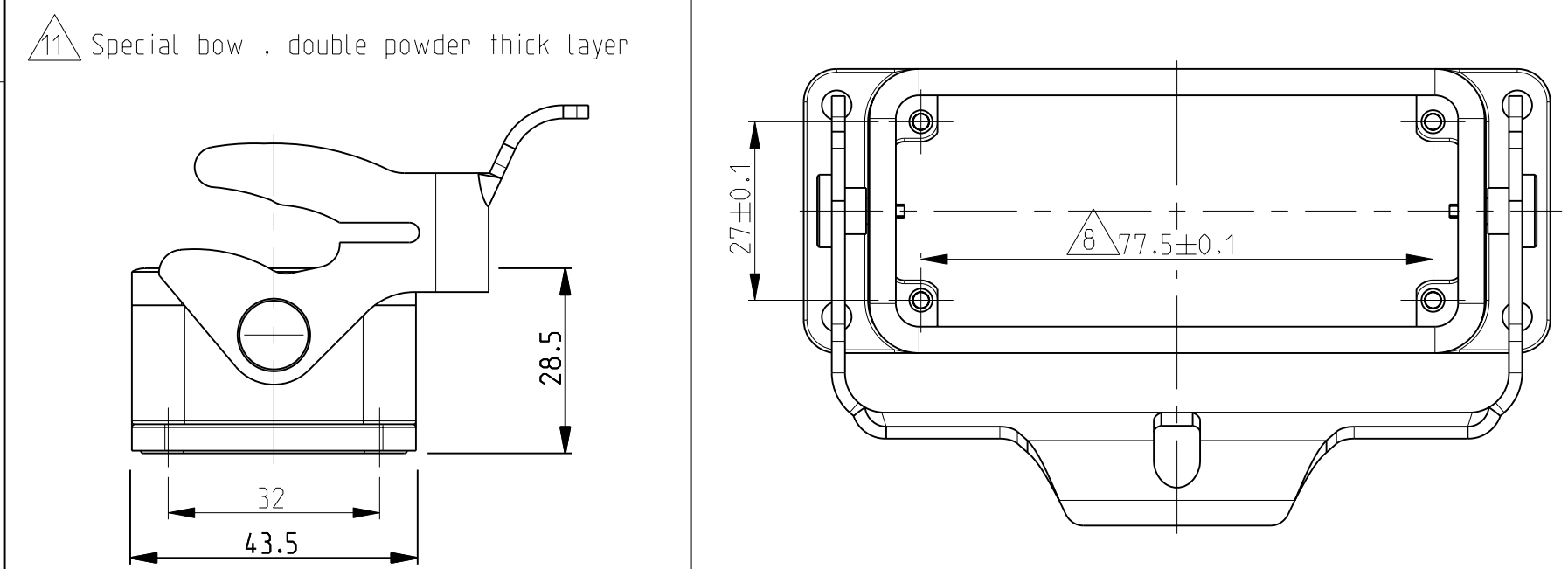
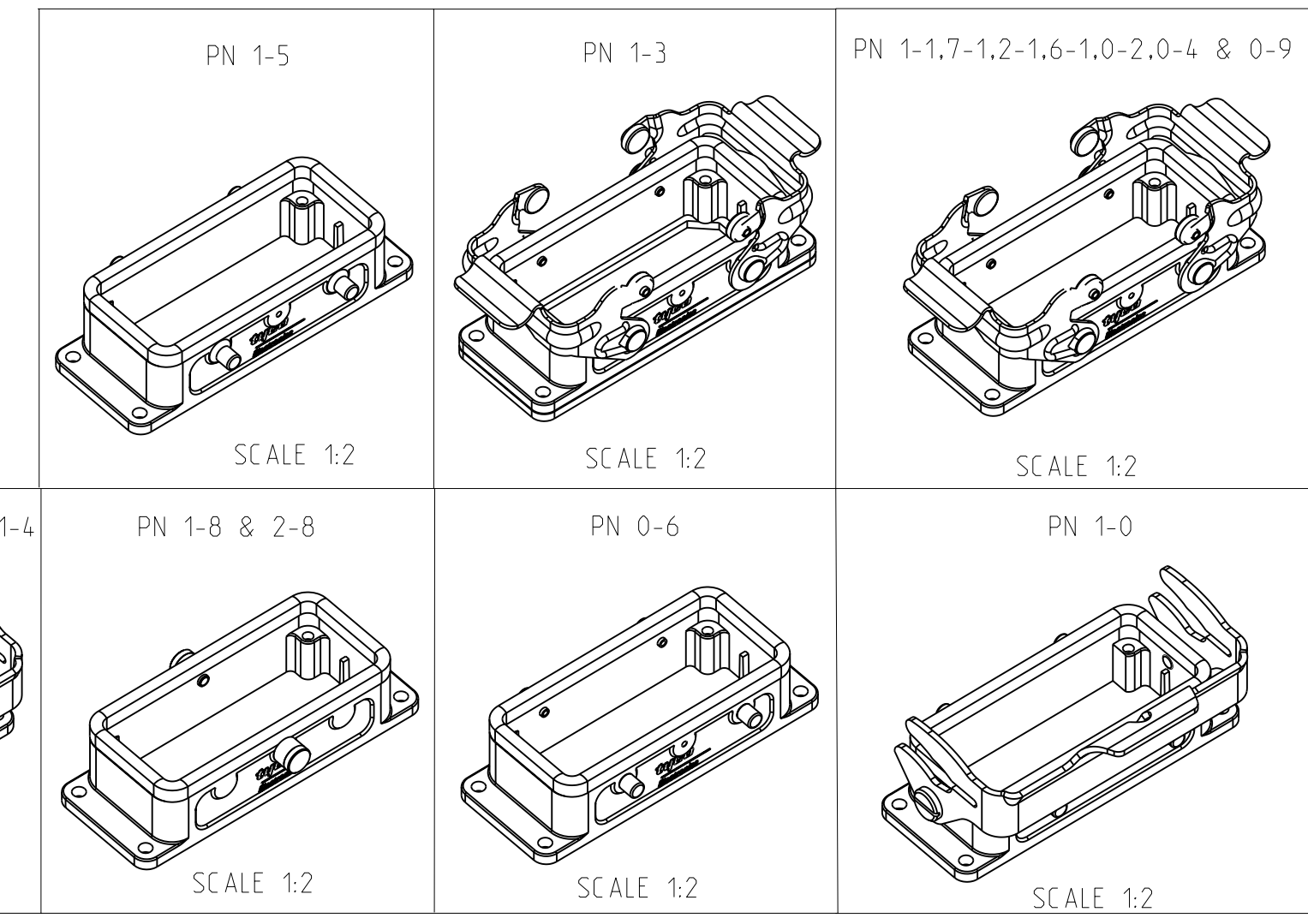
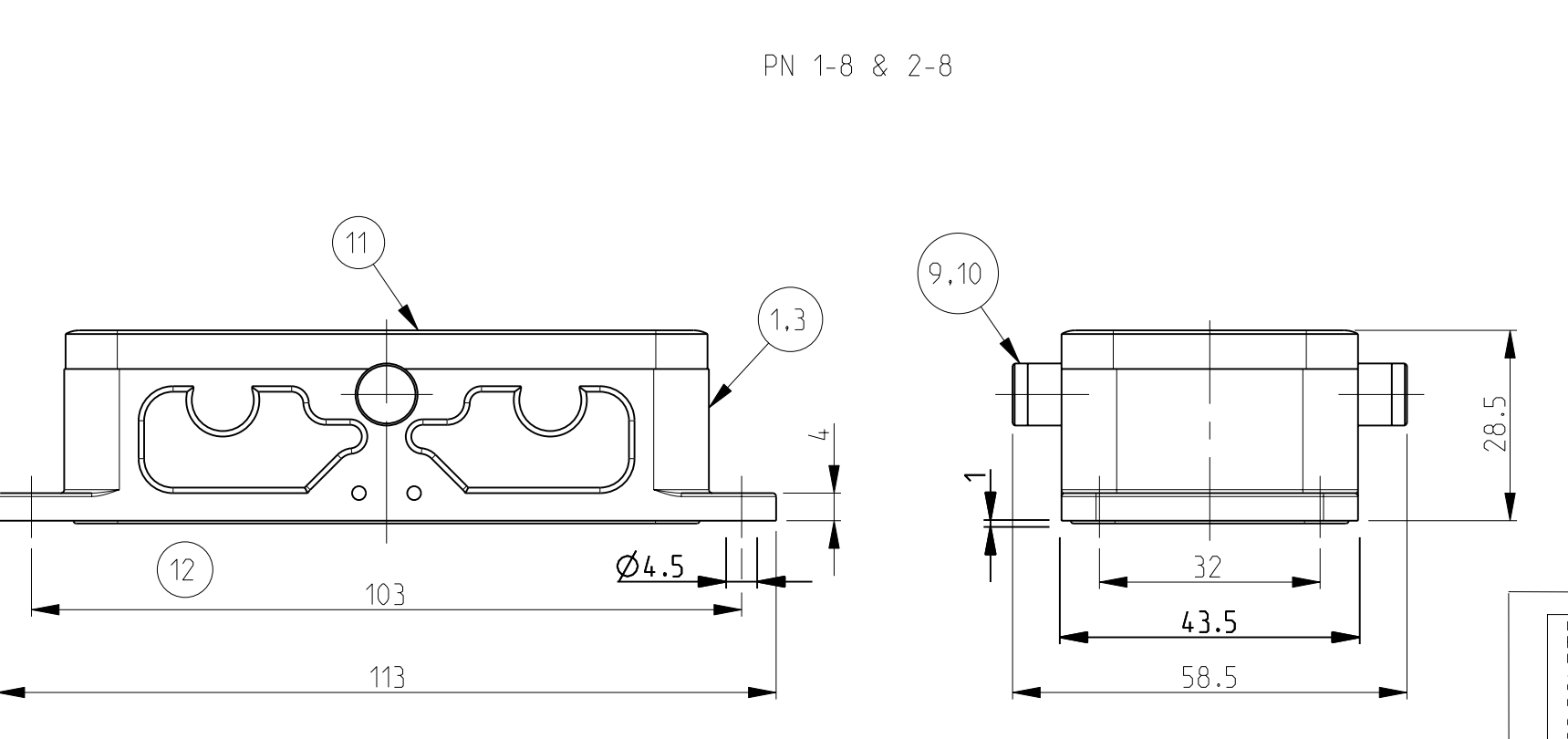
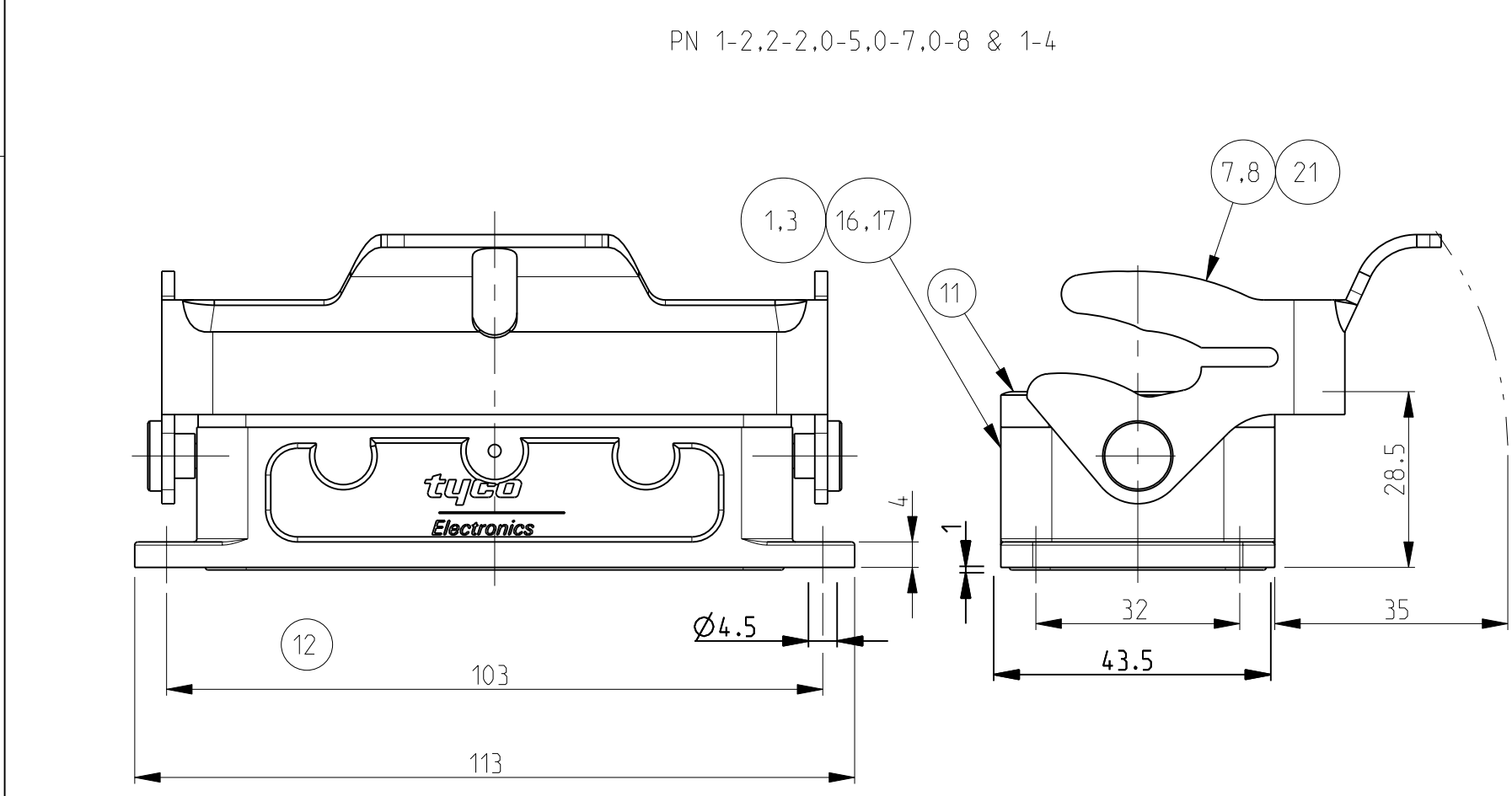


- NOTES
- Material: Housing aluminium diecasting alloy
Seals: Neoprene ; Viton
 - Surface: Varnish Grey; Black
 - Varnish on the inside not necessary
 - △ Packaging quantity 5 pieces
 - △ Packaging quantity 100 pieces
 - △ Packaging quantity 150 pieces
 - △ Only valid for PN 0-1:
couding device beveled on dimension 82
 - △ Only valid for PN 0-4 and 0-5
Plat form beveled on dimension 72.5±0.1 both sides
 - △ Only valid for PN 0-2
Seal loose attached
 - △ Only valid for PN 0-3:
flange seal clued on
 - △ Special side clip for Mitsubishi powder coating for housing : 120-160 μm

LOC	DIST	REVISIONS					
A	I	P	LTH	DESCRIPTION	DATE	DWN	APVD
		B7		Released as per ECR-08-020244	18.Aug.2008	SP	TS
		B8		ECR - 001736	22SEP2009	GW	ST



1	1																	Surface mounted housing bottom entry HB	Aluminium		Grey RAL7001	22	With bolt
	1																	LB-Side clip	Steel	Zinc plated	Blue	21	
		1	1															Surface mounted housing bottom entry HB	Aluminium		Grey 120-160 μm	20	
1				1	1													Flange seal	Viton		Black	19	
	1																	Profile seal	Viton		Grey	18	
		1	1															Surface mounted housing bottom entry HB	Aluminium		Grey RAL7001	17	Neutral
																		Surface mounted housing bottom entry HB	Aluminium		Grey RAL7001	16	Without lo
																		Clip bolt-HB	Steel	Zinc plated	Blue	15	
																		Surface mounted housing bottom entry HB	Aluminium		Grey RAL7001	14	
																						13	
	1																	Flange seal	Neoprene		Black	12	
		1	1															Profile seal	Neoprene		Black	11	
																		ZB-Clip bolt	Stainless steel			10	
																		ZB-Clip bolt	Steel	Zinc plated	Blue	9	
																		LB-Side clip	Stainless steel			8	
																		LB-Side clip	Steel	Zinc plated	Blue	7	
1				1	1													VS-Locking clip	Stainless steel			6	
		2	2															VS-Locking clip	Steel	Zinc plated	Blue	5	
																		Surface mounted housing bottom entry HB	Aluminium			4	
																		Surface mounted housing bottom entry HB-K	Aluminium	Aluminium oxide	Black RAL9005	3	
																		Surface mounted housing bottom entry HB-K	Aluminium		Black RAL9005	2	
		1	1															Surface mounted housing bottom entry HB	Aluminium		Grey RAL7001	1	

1-6	1-5	1-4	1-3	1-0	0-9	0-8	0-7	0-6	0-5	0-4	0-3	0-2	0-1	6-1	8-1	2-8	1-8	2-2	1-2	2-1	17-1	1-1	DESCRIPTION	MATERIAL	SURFACE	COLOR	ITEM NO	NOTES
△	△	△	△	△	△	△	△	△	△	△	△	△	△	△	△	△	△	△	△	△	△	△	ORDERING TEXT					
																							HB.16.AG-VS					
																							HB.16.AG-VS					
																							HB-K.16.AG-VS					
																							HB.16.AG-LB					
																							HB-K.16.AG-LB					
																							HB-Z.16.AG-ZVGR					
																							HB-K/Z.16.AG-ZV					
																							HB.16.AG-LB					
																							HB.16.AG-VS					
																							HB-Z.16.AG-ZVGR					
																							HB.16.AG-VS					
																							HB-K.16.AG-VS					
																							HB-K.16.AG-LB					
																							HB.16.AG					
																							HB.16.AG-LB					
																							HB.16.AG-LB.KM					
																							HB.16.AG-VS.KM					
																							HB.16.AG-LB					
																							HB.16.AG-VS.V					
																							HB.16.AG-F					
																							HB.16.AG-LB					

TYCO ELECTRONICS Tyco Electronics, AMP, GmbH
 D-53819, Neunkirchen, Germany

Surface Mounted housing Bottom Entry HB.16

DIMENSIONS: mm	TOLERANCES UNLESS OTHERWISE SPECIFIED: 0: PL ± 1: PL ± 2: PL ± 3: PL ± 4: PL ± ANGLES ±	DWN: Schwieger 23.07.1997 CHK: Kramer 23.06.1998 NAME:	Tyco Electronics, AMP, GmbH D-53819, Neunkirchen, Germany
MATERIAL:	FINISH:	PRODUCT SPEC: 108-74001/74003 APPLICATION SPEC: 114-74001/74004/74005 WEIGHT:	SIZE: CAGE CODE: DRAWING NO: RESTRICTED TO: 00779 C=1102296 SCALE: 1:1 SHEET 1 OF 1 REV: B8

CUSTOMER DRAW ING