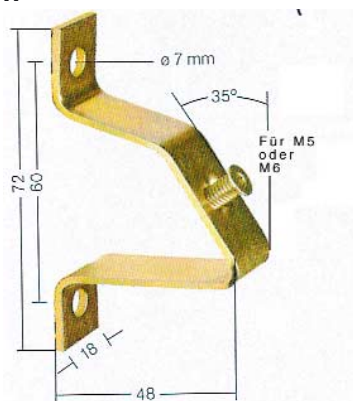


Mounting rail support

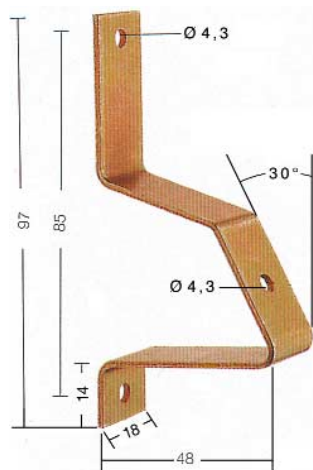
TSTW, TST

Material thickness 1.8 mm

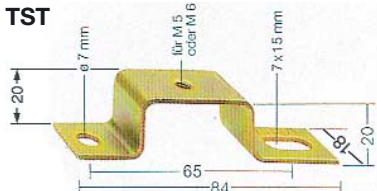
TSTW



TSTW



TST



TSTW mounting rail supports allow for sloped fitting of mounting rails at an angle of 35°. Three designs are available with M5, M6 threads or with a bore of Ø 4.3 mm.

The TST mounting rail support allows rails to be fitted into frames or above a cut-out. This design has an M5 or M6 thread (not shown).

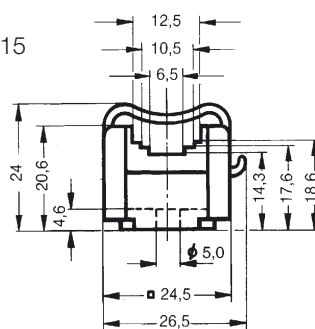
Weidmüller offers hexagon socket fixing screws for the mounting rail supports with a particularly low head allowing terminals also to be fitted above the screw.

Type	Cat. No.	Qty.
TSTW (M 5)	0178100000	10
TSTW (M 6)	0164000000	10
TSTW Ø 4.3	1610110000	10
TST (M 6)	0101700000	10
TST (M 5)	1286600000	10
TSTW (M 5), zinc-plated	1779100000	10
Fixing screw		
FKSC M 5x8 Ø 9 hexagon socket SW 2.5	0295900000	50
FKSC M 6x8 Ø 9 hexagon socket SW 3	0642600000	50
FKSC M 6x12 Ø 9 hexagon socket SW 3	0353500000	50

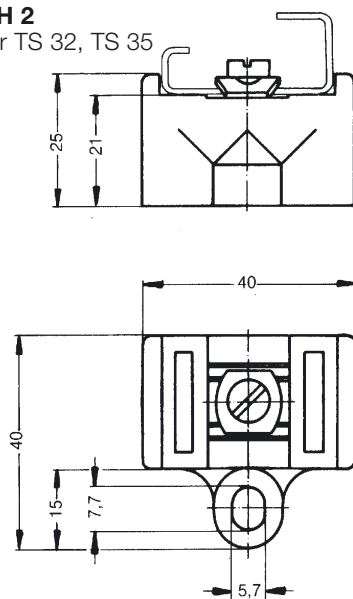
Support block

Support block for TS 15, TS 32, TS 35 and busbars

SH 1 for TS 15



SH 2 for TS 32, TS 35



The SH 1 and SH 2 support blocks enable construction of insulated mounting rails.



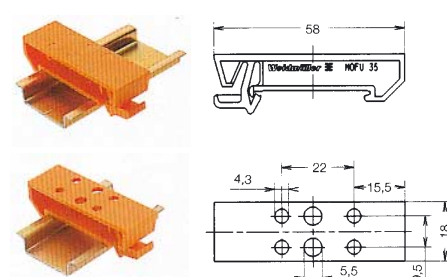
SH 2

Type	Cat. No.	Qty.
SH 1 for TS 15 in PA (thermoplastics) compl.	0299860000	20
SH 1 Base	0401460000	20
SH 1 Bracket	0635960000	500
Type	Cat. No.	Qty.
SH 2 for TS 32/35 in KrG (thermosetting)	0494920000	10

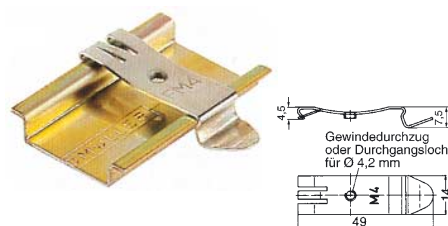
Mounting bases

Mounting bases for TS 32 and TS 35

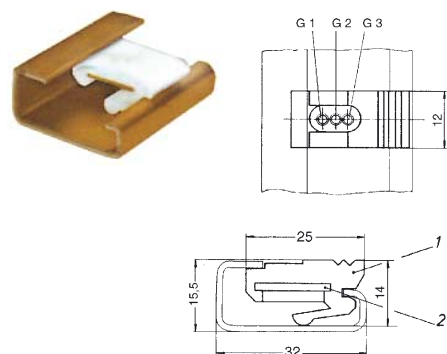
MOFU



FM



MB



Mounting bases are used to fix components onto mounting rails. Weidmüller offers a polyamide mounting base and a steel snap-on base for the TS 35 mounting rail. The FM 4 snap on base fits all "top-hat" mounting rails. The PA mounting base fits the TS 35 x 7.5 and the TS 35 x 15 slotted rails.

The sliding nut for TS 32 mounting rails has 2 tapped holes for M 3 + M 5 / M 6 + M 4 / M 5 + M 3 screws. It is used to fix components which cannot be directly mounted on the TS 32 and, in particular, to accept the smaller TS 15 "top-hat" rail. In this way, for example, small terminals can first be mounted on the TS 15 and this rail can then be mounted on the TS 32 with the aid of the sliding nut together with the terminals.

Type	Cat. No.	Qty.
FM 4 (M 4) for TS 35	0687900000	40
FM 5 (M 5) for TS 35	0636800000	40
FM 6 (M 6) for TS 35	0636900000	40
FM (Ø 4.2) for TS 35	1724580000	40
MOFU mounting foot PA orange	0646260000	with bore 20
for TS 35 x 7.5 u. 35 x 15 gel.	0495660000	without bore 20
MB 3/5 (cream)	0503500000	20
with thread M 3 and M 5, for TS 32		
MB 6/4 (grey)	0334900000	20
with thread M 6 and M 4, for TS 32		
MB 5/3 (black)	0553400000	20
with thread M 5 and M 3, for TS 32		