



UT3N01Z

Power MOSFET

N CHANNEL SILICON MOSFET GENERAL-PURPOSE SWITCHING DEVICE APPLICATIONS

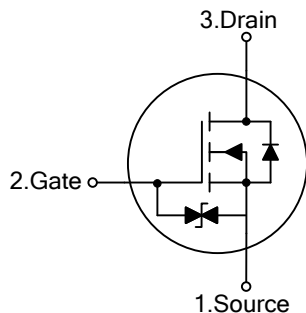
DESCRIPTION

The **UT3N01Z** uses UTC advanced technology to provide excellent $R_{DS(ON)}$, low gate charge and operation with low gate voltages. This device's general purpose is for switching device applications.

FEATURES

- * $R_{DS(ON)} = 3.7\Omega @ V_{GS} = 4V$
- * Ultra low gate charge (typical 1.58 nC)
- * Low reverse transfer capacitance ($C_{RSS} =$ typical 2.3 pF)
- * Fast switching capability
- * Avalanche energy specified
- * Improved dv/dt capability, high ruggedness
- * Halogen-Free

SYMBOL

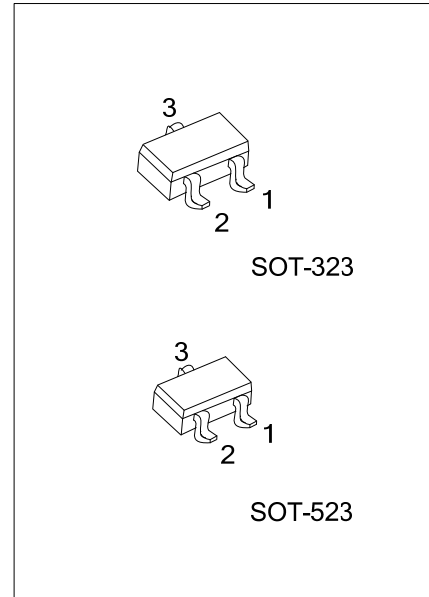
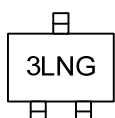


ORDERING INFORMATION

Ordering Number	Package	Pin Assignment			Packing
		1	2	3	
UT3N01ZG-AL3-R	SOT-323	S	G	D	Tape Reel
UT3N01ZG-AN3-R	SOT-523	S	G	D	Tape Reel

UT3N01ZG-AL3-R	(1) Packing Type	(1) R: Tape Reel
	(2) Package Type	(2) AL3: SOT-323, AN3: SOT-523
	(3) Halogen Free	(3) G: Halogen Free

MARKING



■ ABSOLUTE MAXIMUM RATINGS ($T_a = 25^\circ\text{C}$)

PARAMETER	SYMBOL	RATINGS	UNIT
Drain-Source Voltage	V_{DSS}	30	V
Gate-Source Voltage	V_{GSS}	± 10	V
Drain Current	DC	0.15	A
	Pulse(Note 2)	0.6	A
Power Dissipation	P_D	150	mW
Storage Temperature	T_{STG}	-55 ~ +150	$^\circ\text{C}$

Note: 1. Absolute maximum ratings are those values beyond which the device could be permanently damaged.

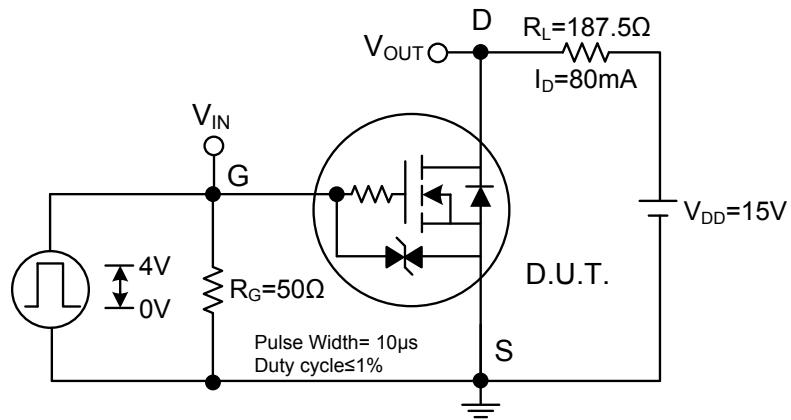
Absolute maximum ratings are stress ratings only and functional device operation is not implied.

2. Pulse width $\leq 10\mu\text{s}$, Duty cycle $\leq 1\%$

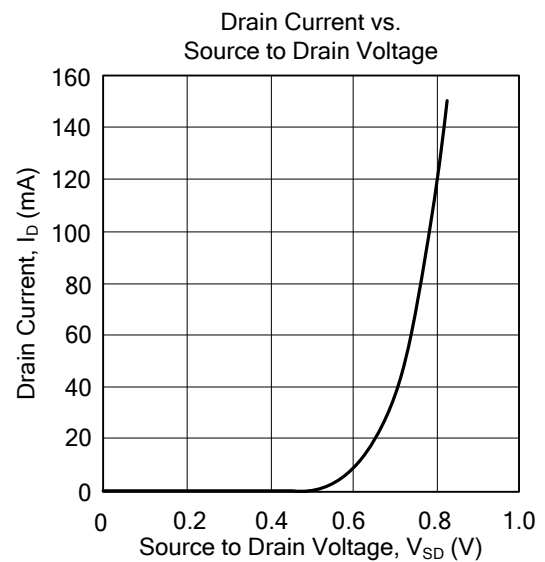
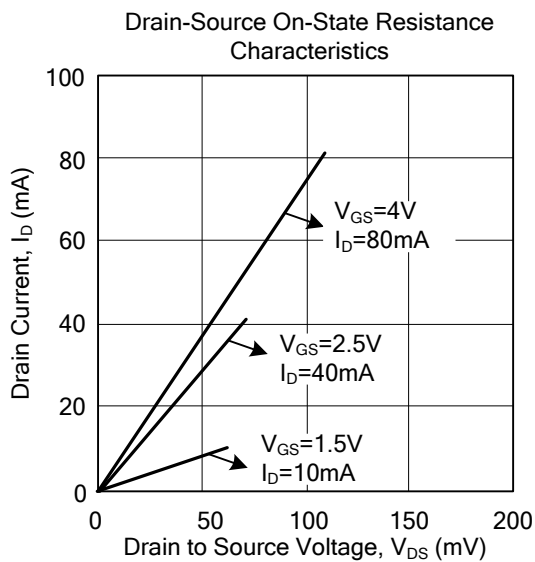
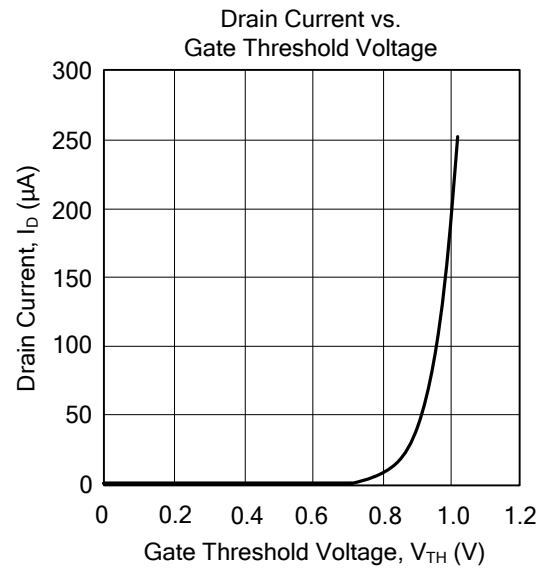
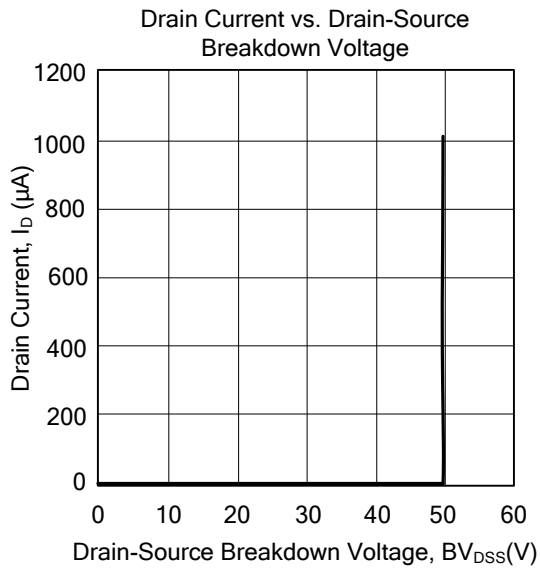
■ ELECTRICAL CHARACTERISTICS ($T_a = 25^\circ\text{C}$, unless otherwise specified)

PARAMETER	SYMBOL	TEST CONDITIONS	MIN	TYP	MAX	UNIT
OFF CHARACTERISTICS						
Drain-Source Breakdown Voltage	BV_{DSS}	$V_{GS}=0\text{V}, I_D=1\text{mA}$	30			V
Drain-Source Leakage Current	I_{DSS}	$V_{DS}=30\text{V}, V_{GS}=0\text{V}$			1	μA
Gate-Source Leakage Current	I_{GSS}	$V_{GS}=\pm 8\text{V}, V_{DS}=0\text{V}$			± 10	μA
ON CHARACTERISTICS						
Cutoff Threshold Voltage	$V_{GS(OFF)}$	$V_{DS}=10\text{V}, I_D=100\mu\text{A}$	0.4		1.3	V
Static Drain-Source On-Resistance	$R_{DS(ON)}$	$V_{GS}=4\text{V}, I_D=80\text{mA}$		2.9	3.7	Ω
		$V_{GS}=2.5\text{V}, I_D=40\text{mA}$		3.7	5.2	Ω
		$V_{GS}=1.5\text{V}, I_D=10\text{mA}$		6.4	12.8	Ω
DYNAMIC PARAMETERS						
Input Capacitance	C_{ISS}	$V_{DS}=10\text{V}, V_{GS}=0\text{V}, f=1.0\text{MHz}$		7.0		pF
Output Capacitance	C_{OSS}			5.9		pF
Reverse Transfer Capacitance	C_{RSS}			2.3		pF
SWITCHING PARAMETERS						
Total Gate Charge	Q_G	$V_{DS}=10\text{V}, V_{GS}=10\text{V}, I_D=150\text{mA}$		1.58		nC
Gate Source Charge	Q_{GS}			0.26		nC
Gate Drain Charge	Q_{GD}			0.31		nC
Turn-ON Delay Time	$t_{D(ON)}$	See specified Test Circuit		19		ns
Turn-ON Rise Time	t_R			65		ns
Turn-OFF Delay Time	$t_{D(OFF)}$			155		ns
Turn-OFF Fall-Time	t_F			120		ns
SOURCE- DRAIN DIODE RATINGS AND CHARACTERISTICS						
Drain-Source Diode Forward Voltage	V_{SD}	$I_S=150\text{mA}, V_{GS}=0\text{V}$		0.87	1.2	V

SWITCHING TIME TEST CIRCUIT



TYPICAL CHARACTERISTICS



UTC assumes no responsibility for equipment failures that result from using products at values that exceed, even momentarily, rated values (such as maximum ratings, operating condition ranges, or other parameters) listed in products specifications of any and all UTC products described or contained herein. UTC products are not designed for use in life support appliances, devices or systems where malfunction of these products can be reasonably expected to result in personal injury. Reproduction in whole or in part is prohibited without the prior written consent of the copyright owner. The information presented in this document does not form part of any quotation or contract, is believed to be accurate and reliable and may be changed without notice.