



<b>Ordering number</b>	<b>CA12239</b>		
<b>Description</b>	<b>CA12239_Minnie-M-MTG</b>		
Family	Minnie	FWHM	26 degrees
Type	Reflector	Efficiency	-
LED	MT-G	cd/lm	-
Color	Black	Gerber File	Available
Diameter	35 mm		
Height	15.4 mm		
Style	Round		
Optic Material	PC		
Holder Material	PC		
Fastening	Tape		
Status	Ready		



<b>Ordering number</b>	<b>CA12096</b>		
<b>Description</b>	<b>CA12096_Minnie-W-MTG</b>		
Family	Minnie	FWHM	36 degrees
Type	Reflector	Efficiency	-
LED	MT-G	cd/lm	-
Color	Black	Gerber File	Available
Diameter	35 mm		
Height	15.4 mm		
Style	Round		
Optic Material	PC		
Holder Material	PC		
Fastening	Tape		
Status	Ready		



<b>Ordering number</b>	<b>CA12240</b>		
<b>Description</b>	<b>CA12240_Minnie-WWW-MTG</b>		
Family	Minnie	FWHM	74 degrees
Type	Reflector	Efficiency	-
LED	MT-G	cd/lm	-
Color	Black	Gerber File	Available
Diameter	35 mm		
Height	15.4 mm		
Style	Round		
Optic Material	PC		
Holder Material	PC		
Fastening	Tape		
Status	Ready		

**NOTE: The typical divergence will be changed by different color, chip size and chip position tolerance. The typical total divergence is the full angle measured where the luminous intensity is half of the peak value.**



## PRODUCT DATASHEET Minnie-assembly series



### GENERAL INFORMATION

- Product series especially designed & optimized for MT-G series of LEDs.
  - Special care taken to make light distribution as uniform as possible.
  - Reflector is made of aluminium coated PC (120 degrees of Celcius / 248 degrees of Fahrenheit) with protective lacquer (110 degrees of Celcius / 230 degrees of Fahrenheit).
  - Optic holder molded by high quality PC material (120 dergees of Celcius / 248 degrees of Fahrenheit).
- Fastening to heat sink with a PU foam adhesive tape of automotive grade. Please find fastening details by clicking link: [http://www.ledil.com/datasheets/DataSheet\\_TAPE.pdf](http://www.ledil.com/datasheets/DataSheet_TAPE.pdf)

**NOTE 1: We advise customer to ensure the suitability and sufficiency of the bond in the end product. For example, mechanical stress, vibration and holes on the surface of the circuit boar weaken the strength of the tape.**

**NOTE 2: Assembly to the surface must be made straight, so the tape bonds constant and balanced with fastening surface. Slanted assembly might cause unbalanced bond to the surface. All surfaces where tape is applied must be clean, dry and free from grease and dirt.**

**If cleaning of PCB surfaces is needed, please follow strictly the cleaning instructions of your LED manufacturer - this is important as cleaning shall under no circumstances damage LEDs or other electronics components on the PCB.**

**Further note that optical components shall not be cleaned with any chemicals - only micro fiber cloth may be used to remove fingerprints or other traces from handling.**

**CA12096**



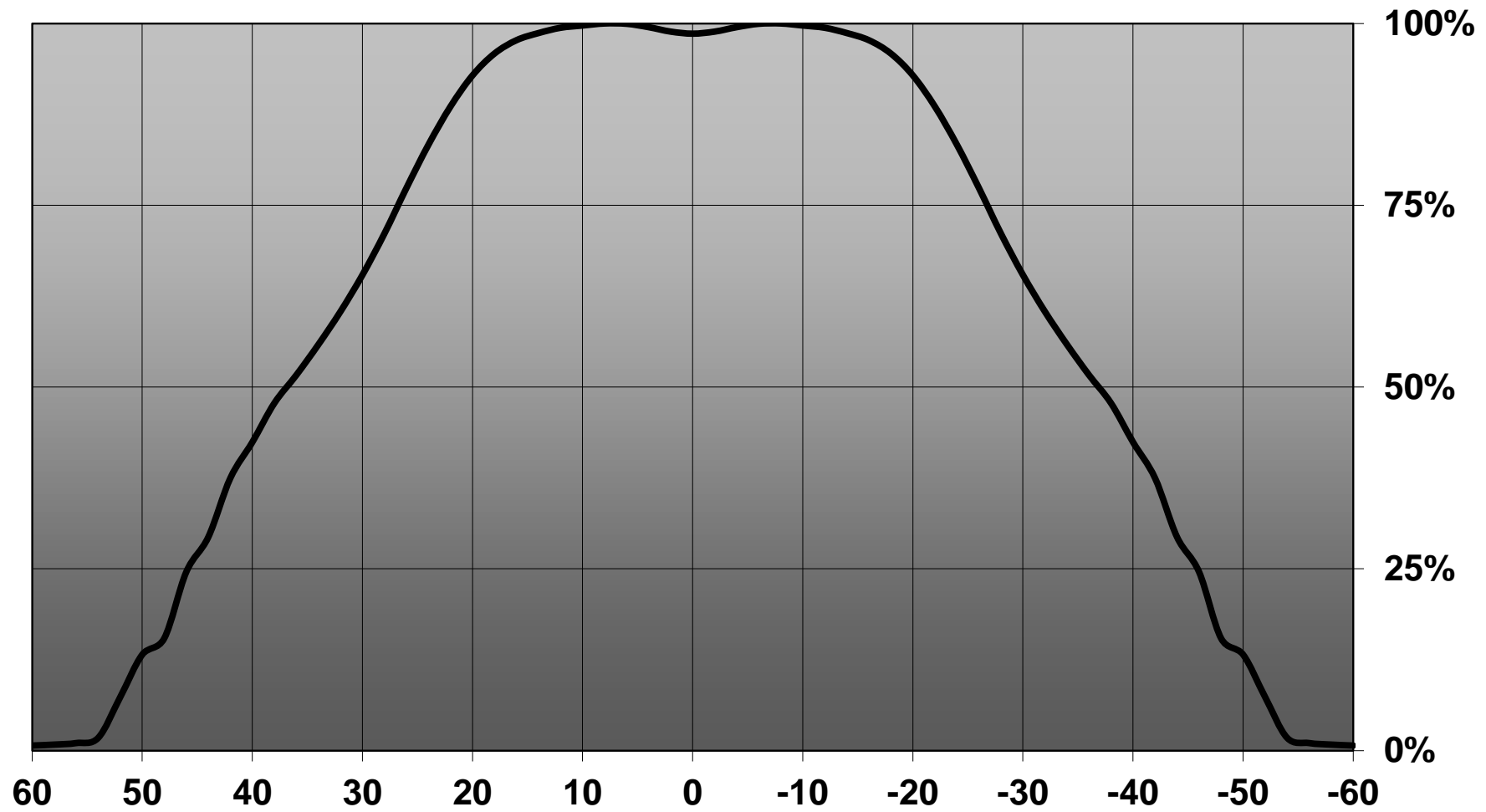
**CA12239**



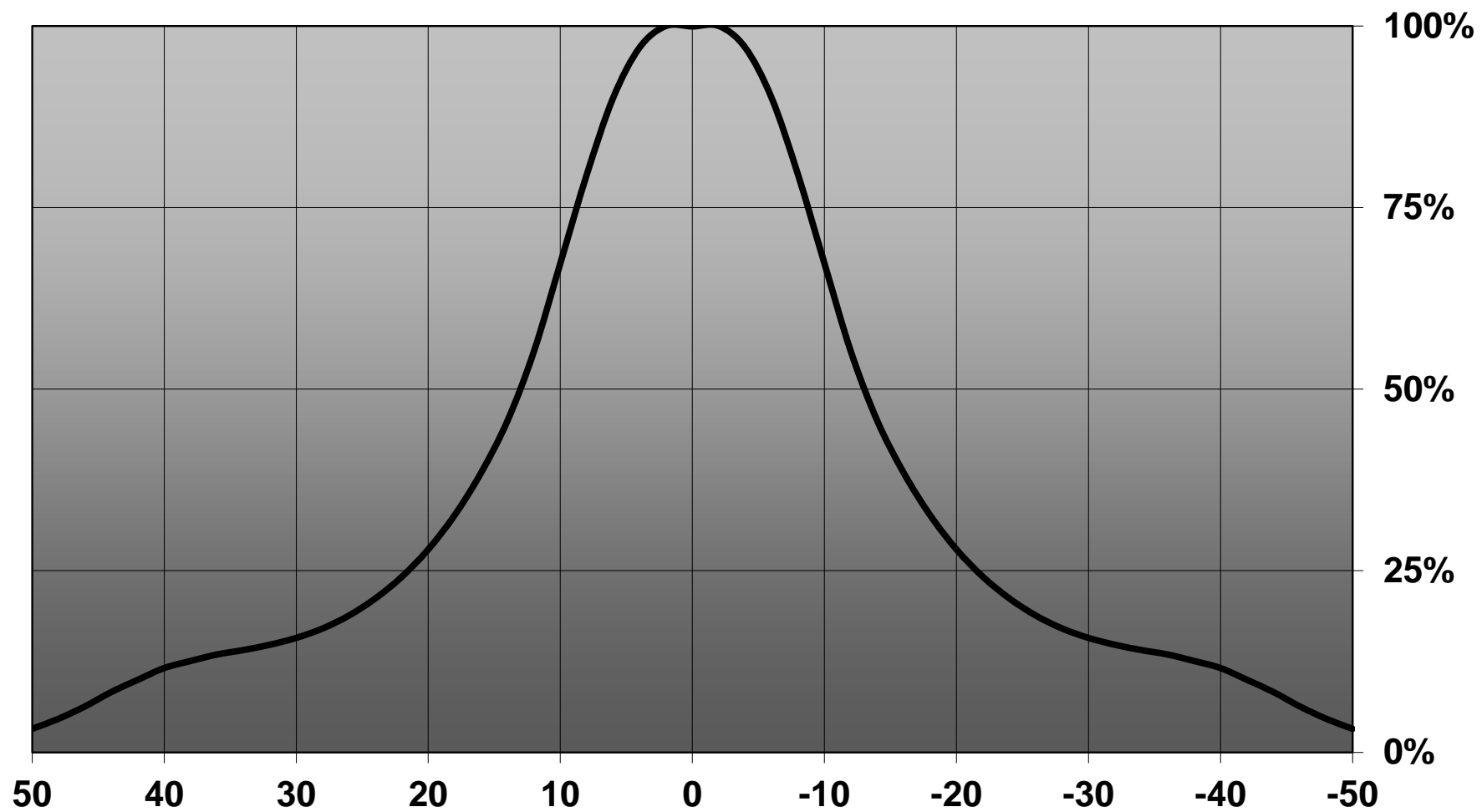
**CA12240**



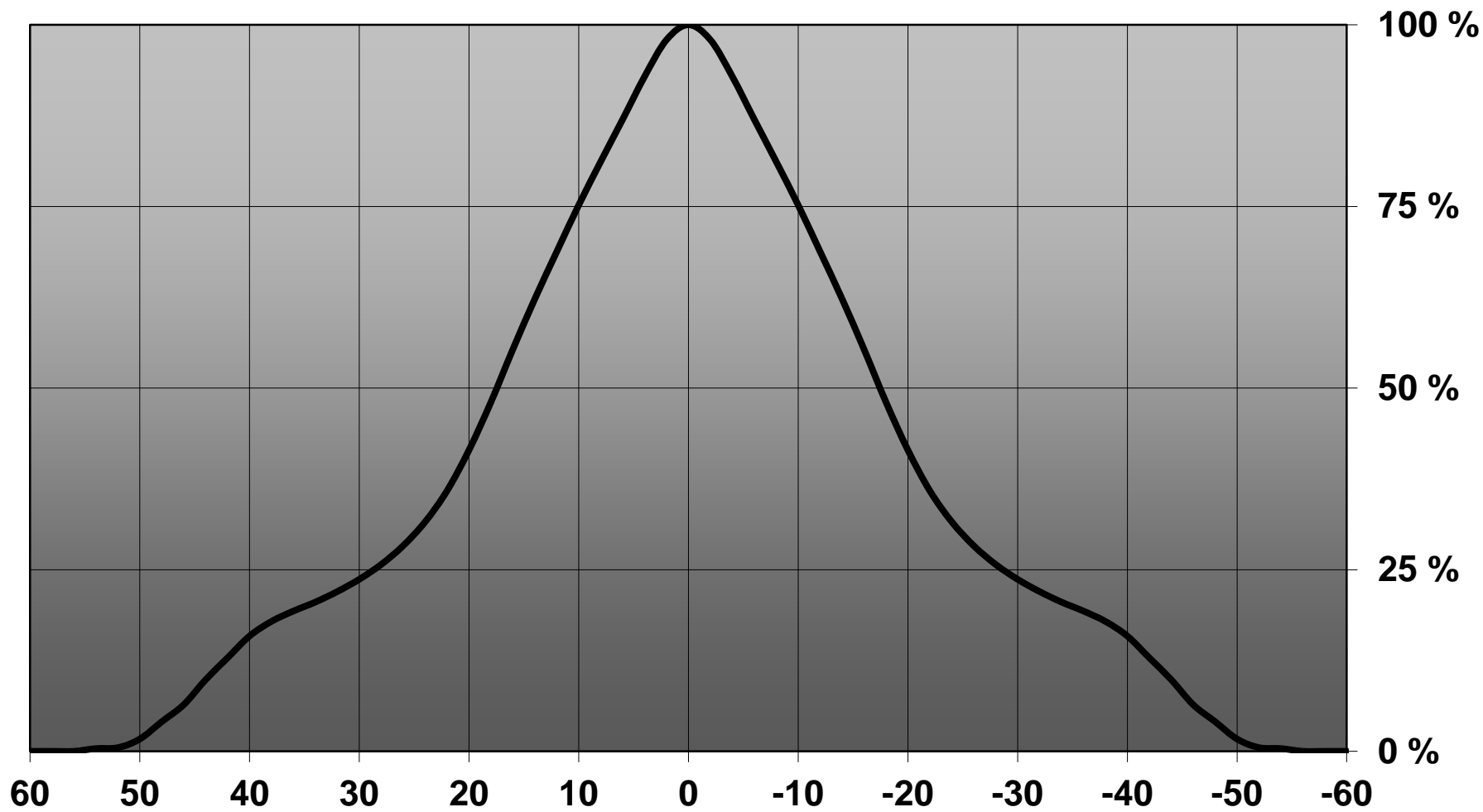
Relative intensity of CA12240\_Minnie-WWW-MTG-assy



Relative intensity of CA12239\_Minnie-M-MTG-assy



# Relative intensity of Minnie-W-MTG



D

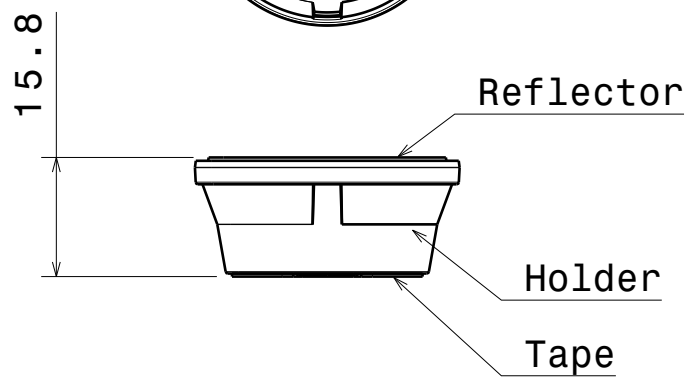
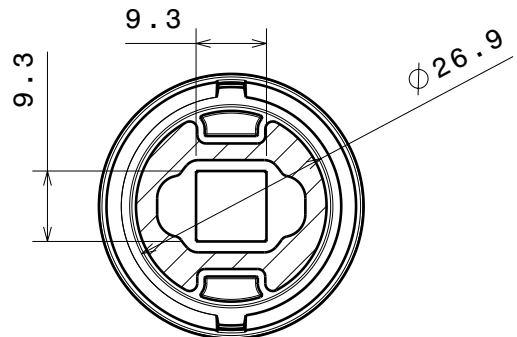
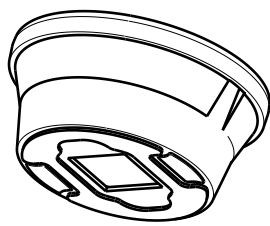
C

B

A

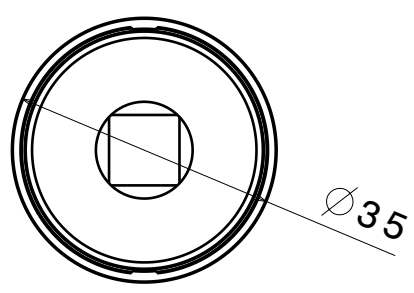
4

4



3

3



2

2

Materials:

- Reflector: PC with metal coating and clear laquer
- Holder: PC, color Black
- Tape: PU Foam with psa-adhesive

This drawing is our property.  
 It can't be reproduced  
 or communicated without  
 our written agreement.



L T F F  
 e e i n  
 i n

DRAWING TITLE  
 Datasheet Minnie MT-G reflector Assy

1

1

DRAWN BY m	DATE 18.02.2011
CHECKED BY h	DATE 18.02.2011
DESIGNED BY hh	DATE 01.01.2011

SIZE A4	DRAWING NUMBER	REV 1
SCALE 1:1	WEIGHT (g)	SHEET 1/1

D

A