

**PLEASE CHECK WWW.MOLEX.COM FOR LATEST PART INFORMATION**

**Part Number:** [0355330200](#)  
**Status:** **Active**  
**Description:** Bulb Socket Single Housing, Type A

**Documents:**

[3D Model](#) [Product Specification PS-35532-001 \(PDF\)](#)  
[Drawing \(PDF\)](#) [RoHS Certificate of Compliance \(PDF\)](#)

**General**

Product Family	Other Sockets
Series	<a href="#">35533</a>
Comments	A-Type
Component Type	Socket
Product Name	Bulb Socket

**Physical**

Circuits (Loaded)	0
Circuits (maximum)	2
Color - Resin	Natural
Durability (mating cycles max)	50
Entry Angle	Vertical
Keying to Mating Part	None
Material - Resin	Nylon
PCB Locator	No
PCB Retention	N/A
Packaging Type	Bag
Pitch - Mating Interface (in)	0.000 In
Pitch - Mating Interface (mm)	0.00 mm
Temperature Range - Operating	-40°C to +105°C

**Electrical**

Current - Maximum per Contact	7A
Voltage - Maximum	300V AC (RMS)/DC

**Material Info**

**Reference - Drawing Numbers**

Product Specification	PS-35532-001
Sales Drawing	SD-35533-001



*image - Reference only*

**EU RoHS**

**ELV and RoHS  
Compliant**  
**REACH SVHC**  
 Not Reviewed  
**Halogen-Free  
Status**

**China RoHS**



**Need more information on product  
environmental compliance?**

Email [productcompliance@molex.com](mailto:productcompliance@molex.com)  
 For a multiple part number RoHS Certificate of  
 Compliance, [click here](#)

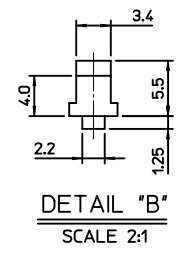
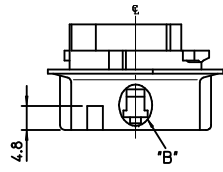
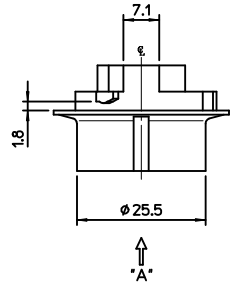
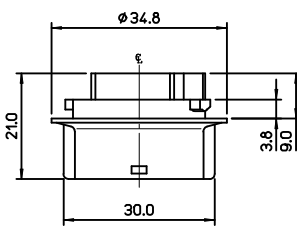
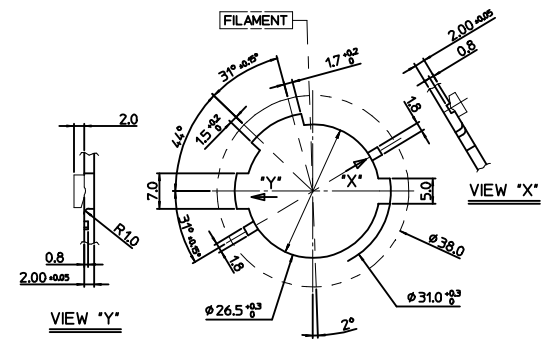
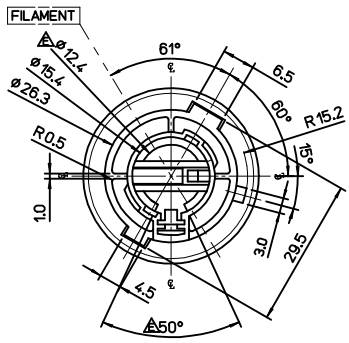
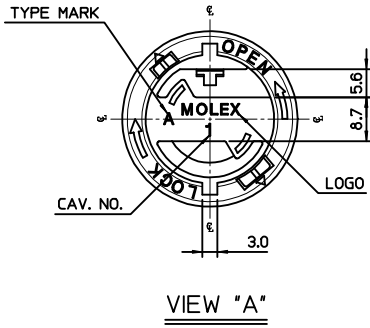
Please visit the [Contact Us](#) section for any  
 non-product compliance questions.

**Search Parts in this Series**

[35533Series](#)

**Use With**

[35438 Positive Termina...](#)



- NOTES
1. FOCAL LENGTH = 31.8mm
  2. APPLICABLE BULB CAP: P21W(BA15s)
  3. MATES WITH

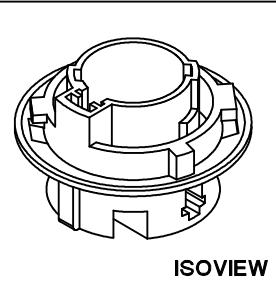
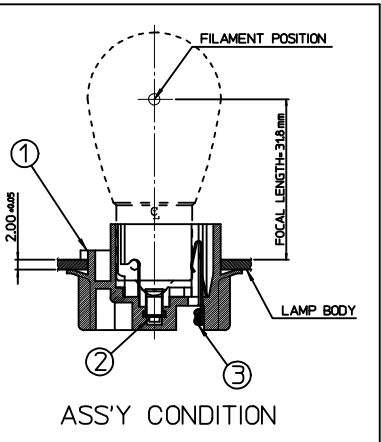
NO.	DESCRIPTION	MATERIAL	ORDER NO.	REMARK
②	POSITIVE TERMINAL	PHOSPHOR BRONZE	35438-8000	UNPLATED
③	EARTH TERMINAL	PHOSPHOR BRONZE	35439-8000	UNPLATED

<PART LIST>

NO.	DESCRIPTION	MATERIAL	USAGE	REMARK
①	SINGLE SOCKET	PA66 M/F	1	A TYPE

<TABLE 1>

MATERIAL NO.	ORDER NO.	COLOR
355330200	35533-0200	NATURAL
355330205	35533-0205	GRAY
355330206	35533-0206	WHITE



CHANGED OF NOTES  
 EC NO: KOR2010-0023  
 DRW: KIM 2009/08/18  
 CHK: B. YOON 2009/08/19  
 APPR: YUN, SIKKIM 2009/08/20

QUALITY SYMBOLS	GENERAL TOLERANCES (UNLESS SPECIFIED)	
	mm	INCH
▽=0	4 PLACES ± ---	± ---
▽=0	3 PLACES ± ---	± ---
	2 PLACES ± 0.2	± ---
	1 PLACE ± 0.3	± ---
	ANGULAR ± 3 °	

DRAFT WHERE APPLICABLE MUST REMAIN WITHIN DIMENSIONS

DIMENSION STYLE		SCALE
MM ONLY		1:1
DRAWN BY	DATE	TITLE
JSKANG	1998/01/31	NON-SEALED BULB SOCKET SINGLE HOUSING ASS'Y (A-TYPE)
CHECKED BY	DATE	
BKCHOI	1998/01/31	
APPROVED BY	DATE	
CWLEE	1998/01/31	
MATERIAL NO.	DOCUMENT NO.	
SEE TABLE 1	SD-35533-001	

DESIGN UNITS: METRIC

THIRD ANGLE PROJECTION

MOLEX INCORPORATED

SHEET NO. 1 OF 1

THIS DRAWING CONTAINS INFORMATION THAT IS PROPRIETARY TO MOLEX INCORPORATED AND SHOULD NOT BE USED WITHOUT WRITTEN PERMISSION