

# Customer Information Sheet

DRAWING No.: H9004-01

SHEET 2 OF 2

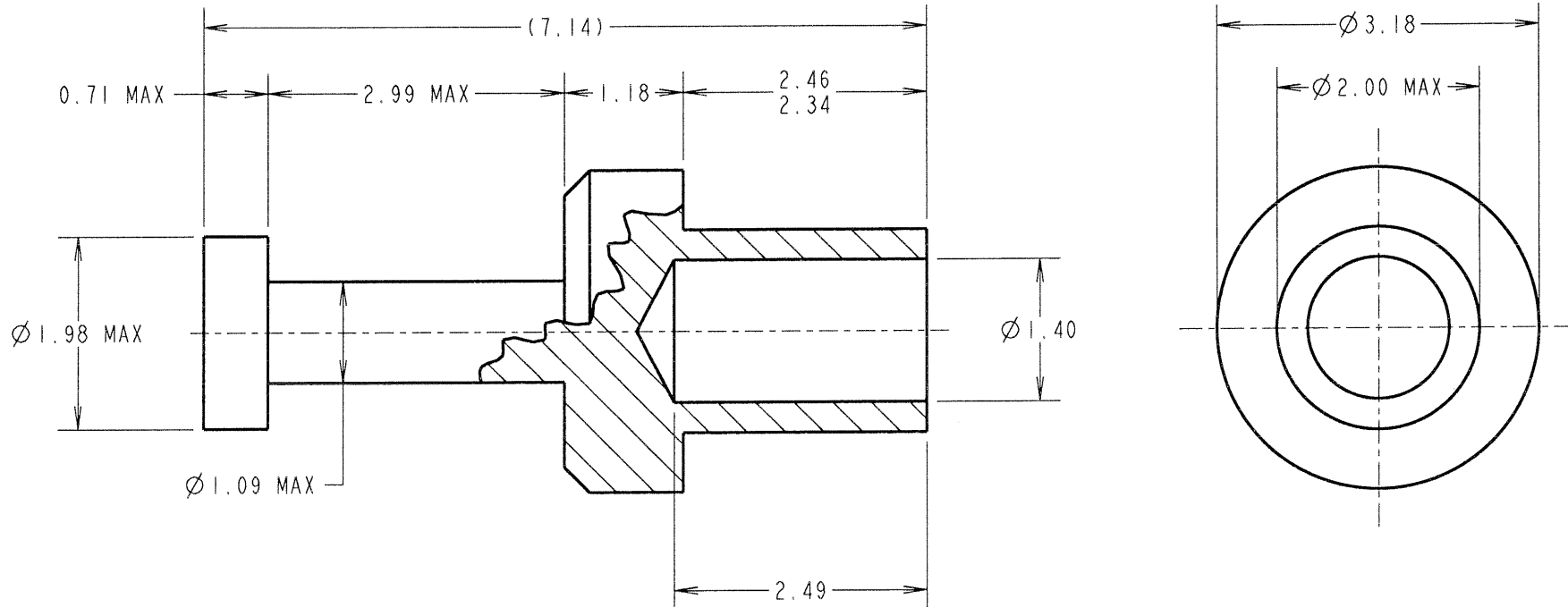
IF IN DOUBT - ASK



NOT TO SCALE

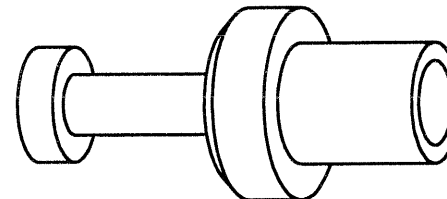
THIRD ANGLE PROJECTION

ALL DIMENSIONS IN mm



NOTES:

1. UNLESS OTHERWISE STATED, TOLERANCES =  $\pm 0.13$
2. USE WITH PUNCH & DIE TOOL PART NUMBER Z9004-00
3. FOR USE WITH BOARD THICKNESS 1.60mm
4. RECOMMENDED HOLE SIZE =  $\varnothing 2.01 / 2.09$ mm



JMB	16	07.02.07	9692
NAME	ISS.	DATE	C/NOTE
APPROVED:			
CHECKED: <i>[Signature]</i>			
DRAWN: JM BROOKES			
CUSTOMER REF.:			
ASSEMBLY DRG:			

**HARWIN**

THIS DRAWING AND ANY INFORMATION OR DESCRIPTIVE MATTER SET OUT HEREON ARE CONFIDENTIAL AND COPYRIGHT PROPERTY OF THE HARWIN GROUP AND MUST NOT BE DISCLOSED, LOANED, COPIED OR USED FOR MANUFACTURING, TENDERING OR FOR ANY OTHER PURPOSE WITHOUT THEIR WRITTEN PERMISSION.

~~TOLERANCES~~  
~~X =  $\pm 1$ mm~~  
~~X.X =  $\pm 0.25$ mm~~  
~~X.XX =  $\pm 0.10$ mm~~  
~~X.XXX =  $\pm 0.01$ mm~~  
~~ANGLES =  $\pm 5^\circ$~~   
 UNLESS STATED

MATERIAL: ANNEALED BRASS  
 CW614N M TO BS EN 12164  
 FINISH: 100% TIN OVER NICKEL  
 S/AREA: mm<sup>2</sup>

TITLE: TERMINAL LUG

DRAWING NUMBER: H9004-01

HARWIN INC U.S.A. TEL: (812) 542 2540 FAX: (812) 542 2541	HARWIN PLC U.K. TEL: 023 9231 4545 FAX: 023 9231 4590	HARWIN PTE SINGAPORE TEL: 65 6779 4909 FAX: 65 6779 3868
--	--	---

SHT  
2 OF 2