

**PLEASE CHECK WWW.MOLEX.COM FOR LATEST PART INFORMATION**

**Part Number:** [0743209033](#)  
**Status:** **Active**  
**Description:** MicroCross™ DVI-I Digital/Analog Visual Interface, PCB Receptacle, PanelMount, Through Hole, Right Angle, 0.76µm (30µ") Gold (Au) Plating, 2.34mm (.092") P.C. Tail Length, with Beveled Metal Pins, 29 Circuits, Lead Free

**Documents:**

[Drawing \(PDF\)](#) [RoHS Certificate of Compliance \(PDF\)](#)

**Agency Certification**

UL E29179

**General**

Product Family I/O Connectors  
 Series [74320](#)  
 Application Wire-to-Board  
 Comments DDWG (Digital Display Working Group) Standard  
 Component Type Receptacle  
 Product Name MicroCross™DVI  
 Type N/A

**Physical**

Boot Color N/A  
 Circuits (Loaded) 29  
 Circuits (maximum) 29  
 Color - Resin Natural  
 Durability (mating cycles max) 100  
 Flammability 94V-0  
 Gender Receptacle  
 Keying to Mating Part Yes  
 Lock to Mating Part Yes  
 Material - Metal Copper Alloy  
 Material - Plating Mating Gold  
 Material - Plating Termination Tin  
 Number of Rows 3  
 Orientation Right Angle  
 PC Tail Length (in) 0.092 In  
 PC Tail Length (mm) 2.34 mm  
 PCB Locator Yes  
 PCB Retention Yes  
 Packaging Type Tray  
 Panel Mount Yes  
 Pitch - Mating Interface (in) 0.075 In  
 Pitch - Mating Interface (mm) 1.91 mm  
 Pitch - Term. Interface (in) 0.075 In  
 Pitch - Term. Interface (mm) 1.91 mm  
 Plating min: Mating (µin) 30  
 Plating min: Mating (µm) 0.76  
 Plating min: Termination (µin) 100  
 Plating min: Termination (µm) 2.50  
 Polarized to Mating Part Yes  
 Polarized to PCB Yes  
 Ports 1  
 Surface Mount Compatible (SMC) No  
 Temperature Range - Operating -20°C to +85°C  
 Termination Interface: Style Through Hole

**EU RoHS**

**ELV and RoHS  
 Compliant**  
**REACH SVHC  
 Not Reviewed**  
**Halogen-Free  
 Status  
 Not Reviewed**

**China RoHS**



**Need more information on product environmental compliance?**

Email [productcompliance@molex.com](mailto:productcompliance@molex.com)  
 For a multiple part number RoHS Certificate of Compliance, [click here](#)

Please visit the [Contact Us](#) section for any non-product compliance questions.

**Search Parts in this Series**

[74320Series](#)

**Mates With**

[88744](#) , [74323](#)

Waterproof / Dustproof	No
Wire Size AWG	N/A
<b>Electrical</b>	
Current - Maximum per Contact	3A
Grounding to Panel	Yes
Shield Type	Full Shield
Shielded	Yes
Voltage - Maximum	40V AC (RMS)

#### **Material Info**

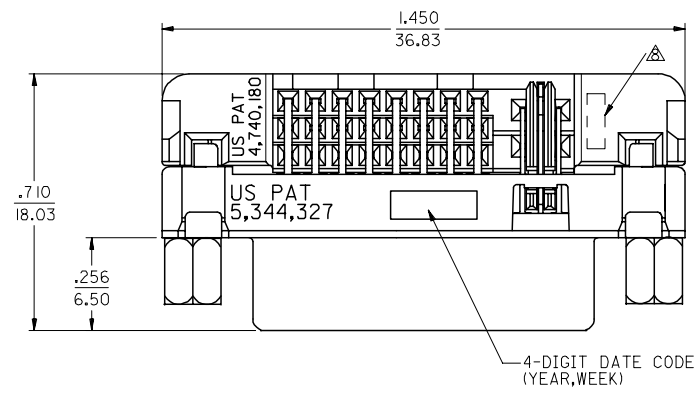
#### **Reference - Drawing Numbers**

Packaging Specification	PK-74320-010
Sales Drawing	SD-74320-025

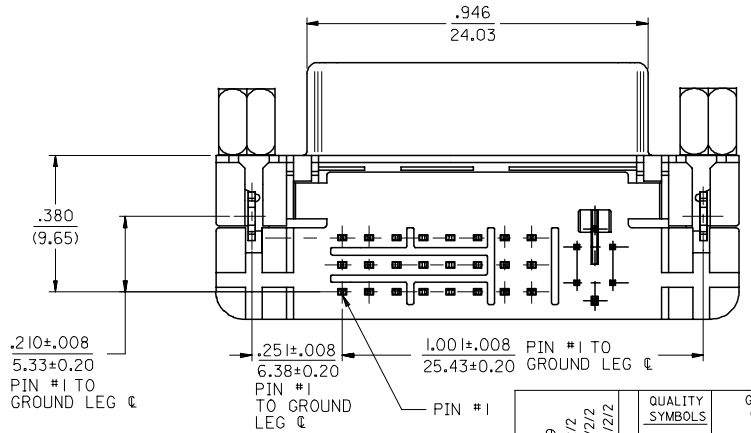
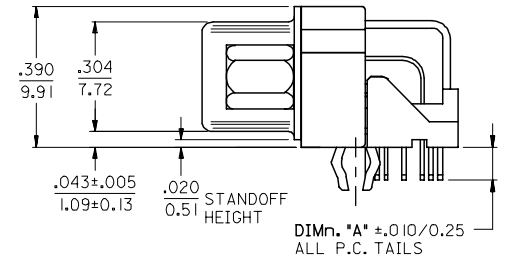
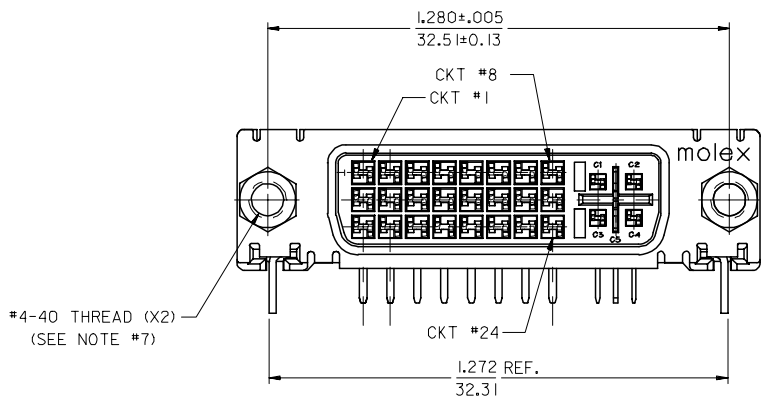
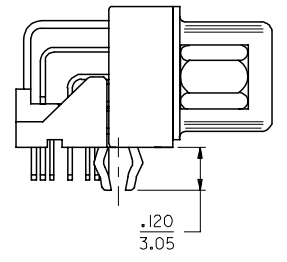
This document was generated on 05/10/2010

**PLEASE CHECK [WWW.MOLEX.COM](http://WWW.MOLEX.COM) FOR LATEST PART INFORMATION**

PART NUMBER	DIM "A"	PLATING OPTION
74320-9034	.092/2.34	2
74320-9033	.092/2.34	1

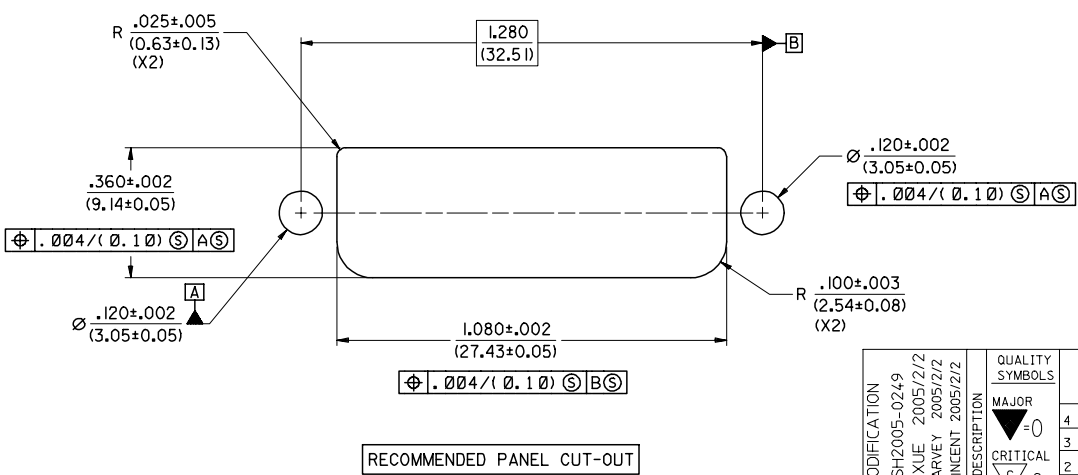
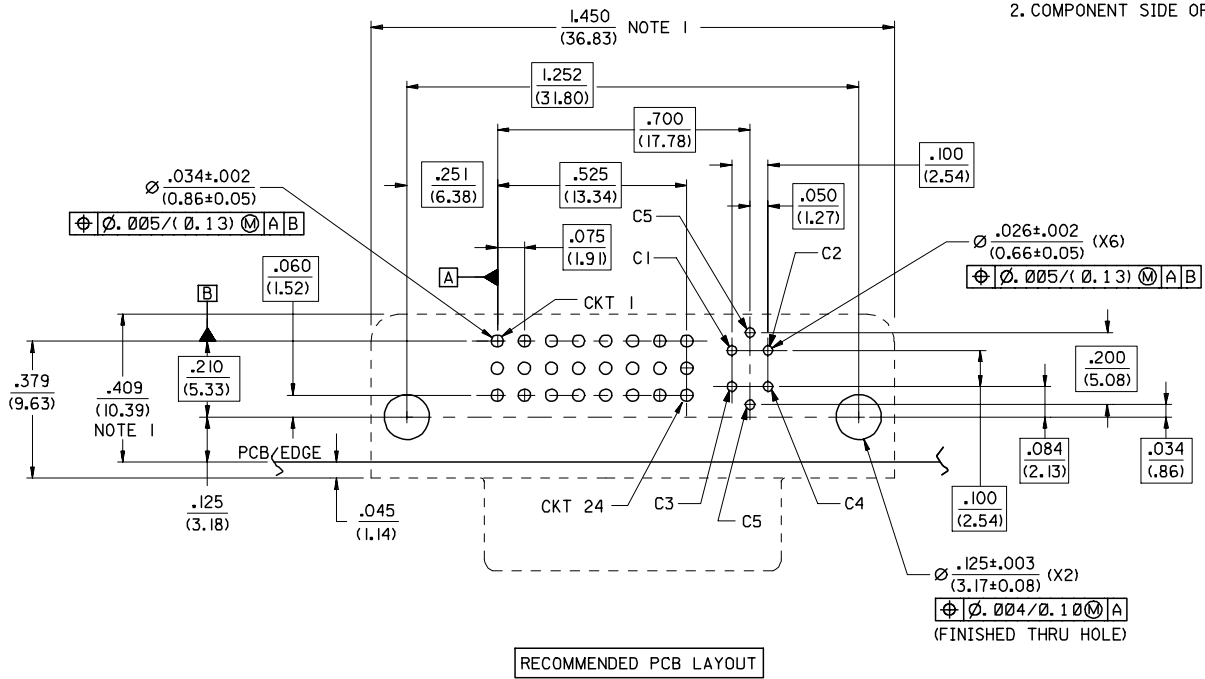


- NOTES:
- MATERIALS:  
SHIELD -- DEEP DRAW STEEL.  
HOUSING -- GLASS FILLED POLYMER, WHITE/NATURAL, UL 94V-0.  
TAIL ALIGNER -- GLASS FILLED POLYMER, WHITE/NATURAL, UL 94V-0.  
CONTACTS -- COPPER ALLOY.  
MICROCROSS GROUND -- COPPER ALLOY.
  - PLATING: SEE SHEET 2
  - PRODUCT CONFORMS TO MOLEX PRODUCT SPECIFICATION NUMBER PS-74320-001.
  - SEE SHEET 2 FOR RECOMMENDED PANEL CUT-OUT AND P.C.B. LAYOUT.
  - PARTS WILL BE PACKAGED IN TRAYS PER PK-74320-044.
  - PRODUCT CONFORMS TO DDWG DVI SPECIFICATION. REFER TO THIS SPECIFICATION FOR CONNECTOR MATING DIMENSIONS.
  - MOUNTING HARDWARE IS MOLEX P/N 88780-6066. REFER TO PRODUCT SPECIFICATION NUMBER PS-74320-001 FOR THE APPLICATION TORQUE REQUIREMENT FOR ASSEMBLING MOUNTING HARDWARE.
- △ CAVITY NO. AND MANUFACTURING PLANT CODE.



MODIFICATION	DESCRIPTION	QUALITY SYMBOLS	GENERAL TOLERANCES: (UNLESS SPECIFIED)		SCALE 4 : 1	DESIGN UNITS <input type="checkbox"/> mm <input checked="" type="checkbox"/> INCH	DRAWN BY & DATE TONY ZHANG 03/03/04	TITLE: DVI - I RIGHT ANGLE RECEPTACLE CONNECTOR W/FORKLOCK	DIMENSIONS:		SHT	REV
			mm	INCH					<input type="checkbox"/> mm <input checked="" type="checkbox"/> INCH	<input type="checkbox"/> mm ONLY		
EC NO. SH2005-0249	DRWG: DXUE 2005/2/2	MAJOR	4 PLACES	±0.---	±.---		CHECKED BY & DATE WU YAJUN 03/03/18	<input checked="" type="checkbox"/> THIRD ANGLE PROJECTION MOLEX INCORPORATED	MATERIAL NO.	DRAWING NO.	SHEET NO.	
CHK: HARVEY 2005/2/2	APPR: VINCENT 2005/2/2	CRITICAL	3 PLACES	±0.---	±.010		APPROVED BY & DATE SAM HUANG 03/03/24		SEE CHART	SD-74320-025	1 OF 2	
REV		ANGULAR: ± °	2 PLACES	±0.25	±.010		CAD FILENAME SD74320025.S01					
DRAFT WHERE APPLICABLE MUST REMAIN WITHIN DIMENSIONS			THIS DRAWING CONTAINS INFORMATION THAT IS PROPRIETARY TO MOLEX INCORPORATED AND SHOULD NOT BE USED WITHOUT WRITTEN PERMISSION.			SIZE C						

NOTES:  
 1. THESE DIMENSIONS REPRESENT CONNECTOR OVERLAY ON PCB.  
 2. COMPONENT SIDE OF PCB SHOWN.



NOTE:  
 1. PANEL THICKNESS: .030" - .040".

**PLATING OPTIONS:**  
**PLATING OPTION #1:**  
 OUTER SHIELD -- 150u"/(3.75um) MIN. BRIGHT TIN OVER 50u"/(1.27um) MIN. NICKEL OVER COPPER FLASH  
 .075"/(1.91mm) CONTACTS -- 30u"/(0.75um) MIN. SELECT GOLD AND 100u"/(2.50um) MIN. SELECT PURE TIN OVER 50u"/(1.27um) MIN. NICKEL OVERALL.  
**PLATING OPTION #2:**  
 OUTER SHIELD -- 150u"/(3.75um) MIN. BRIGHT TIN OVER 50u"/(1.27um) MIN. NICKEL OVER COPPER FLASH  
 .075"/(1.91mm) CONTACTS -- SELECT GOLD FLASH AND 100u"/(2.50um) MIN. SELECT PURE TIN OVER 50u"/(1.27um) MIN. NICKEL OVERALL.

MODIFICATION EC No. SH2005-0249 DRWN DXUE 2005/2/2 CHK: HARVEY 2005/2/2 APPR: VINCENT 2005/2/2	QUALITY SYMBOLS MAJOR CRITICAL	GENERAL TOLERANCES: (UNLESS SPECIFIED)		SCALE 4 : 1	DESIGN UNITS <input type="checkbox"/> mm <input checked="" type="checkbox"/> INCH	DIMENSIONS: <input type="checkbox"/> INCH ONLY <input type="checkbox"/> SHT <input type="checkbox"/> REV <input checked="" type="checkbox"/> mm <input checked="" type="checkbox"/> INCH <input type="checkbox"/> mm ONLY <input type="checkbox"/> mm ONLY <input type="checkbox"/> REVISE ON CAD ONLY	
		DRAWN BY & DATE TONY ZHANG 03/03/04		TITLE: DVI - I			
		CHECKED BY & DATE WU YAJUN 03/03/18		RIGHT ANGLE W/FORKLOCK RECEPTACLE CONNECTOR			
		APPROVED BY & DATE SAM HUANG 03/03/24		MOLEX INCORPORATED			
REV	DESCRIPTION	ANGULAR: ± °		CAD FILENAME SD74320025.S02	MATERIAL NO. SEE SHEET 1	DRAWING NO. SD-74320-025	SHEET NO. 2
DRAFT WHERE APPLICABLE MUST REMAIN WITHIN DIMENSIONS				THIS DRAWING CONTAINS INFORMATION THAT IS PROPRIETARY TO MOLEX INCORPORATED AND SHOULD NOT BE USED WITHOUT WRITTEN PERMISSION.			SIZE C