



SANYO Semiconductors

# DATA SHEET

## LA6548NH — Monolithic Linear IC For CD Players and Recorders Four-Channel Driver IC

### Overview

The LA6548NH is a four-channel driver IC for CD players and recorders (four BTL amplifier channels).

### Functions

- Four BTL connection power amplifier channels
- $I_O$  max 0.7A
- Built-in level shifters
- Muting circuit (on/off control of all outputs)  
(This circuit applies to the BTL amplifier circuits. It does not control operation of the regulator.)
- Built-in regulator (provides a 3.3V output using an external pnp transistor)
- Thermal protection circuit (thermal shutdown circuit)

### Specifications

Maximum Ratings at  $T_a = 25^\circ\text{C}$

Parameter	Symbol	Conditions	Ratings	Unit
Supply voltage	$V_{CC}$ max		14	V
Maximum output current	$I_O$ max	For each of the channel 1 to 4 outputs	0.7	A
Maximum input voltage	$V_{IN}$		13	V
Muting pin application voltage	VMUTE		13	V
Allowable power dissipation	Pd max	Independent IC	0.8	W
		Specified circuit board *	1.8	W
Operating temperature	Topr		-20 to +75	$^\circ\text{C}$
Storage temperature	Tstg		-55 to +150	$^\circ\text{C}$

\* Specified substrate : 76.1mm×114.3mm×1.6mm, glass epoxy board.

■ Any and all SANYO Semiconductor Co.,Ltd. products described or contained herein are, with regard to "standard application", intended for the use as general electronics equipment (home appliances, AV equipment, communication device, office equipment, industrial equipment etc.). The products mentioned herein shall not be intended for use for any "special application" (medical equipment whose purpose is to sustain life, aerospace instrument, nuclear control device, burning appliances, transportation machine, traffic signal system, safety equipment etc.) that shall require extremely high level of reliability and can directly threaten human lives in case of failure or malfunction of the product or may cause harm to human bodies, nor shall they grant any guarantee thereof. If you should intend to use our products for applications outside the standard applications of our customer who is considering such use and/or outside the scope of our intended standard applications, please consult with us prior to the intended use. If there is no consultation or inquiry before the intended use, our customer shall be solely responsible for the use.

■ Specifications of any and all SANYO Semiconductor Co.,Ltd. products described or contained herein stipulate the performance, characteristics, and functions of the described products in the independent state, and are not guarantees of the performance, characteristics, and functions of the described products as mounted in the customer's products or equipment. To verify symptoms and states that cannot be evaluated in an independent device, the customer should always evaluate and test devices mounted in the customer's products or equipment.

**SANYO Semiconductor Co., Ltd.**

TOKYO OFFICE Tokyo Bldg., 1-10, 1 Chome, Ueno, Taito-ku, TOKYO, 110-8534 JAPAN

# LA6548NH

## Recommended Operating Conditions at $T_a = 25^\circ\text{C}$

Parameter	Symbol	Conditions	Ratings	Unit
Supply voltage 1	$V_{CC1}$		4.6 to 13	V
Supply voltage 2	$V_{CC2}$	Only used by the BTL amplifiers (Not used by the 3.3V regulator circuit)	3.9 to 13	V

## Electrical Characteristics at $T_a = 25^\circ\text{C}$ , $V_{CC1} = V_{CC2} = 6\text{V}$ , $V_{REF} = 1.65\text{V}$ , unless otherwise specified.

Parameter	Symbol	Conditions	Ratings			Unit
			min	typ	max	
<b>Overall Characteristics</b>						
No-load current drain, on state	$I_{CCON}$	All outputs on, MUTE : high		20	40	mA
No-load current drain, off state	$I_{CCOFF}$	All outputs off, MUTE : low		15	35	mA
Thermal shutdown circuit operating temperature	TSD	(Design guarantee value *1)	150	175	200	$^\circ\text{C}$
<b>Output Amplifier Block</b>						
Output offset voltage	$V_{OFF}$	The voltage difference between each of the + or - outputs.	-50		50	mV
$V_{REF}$ input voltage range	$V_{IN}V_{REF}$		1.3		$V_{CC}-1.5$	V
Output voltage	$V_O$	The voltage across the outputs when $R_L = 8\Omega$	2.6	3		V
Voltage gain, input to output	VG	The voltage gain from an input to the corresponding +/- outputs.*2		9		dB
Slew rate	SR	(Design guarantee value *1)		0.15		V/ $\mu\text{s}$
Muting on voltage	$V_{MUTE}$	The voltage at which the output on/off state changes		1.2		V
<b>Power Supply Block (Using a 2SB632K)</b>						
3.3V power supply voltage		$I_O = 200\text{mA}$	3.13	3.3	3.47	V
Line regulation	$\Delta V_{OLIN}$	$4.6\text{V} \leq V_{CC} \leq 12\text{V}$		40	100	mV
Load regulation	$\Delta V_{OLOAD}$	$5\text{mA} \leq I_O \leq 200\text{mA}$		50	150	mV
<b>Reset Block</b>						
RESET pin high-level voltage	$V_{ORH}$		3.08	3.25	3.42	V
RESET pin low-level voltage	$V_{ORL}$	$I_{SRL} = 2\text{mA}$ , Cd-GND		100	200	mV
RESET pin threshold voltage	$V_{RT}$	*4		2.8		V
RESET pin hysteresis	$V_{HYS}$	*5	40	80	160	mV
RESET pin output delay time	td	Cd = $0.1\mu\text{F}$		10		ms

\*1 : These parameters are not tested.

\*2 : The gain from input to output when only the  $V_{IN}^*$  pins are used.

\*3 : The MUTE pin voltage when the output changes between the on and off states. When the MUTE pin is high, all the BTL amplifiers will be on, and when the MUTE pin is low, all the BTL amplifiers will be off.

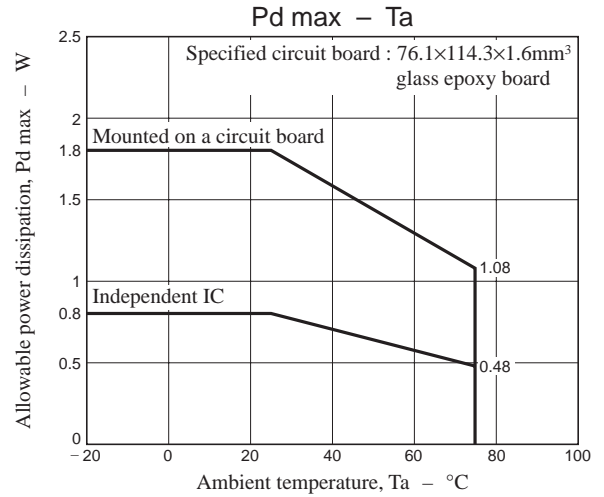
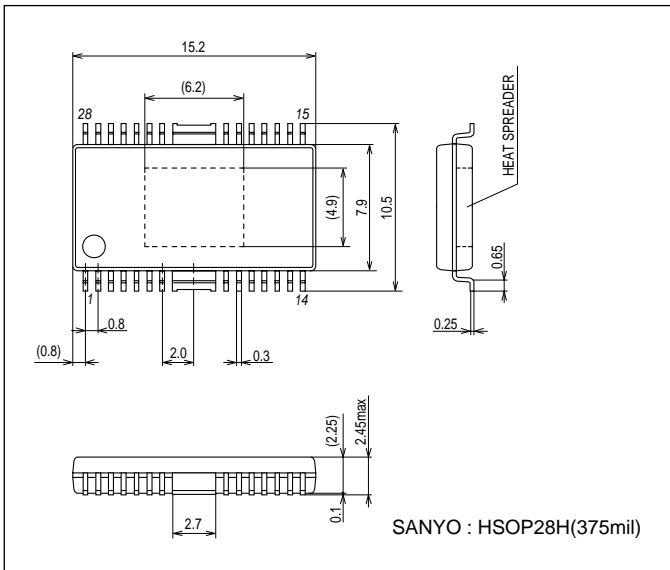
\*4 : The 3.3V regulator voltage when the RESET pin goes from high to low.

\*5 : The 3.3V regulator voltage difference between the RESET pin going from high to low and the RESET pin going from low to high. That is, the hysteresis.

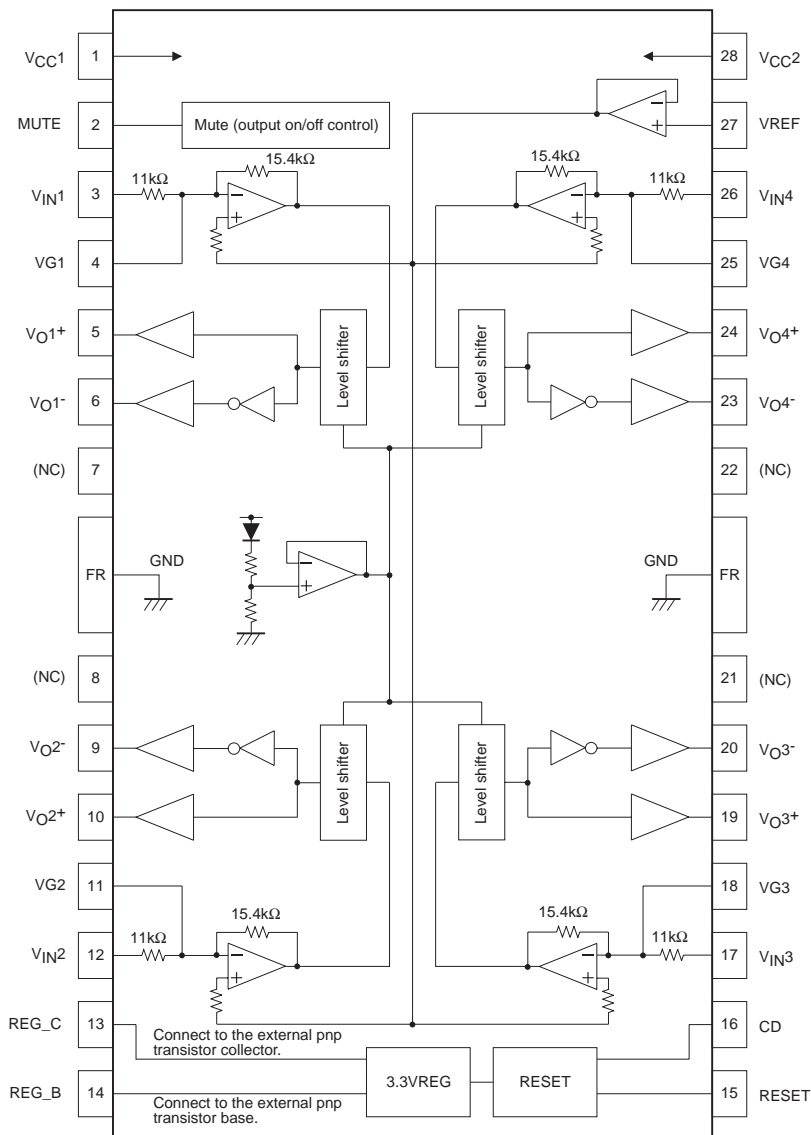
# LA6548NH

## Package Dimensions

unit : mm (typ)  
3233B



## Block Diagram



# LA6548NH

## Pin Functions

Pin No.	Pin	Description
1	V <sub>CC1</sub>	Power supply (This pin is shorted to V <sub>CC2</sub> (pin 28))
2	MUTE	Output on/off control
3	V <sub>IN1</sub>	Channel 1 input
4	VG1	Channel 1 input (Gain setting)
5	V <sub>O1+</sub>	Channel 1 output (+)
6	V <sub>O1-</sub>	Channel 1 output (-)
7	(NC)	(This pin must not be used.)
8	(NC)	(This pin must not be used.)
9	V <sub>O2-</sub>	Channel 2 output (-)
10	V <sub>O2+</sub>	Channel 2 output (+)
11	VG2	Channel 2 input (Gain setting)
12	V <sub>IN2</sub>	Channel 2 input
13	REG_C	Connect this pin to the external pnp transistor collector. (This is the 3.3V regulator output)
14	REG_B	Connect this pin to the external pnp transistor base.
15	RESET	Reset output
16	CD	Connection for the reset delay time setting capacitor
17	V <sub>IN3</sub>	Channel 3 input
18	VG3	Channel 3 input (Gain setting)
19	V <sub>O3+</sub>	Channel 3 output (+)
20	V <sub>O3-</sub>	Channel 3 output (-)
21	(NC)	(This pin must not be used.)
22	(NC)	(This pin must not be used.)
23	V <sub>O4-</sub>	Channel 4 output (-)
24	V <sub>O4+</sub>	Channel 4 output (+)
25	VG4	Channel 4 input (Gain setting)
26	V <sub>IN4</sub>	Channel 4 input
27	VREF	Reference voltage input
28	V <sub>CC2</sub>	Power supply (This pin is shorted to V <sub>CC1</sub> (pin 1))

## Equivalent Circuits

Pin No.	Pin	Description	Equivalent circuit
3 4 12 11 17 18 26 25	V <sub>IN1</sub> VG1 V <sub>IN2</sub> VG2 V <sub>IN3</sub> VG3 V <sub>IN4</sub> VG4	Input pins.	
5 6 10 9 19 20 24 23	V <sub>O1+</sub> V <sub>O1-</sub> V <sub>O2+</sub> V <sub>O2-</sub> V <sub>O3+</sub> V <sub>O3-</sub> V <sub>O4+</sub> V <sub>O4-</sub>	Output pins.	

Continued on next page.

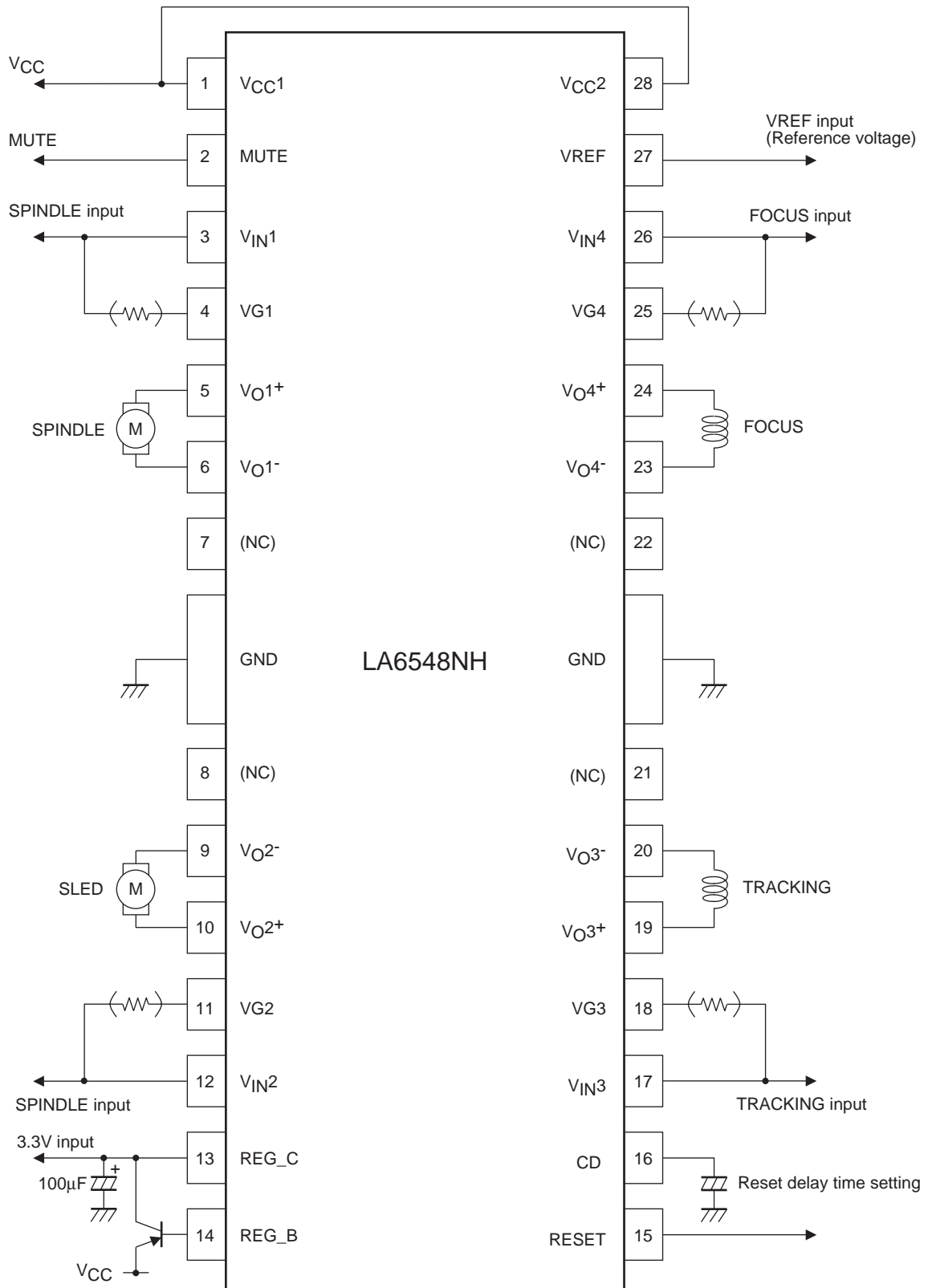
# LA6548NH

Continued from preceding page.

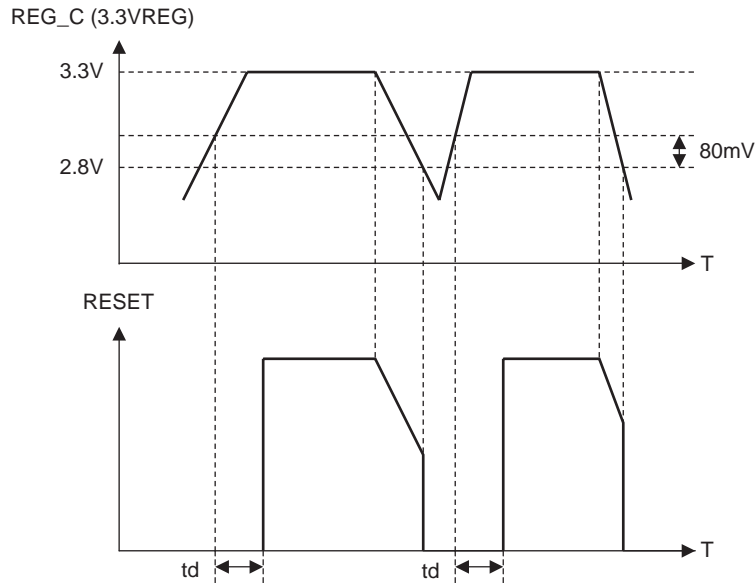
Pin No.	Pin	Description	Equivalent circuit
2	MUTE	<p>Muting control input.</p> <p>The outputs will be on when the MUTE pin is at the high level.</p> <p>The outputs will be off when the MUTE pin is at the low level ; in particular, the outputs go to the high-impedance state at this time.</p>	
27	VREF	Reference voltage input.	
15	RESET	<p>Reset output.</p> <p>When REG C (3.3VREG) is high, RESET will be high.</p> <p>When REG C (3.3VREG) is low, RESET will be low.</p> <p>Details of Operating voltage see section Reset operation.</p>	
16	CD	<p>Reset output delay time setting.</p> <p>The delay time until the point the reset output switches from low to high is set by the capacitor connected between this pin and ground.</p> <p>Reference to Reset operation.</p>	

# LA6548NH

## Application Circuit Example



## Reset Operation



\*1 :  $t_d$  is the delay time. It is set by an external capacitor connected between the CD pin and ground).

\*2 : The voltage at which RESET changes state is a typical value (voltage).

- SANYO Semiconductor Co.,Ltd. assumes no responsibility for equipment failures that result from using products at values that exceed, even momentarily, rated values (such as maximum ratings, operating condition ranges, or other parameters) listed in products specifications of any and all SANYO Semiconductor Co.,Ltd. products described or contained herein.
- SANYO Semiconductor Co.,Ltd. strives to supply high-quality high-reliability products, however, any and all semiconductor products fail or malfunction with some probability. It is possible that these probabilistic failures or malfunction could give rise to accidents or events that could endanger human lives, trouble that could give rise to smoke or fire, or accidents that could cause damage to other property. When designing equipment, adopt safety measures so that these kinds of accidents or events cannot occur. Such measures include but are not limited to protective circuits and error prevention circuits for safe design, redundant design, and structural design.
- In the event that any or all SANYO Semiconductor Co.,Ltd. products described or contained herein are controlled under any of applicable local export control laws and regulations, such products may require the export license from the authorities concerned in accordance with the above law.
- No part of this publication may be reproduced or transmitted in any form or by any means, electronic or mechanical, including photocopying and recording, or any information storage or retrieval system, or otherwise, without the prior written consent of SANYO Semiconductor Co.,Ltd.
- Any and all information described or contained herein are subject to change without notice due to product/technology improvement, etc. When designing equipment, refer to the "Delivery Specification" for the SANYO Semiconductor Co.,Ltd. product that you intend to use.
- Information (including circuit diagrams and circuit parameters) herein is for example only; it is not guaranteed for volume production.
- Upon using the technical information or products described herein, neither warranty nor license shall be granted with regard to intellectual property rights or any other rights of SANYO Semiconductor Co.,Ltd. or any third party. SANYO Semiconductor Co.,Ltd. shall not be liable for any claim or suits with regard to a third party's intellectual property rights which has resulted from the use of the technical information and products mentioned above.

This catalog provides information as of April, 2007. Specifications and information herein are subject to change without notice.