

DASH NO.	M CODE	MADE FROM
----------	--------	-----------

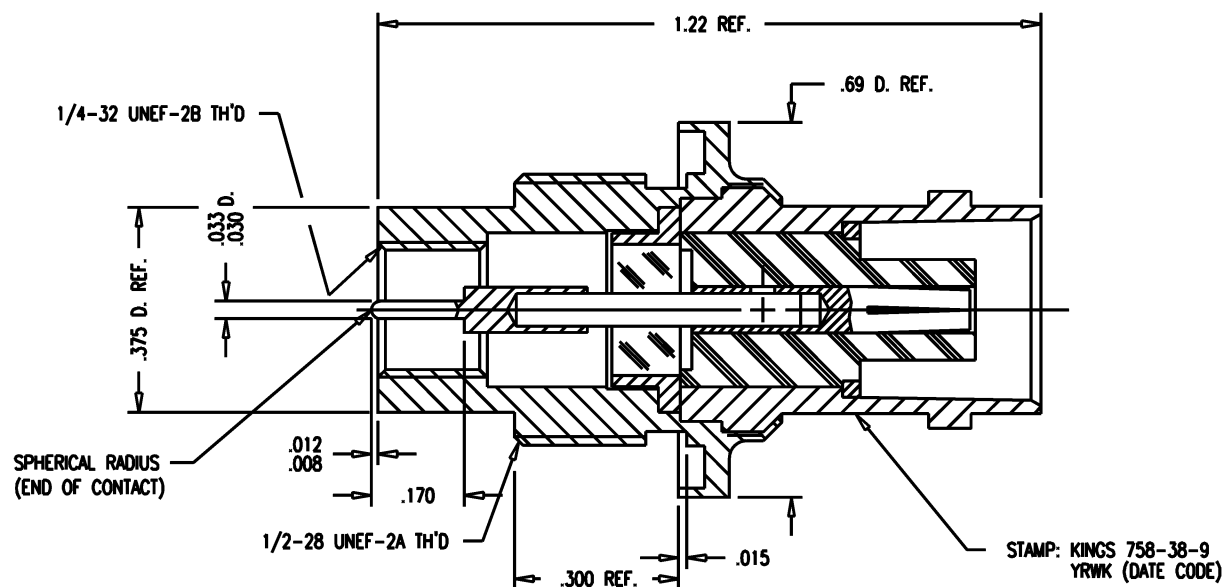
# GSD

758-38-9

### REVISIONS

ISSUE	CHANGES
0	ER 39186 JPK 10/25/04

758389S



#### NOTES:

- BNC INTERFACE PER MIL-STD-348, FIG. 301-2.
- MATERIALS:  
INSULATOR: TEFLON, ASTM-D-1457  
CENTER CONTACT: BER. COPPER, ASTM-B-196  
GLASS SEAL: CONDUCTOR: NICKEL-IRON ALLOY (KOVAR)  
GLASS: COMPRESSED  
ALL OTHER METAL PARTS: BRASS, QQ-B-626
- FINISHES:  
FEMALE CONTACT } HARD GOLD PLATE PER MIL-G-45204  
MALE CONTACT }  
ALL OTHER METAL PARTS: KINGS TARNISH RESISTANT FINISH (TR-5)
- ELECTRICAL CHARACTERISTICS:  
NOMINAL IMPEDANCE: 50 OHMS  
WORKING VOLTAGE: 500 VRMS  
FREQUENCY RANGE: DC TO 4 GHz.
- ENVIRONMENTAL CHARACTERISTICS:  
LEAKAGE RATE SHALL NOT EXCEED  $5 \times 10^{-9}$  CC/SEC OF TRACER GAS AT ATMOSPHERIC PRESSURE.

SCALE 4:1	
APPROX SURFACE AREA	
WAS: E-16631	
USED ON	
REF: CANBERRA DWG. NO. B-18577 REV. G	
ADAPTER, F-F, BULKHEAD, HERM. SEALED, BNC	
DRAWN J. KENNEDY	DATE 10/25/04
DESIGN MJB	DATE 11/07/90
APPR.	DATE

**KINGS**  
ELECTRONICS CO., INC.  
ROCK HILL, SOUTH CAROLINA 29715

# GSD

758-38-9