

|      |      |       |      |                                      |      |
|------|------|-------|------|--------------------------------------|------|
| 30.5 | 29.3 | 25.65 | 24.5 | 54104-5031                           | 50   |
| 28.5 | 27.3 | 23.65 | 22.5 | 54104-4631                           | 46   |
| 28.0 | 26.8 | 23.15 | 22.0 | 54104-4531                           | 45   |
| 27.5 | 26.3 | 22.65 | 21.5 | 54104-4431                           | 44   |
| 27.0 | 25.8 | 22.15 | 21.0 | 54104-4331                           | 43   |
| 25.5 | 24.3 | 20.65 | 19.5 | 54104-4031                           | 40   |
| 24.5 | 23.3 | 19.65 | 18.5 | 54104-3831                           | 38   |
| 23.5 | 22.3 | 18.65 | 17.5 | 54104-3631                           | 36   |
| 23.0 | 21.8 | 18.15 | 17.0 | 54104-3531                           | 35   |
| 22.5 | 21.3 | 17.65 | 16.5 | 54104-3431                           | 34   |
| 22.0 | 20.8 | 17.15 | 16.0 | 54104-3331                           | 33   |
| 21.5 | 20.3 | 16.65 | 15.5 | 54104-3231                           | 32   |
| 20.5 | 19.3 | 15.65 | 14.5 | 54104-3031                           | 30   |
| D    | C    | B     | A    | EMBOSSED PACKAGE<br>ORDER NO.オオーダー番号 | CKT. |

CONNECTOR SERIES NO. : 54104-\*\*-29

|   |                                       |  |                 |              |   |  |  |
|---|---------------------------------------|--|-----------------|--------------|---|--|--|
| REVISED<br>EC NO: J2012-1496<br>DRWN:KNAGUMO 2012/06/12<br>CHKD:KAKAHASHI 2012/06/12<br>APPR:KMORIKAWA 2012/06/12 | GENERAL TOLERANCES (UNLESS SPECIFIED) |  | DIMENSION STYLE | SCALE        | DESIGN UNITS  | THIRD ANGLE PROJECTION   |  |
|   |                                       |  | MM ONLY         | ---          | METRIC  |  |  |
|   | 10 UNDER                              | ±0.2   | DRAWN BY        | DATE         | TITLE   | 0.5 FPC CONN. ZIF SMT<br>R/A UPPER CONTACT<br>SEPARATED GOLD PLATING<br><b>molex</b><br>SD-54104-077<br>SHEET NO. 1 OF 2 |  |
|   | 10 OVER 30 UNDER                      | ±0.25  | MNABE I         | '04/07/09    |   |  |  |
| 30 OVER   | ±0.3                                  | CHECKED BY   | DATE            |              |   |  |  |
| ANGULAR   | ±3 °                                  | KTOJO  | '04/07/09       |              |   |  |  |
| REV   | DESCRIPTION                           | DRAFT WHERE APPLICABLE MUST REMAIN WITHIN DIMENSIONS |                 | APPROVED BY  | DATE  |  |  |
|   |                                       |  |                 | NUKITA       | '04/07/09   |  |  |
|   |                                       |  |                 | MATERIAL NO. | DOCUMENT NO.  |  |  |
|   |                                       |  |                 | SEE TABLE    |   |  |  |
|   |                                       |  |                 | SIZE         | THIS DRAWING CONTAINS INFORMATION THAT IS PROPRIETARY TO MOLEX INCORPORATED AND SHOULD NOT BE USED WITHOUT WRITTEN PERMISSION |  |  |
|   |                                       |  |                 | A3           |   |  |  |

F

E

D

C

B

A

F

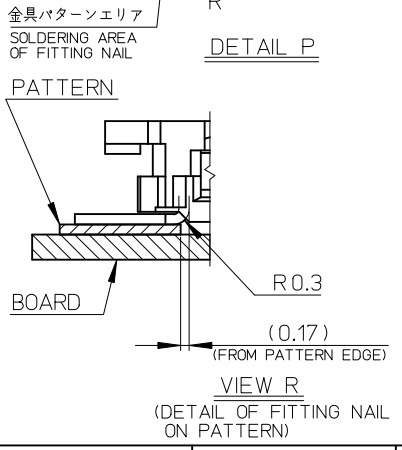
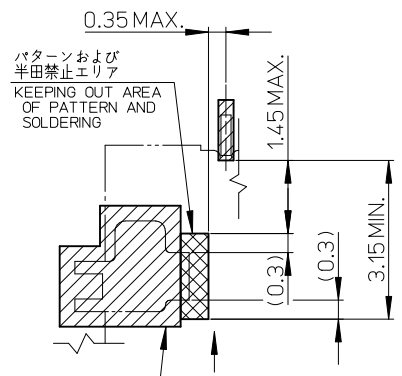
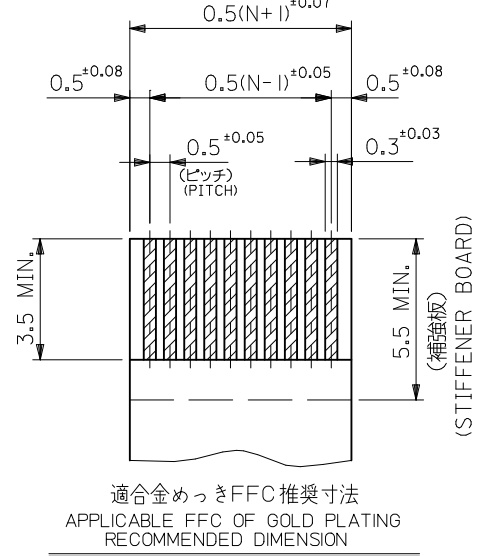
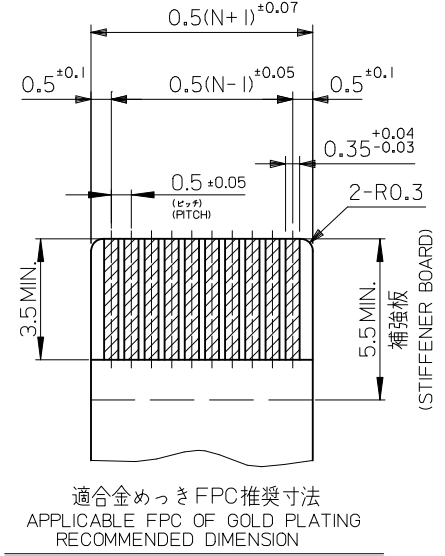
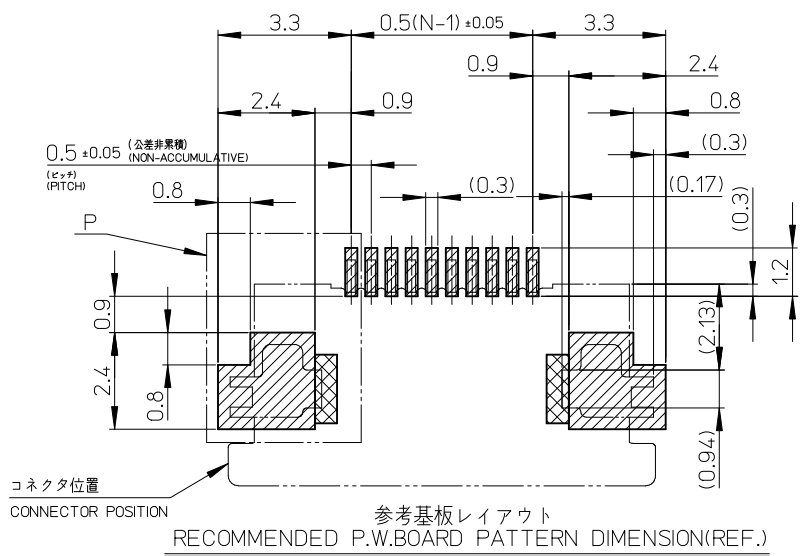
E

D

C

B

A



(マウント面)  
(MOUNTING SIDE)

(仕上がり厚さ : 0.3 ± 0.03 )  
(THICKNESS : 0.3 ± 0.03)

(仕上がり厚さ : 0.3 ± 0.03 )  
(THICKNESS : 0.3 ± 0.03)

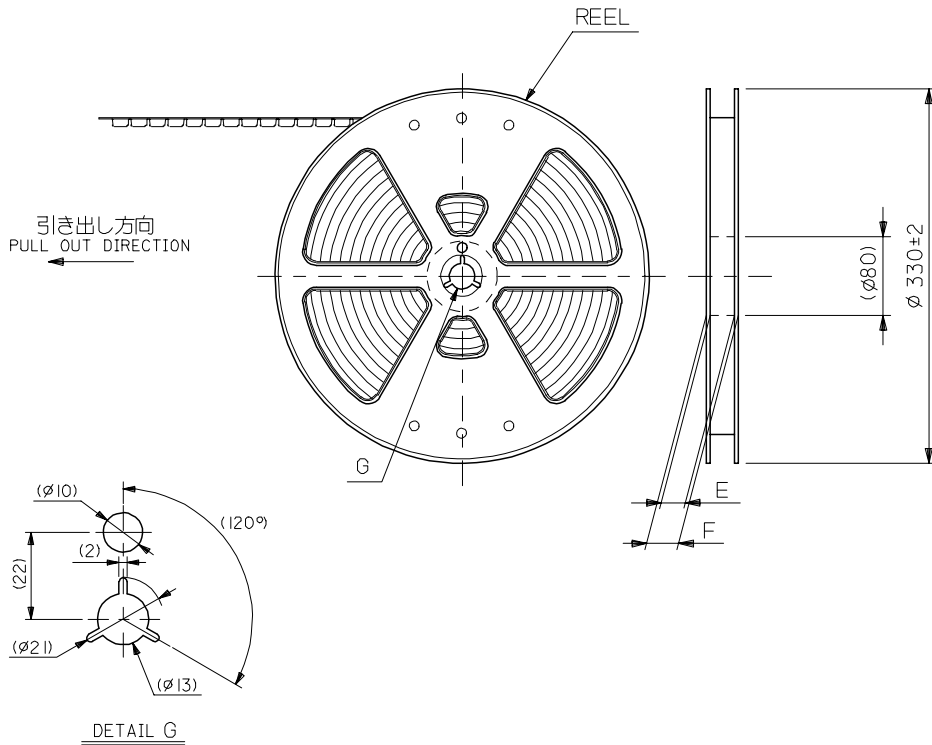
注記 NOTES

1. 使用材料 MATERIAL  
ハウジング : 46ナイロン、ガラス充填、UL94V-0、白  
HOUSING: PA46, GLASS FILLED, UL94V-0, WHITE  
アクチュエータ: ポリフェニレンサルファイド (PPS)、ガラス充填、UL94V-0、茶色  
ACTUATOR: POLYPHENYLENE SULFIDE, GLASS FILLED, UL94V-0, BROWN  
ターミナル : リン青銅 (t=0.2) 金メッキ コンタクト部 0.1 MICROMETER MINIMUM  
テール部 0.05 MICROMETER MINIMUM  
ニッケル下地 1.0 MICROMETER MINIMUM  
TERMINAL PHOS-BRONZE GOLD-PLATING  
CONTACT PORTION : 0.1 MICROMETER MINIMUM  
TAIL PORTION : 0.05 MICROMETER MINIMUM  
NICKEL PLATING : 1.0 MICROMETER MINIMUM  
金具 : リン青銅 (t=0.2) 錫メッキ 1.0~3.0 MICROMETER MINIMUM  
ニッケル下地 1.0~3.0 MICROMETER MINIMUM  
FITTING NAIL : PHOS-BRONZE TIN-PLATING 1.0~3.0 MICROMETER MINIMUM  
OVER NICKEL 1.0~3.0 MICROMETER MINIMUM
2. エンボステープ梱包時はアクチュエータがロックした状態とする。  
IN THE PACKAGE, ACTUATOR OF PART NO.54104-\*\*\*29 SHOULD BE LOCKED.  
ソルダータール半田付け面のズレ量、および金具半田付け面のズレ量は  
基準面 (H) に対し上方向 0.1MAXIMUM、下方向 0.15MAXIMUMとする。  
MISALIGNMENT OF SOLDER TAILS AND FITTING NAILS FROM (H)  
UPPER DIRECTION : 0.1MAXIMUM, LOWER DIRECTION : 0.15 MAXIMUM.

- 4. 偶数極に適用。  
APPLY FOR EVEN CIRCUIT.
  - 5. パターンはく離止め金具。  
FITTING NAIL FOR PREVENTION OF PEELING OF P.W.BOARD PATTERN.
  - 6. ELV & RoHS適合品  
ELV AND RoHS COMPLIANT
- FPC/FFCについて :  
打ち抜き方向は導体側から補強板側を推奨いたします。  
導体部は軟銅箔 35MICROMETER または 50MICROMETERを推奨いたします。  
RECOMMENDED PUNCHER DIRECTION FROM CONDUCTOR SIDE TO STIFFENER BOARD SIDE.  
RECOMMENDED CONDUCTOR SPEC THICKNESS OF SOFT COPPER FOIL : 35MICROMETERS OR 50MICROMETERS
- FPCについて :  
補強フィルム材質はポリイミドを推奨いたします。  
接着剤は熱硬化接着剤を推奨いたします。  
RECOMMENDED MATERIAL STIFFENER FILM : POLYIMIDE  
BONDING AGENT : THERMOSETTING BONDING AGENT

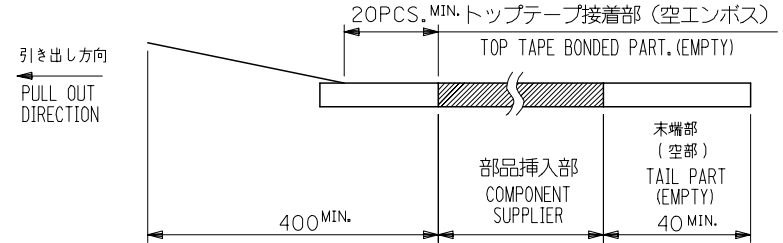
|   |                    |                                       |                   |                                  |                              |   |                        |                        |  |
|---|--------------------|---------------------------------------|-------------------|----------------------------------|------------------------------|---|------------------------|------------------------|--|
| REVISED<br>EC NO: J2012-1496<br>DRWN:KNAGIMO 2012/06/12<br>CHKD:KAKAHASHI 2012/06/12<br>APP:R:KMORI/KAWA 2012/06/12 | DESCRIPTION<br>REV | GENERAL TOLERANCES (UNLESS SPECIFIED) |                   | DIMENSION STYLE<br>MM ONLY       |                              | SCALE<br>---  | DESIGN UNITS<br>METRIC | THIRD ANGLE PROJECTION |  |
|   |                    | 10 UNDER                              | ± ---             | DRAWN BY<br>MNABE I              | DATE<br>'04/07/09            | TITLE<br>0.5 FPC CONN. ZIF SMT R/A UPPER CONTACT SEPARATED GOLD PLATING   |                        |                        |  |
|   |                    | 10 OVER 30 UNDER                      | ± ---             | CHECKED BY<br>KTOJO              | DATE<br>'04/07/09            |   |                        |                        |  |
| 30 OVER   | ± ---              | APPROVED BY<br>NUKITA                 | DATE<br>'04/07/09 | MATERIAL NO.<br>SEE SHEET 1 OF 2 | DOCUMENT NO.<br>SD-54104-077 |   |                        |                        |  |
|   |                    | ANGULAR ± --- °                       |                   | SIZE<br>A3                       |                              | THIS DRAWING CONTAINS INFORMATION THAT IS PROPRIETARY TO MOLEX INCORPORATED AND SHOULD NOT BE USED WITHOUT WRITTEN PERMISSION |                        |                        |  |

10 9 8 7 6 5 4 3 2 1



NOTES

1. 梱包数量：1500個/リール  
NUMBER OF CONNECTORS : 1500PCS/REEL
2. リードテープ長さ LEAD TAPE LENGTH

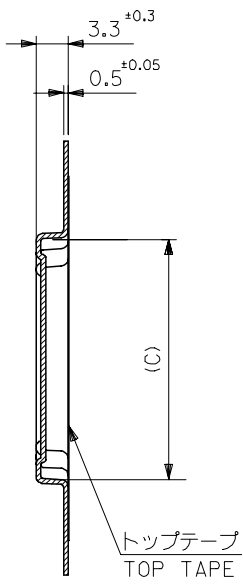


3. 材料 (MATERIAL)  
キャリアテープ (CARRIER TAPE) : ポリプロピレン (POLYPROPYLENE)  
トップテープ (TOPTAPE) : PET , PE , PEF  
リール (REEL) : ポリスチレン (POLYSTYLENE)
4. 本製品は 54104-\*\*-96 のターミナル部分金メッキ品である。

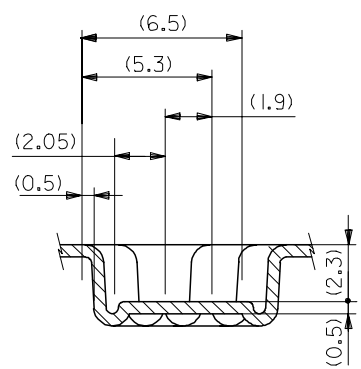
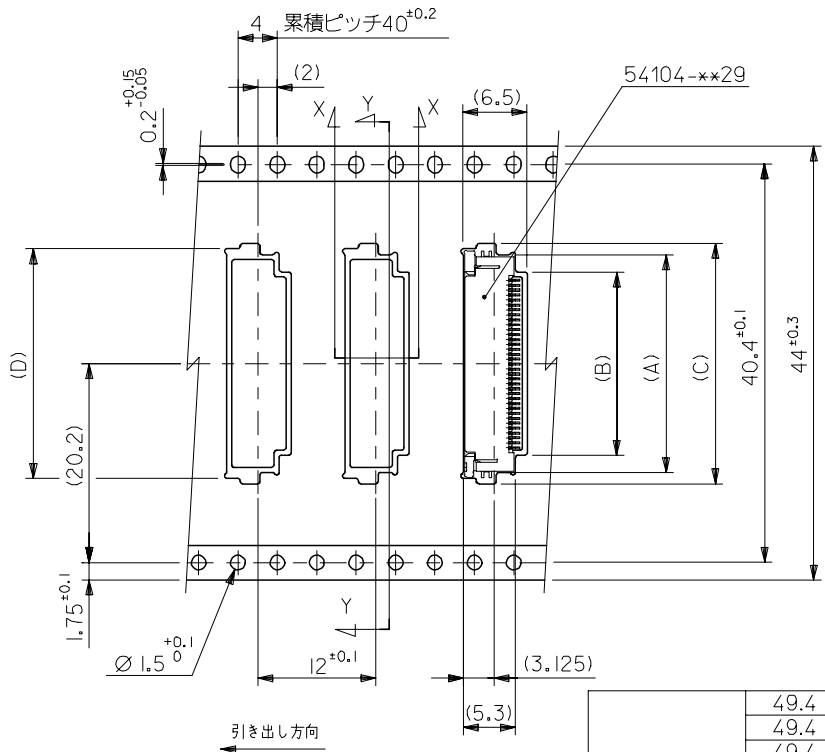
|  |                                       |        |                            |   |   |                        |
|--|---------------------------------------|--------|----------------------------|---|---|------------------------|
| REVISED<br>EC NO: J2007-2009<br>DRWN: YAMADA01 2007/01/23<br>CHKD: KTOYODA 2007/01/25<br>APPR: NUKITA 2007/01/25 | GENERAL TOLERANCES (UNLESS SPECIFIED) |        | DIMENSION STYLE<br>MM ONLY | SCALE<br>2:1  | DESIGN UNITS<br>METRIC  | THIRD ANGLE PROJECTION |
|  | 10 UNDER                              | ± 0.2  | DRAWN BY<br>MNABEI         | DATE<br>'04/07/09   | TITLE<br>EMBOSSD TAPE PACKAGE<br>FOR 54104-**-29<br>-LEAD FREE- |                        |
|  | 10 OVER 30 UNDER                      | ± 0.25 | CHECKED BY<br>KTOJO        | DATE<br>'04/07/09   | MOLEX INCORPORATED  |                        |
|  | 30 OVER                               | ± 0.3  | APPROVED BY<br>NUKITA      | DATE<br>'04/07/09   | DOCUMENT NO.<br>SD-54104-078                                    | SHEET NO.<br>1 OF 2    |
|  | ANGULAR                               | ± 3 °  | MATERIAL NO.<br>SEE CHART  |   |   |                        |
| DRAFT WHERE APPLICABLE MUST REMAIN WITHIN DIMENSIONS   |                                       |        | SIZE<br>A3                 | THIS DRAWING CONTAINS INFORMATION THAT IS PROPRIETARY TO MOLEX INCORPORATED AND SHOULD NOT BE USED WITHOUT WRITTEN PERMISSION |   |                        |

10 9 8 7 6 5 4 3 2 1

F  
E  
D  
C  
B  
A



SECT:Y-Y



|                                |      |      |      |      |      |            |              |      |
|--------------------------------|------|------|------|------|------|------------|--------------|------|
| 44                             | 49.4 | 45.4 | 30.8 | 31.9 | 26.1 | 29.6       | 54104-5031   | 50   |
|                                | 49.4 | 45.4 | 28.8 | 29.9 | 24.1 | 27.6       | 54104-4631   | 46   |
|                                | 49.4 | 45.4 | 28.3 | 29.4 | 23.6 | 27.1       | 54104-4531   | 45   |
|                                | 49.4 | 45.4 | 27.8 | 28.9 | 23.1 | 26.6       | 54104-4431   | 44   |
|                                | 49.4 | 45.4 | 27.3 | 28.4 | 22.6 | 26.1       | 54104-4331   | 43   |
|                                | 49.4 | 45.4 | 25.8 | 26.9 | 21.1 | 24.6       | 54104-4031   | 40   |
|                                | 49.4 | 45.4 | 24.8 | 25.9 | 20.1 | 23.6       | 54104-3831   | 38   |
|                                | 49.4 | 45.4 | 23.8 | 24.9 | 19.1 | 22.6       | 54104-3631   | 36   |
|                                | 49.4 | 45.4 | 23.3 | 24.4 | 18.6 | 22.1       | 54104-3531   | 35   |
|                                | 49.4 | 45.4 | 22.8 | 23.9 | 18.1 | 21.6       | 54104-3431   | 34   |
|                                | 49.4 | 45.4 | 22.3 | 23.4 | 17.6 | 21.1       | 54104-3331   | 33   |
|                                | 49.4 | 45.4 | 21.8 | 22.9 | 17.1 | 20.6       | 54104-3231   | 32   |
| 49.4                           | 45.4 | 20.8 | 21.9 | 16.1 | 19.6 | 54104-3031 | 30           |      |
| キャリアテープ幅<br>CARRIER TAPE WIDTH | F    | E    | D    | C    | B    | A          | MATERIAL NO. | CKT. |

|  |  |                           |                            |                              |  |                        |                           |  |
|--|--|---------------------------|----------------------------|------------------------------|--|------------------------|---------------------------|--|
| REVISED<br>EC NO: J2007-2009<br>DRWN: YAMADA01 2007/01/23<br>CHKD: KTOYODA 2007/01/25<br>APPR: NUKITA 2007/01/25                 | GENERAL TOLERANCES<br>(UNLESS SPECIFIED) |                           | DIMENSION STYLE<br>MM ONLY |                              | SCALE<br>2:1   | DESIGN UNITS<br>METRIC | THIRD ANGLE<br>PROJECTION |  |
|  | 10 UNDER                                 | ±0.2                      | DRAWN BY                   | DATE                         | TITLE<br>EMBOSSED TAPE PACKAGE<br>FOR 54104-***29<br>-LEAD FREE- |                        |                           |  |
|  | 10 OVER 30 UNDER                         | ±0.25                     | MNABE I                    | '04/07/09                    |  |                        |                           |  |
|  | 30 OVER                                  | ±0.3                      | CHECKED BY                 | DATE                         | MOLEX INCORPORATED   |                        |                           |  |
| ANGULAR  | ±3 °                                     | KT0JO                     | '04/07/09                  |                              |  |                        |                           |  |
| DRAFT WHERE APPLICABLE<br>MUST REMAIN<br>WITHIN DIMENSIONS   |  | MATERIAL NO.<br>SEE CHART |                            | DOCUMENT NO.<br>SD-54104-078 |  | SHEET NO.<br>2 OF 2    |                           |  |
| THIS DRAWING CONTAINS INFORMATION THAT IS PROPRIETARY TO MOLEX<br>INCORPORATED AND SHOULD NOT BE USED WITHOUT WRITTEN PERMISSION |  |                           |                            |                              |  |                        |                           |  |